



MODERN ACCESSORY DWELLING UNIT - PLAN 5B

SAN LUIS OBISPO COUNTY, CA

USER LICENSE AGREEMENT

BY USING THESE PERMIT READY ACCESSORY DWELLING UNIT CONSTRUCTION DOCUMENTS, THE USER AGREES TO RELEASE, HOLD HARMLESS, AND INDEMNIFY THE COUNTY OF SAN LUIS OBISPO, ITS ELECTED OFFICIALS AND EMPLOYEES, RRM DESIGN GROUP, AND THE ARCHITECT OR ENGINEER WHO PREPARED THESE CONSTRUCTION DOCUMENTS FROM ANY AND ALL CLAIMS, LIABILITIES, SUITS AND DEMANDS ON ACCOUNT OF ANY INJURY, DAMAGE OR LOSS TO PERSONS OR PROPERTY, INCLUDING INJURY OR DEATH, OR ECONOMIC LOSSES, ARISING OUT OF THE USE OF THESE CONSTRUCTION DOCUMENTS.

THE PLANS ATTACHED HERE ARE APPROVED FOR ONLY USE IN SAN LUIS OBISPO COUNTY. NO DEVIATIONS, ALTERATIONS, OR OPTIONS BEYOND THOSE SPECIFICALLY INDICATED IN THE PLANS ARE ALLOWED WITHOUT PRIOR APPROVAL BY THE ISSUING JURISDICTION AND CHIEF BUILDING OFFICIAL. ANY UNAPPROVED PLAN MODIFICATIONS MAY BE DEVELOPED THROUGH RRM DESIGN GROUP AND THE APPROVING JURISDICTION IF REQUIRED.

SIGNATURE _____ DATE _____

SHEET INDEX

G-052	TITLE SHEET - PLAN 5B
G-101	GENERAL NOTES
G-102	INDEX, ABBREVIATIONS, & SYMBOLS
G-103	2022 SINGLE-FAMILY RESIDENTIAL MANDATORY REQUIREMENTS
G-201	CAL GREEN RESIDENTIAL REQUIREMENTS
G-202	CAL GREEN RESIDENTIAL REQUIREMENTS

AS-105 ARCHITECTURAL SITE PLAN (EXAMPLE & INSTRUCTIONS)

A5-102 FLOOR PLAN
 A5-111 FINISH, MECHANICAL, & ELECTRICAL PLANS
 A5-122 ROOF PLAN & REFLECTED CEILING PLAN
 A5-202 ELEVATIONS & BUILDING SECTIONS

A-904 ARCHITECTURAL DETAILS - LOFT
 A-905 ARCHITECTURAL DETAILS - LOFT
 A-906 ARCHITECTURAL DETAILS - LOFT
 A-921 ARCHITECTURAL DETAILS - LOFT
 A-923 ARCHITECTURAL DETAILS - LOFT
 A-941 METAL ROOF DETAIL REFERENCES

S-101 SHEET INDEX, ABBREVIATIONS & SYMBOLS
 S-102 GENERAL NOTES
 S-103 GENERAL NOTES, SPECIAL INSPECTION & TESTS
 S-201 MODERN PLANS
 S-301 TYPICAL CONCRETE DETAILS
 S-311 CONCRETE DETAILS
 S-312 CONCRETE DETAILS
 S-401 TYPICAL WOOD DETAILS
 S-402 TYPICAL WOOD DETAILS
 S-403 TYPICAL WOOD DETAILS
 S-404 TYPICAL WOOD DETAILS
 S-411 FLOOR FRAMING DETAILS
 S-421 ROOF FRAMING DETAILS

T24 - 505 ENERGY COMPLIANCE - PLAN 5B
 T24 - 506 ENERGY COMPLIANCE - PLAN 5B
 T24 - 507 ENERGY COMPLIANCE - PLAN 5B
 T24 - 508 ENERGY COMPLIANCE - PLAN 5B
 T24 - 513 ENERGY COMPLIANCE - PLAN 5
 Grand total: 35

SPECIAL INSPECTIONS REQUIRED

OWNER/APPLICANT HAS COMPLETED SPECIAL INSPECTION FORM

OWNER/APPLICANT SIGNATURE: _____
SEE SHEET S-103 FOR REQUIRED SPECIAL INSPECTIONS

A REGISTERED DESIGN PROFESSIONAL SHALL COMPLETE THE COUNTY OF SAN LUIS OBISPO STATEMENT OF REQUIRED SPECIAL INSPECTIONS CERTIFICATE (FORM BLD-1032) PRIOR TO PERMIT ISSUANCE. IDENTIFY THE TYPE OF WORK REQUIRING SPECIAL INSPECTIONS IN THE PLANS AND THE INDIVIDUALS OR FIRMS RESPONSIBLE FOR THE SPECIAL INSPECTION ELEMENT(S). FURTHER INSTRUCTIONS ARE IDENTIFIED IN THE STATEMENT OF SPECIAL INSPECTION AGREEMENT (FORM BLD-1031).

VICINITY MAP

*FOR PLANNING STAFF ONLY
INITIAL WHEN SECTION HAS BEEN REVIEWED. STAFF INITIALS: _____

(TO BE PROVIDED BY OWNER/APPLICANT)

PROJECT GENERAL NOTES

THESE NOTES APPLY TO ALL PORTIONS, PHASES AND SUBCONTRACTORS OF THIS PROJECT.

- APPLICABLE CODES AND STANDARDS:
- 2022 CALIFORNIA BUILDING CODE AND ITS APPENDICES AND STANDARDS.
 - 2022 CALIFORNIA PLUMBING CODE AND ITS APPENDICES AND STANDARDS.
 - 2022 CALIFORNIA MECHANICAL CODE AND ITS APPENDICES AND STANDARDS.
 - 2022 CALIFORNIA FIRE CODE AND ITS APPENDICES AND STANDARDS.
 - 2022 CALIFORNIA ELECTRICAL CODE AND ITS APPENDICES AND STANDARDS.
 - 2022 CALIFORNIA BUILDING ENERGY EFFICIENCY STANDARDS.
 - 2022 CALIFORNIA GREEN BUILDING STANDARDS CODE AND ITS APPENDICES AND STANDARDS.

CURRENT COUNTY OF SAN LUIS OBISPO MUNICIPAL CODE.

PROJECT DIRECTORY

*FOR PLANNING STAFF ONLY
INITIAL WHEN SECTION HAS BEEN REVIEWED. STAFF INITIALS: _____

APPLICANT (TO BE PROVIDED BY OWNER/APPLICANT)

ADDRESS: _____ PROJECT ADDRESS: _____
 CONTACT: _____
 EMAIL: _____
 PHONE: _____

ARCHITECT

ADDRESS: 3765 S HIGUERA ST, SUITE 102
 SAN LUIS OBISPO, CA 93401
 CONTACT: RANDY RUSSOM
 EMAIL: RWRUSSOM@RRMDESIGN.COM
 PHONE: P: (805) 543-1794

SUPPORTING DOCUMENTS

*FOR PLANNING STAFF ONLY
INITIAL WHEN SECTION HAS BEEN REVIEWED. STAFF INITIALS: _____

UTILITY, GRADING, AND DRAINAGE PLAN TO BE PROVIDED BY OTHERS.

PV SYSTEM: NOT REQUIRED. SYSTEM EXEMPTION < 1.80KWDC. SEE TITLE 24

PLEASE PROVIDE THE WASTE RECYCLE FORM FILLED OUT AND SIGNED PRIOR TO ISSUANCE. THE OWNER/APPLICANT/CONTRACTOR/PERSON DOING THE WORK IS REQUIRED TO RECYCLE 75% OF ALL PROJECT CONSTRUCTION AND DEMOLITION DEBRIS.

ENERGY COMPLIANCE

PREPARED BY: _____ IN BALANCE GREEN CONSULTING
 DATE PREPARED: _____ SEPTEMBER 27, 2023
 JOB NUMBER: _____ CF1R-PRF-01E

HERS QI: HERS RATER WILL VERIFY THAT THE HOME'S INSULATION WAS INSTALLED PER THE MANUFACTURER'S INSTRUCTIONS AND PER QUALITY INSULATION INSTALLATION (QII) PROTOCOL.

HERS VCHP: HERS RATER WILL NEED TO FOLLOW THE VERIFICATION AND TESTING PROTOCOL FOR THE VARIABLE CAPACITY HEAT PUMP CREDIT REQUIREMENTS, INCLUDING BUT NOT LIMITED TO, VERIFIED REFRIGERANT CHARGE, VERIFIED MINIMUM HSPF AND EER/SEER, AND CAPACITY, DUCTLESS INDOOR UNITS AND THE COMPONENTS ARE WITHIN THE CONDITIONED ENVELOPE, AND AIRFLOW PROVIDED TO ALL HABITABLE SPACES (BDMS AND LIVING SPACE).

SOILS & FOUNDATIONS

*FOR PLANNING STAFF ONLY
INITIAL WHEN SECTION HAS BEEN REVIEWED. STAFF INITIALS: _____

NOTE: THESE PRE-APPROVED PLANS ARE INTENDED FOR FLAT LOTS, WITHOUT THE PRESENCE OF EXPANSIVE OR LIQUEFIABLE SOILS. THE BUILDING OFFICIAL SHALL MAKE THIS DETERMINATION PRIOR TO ISSUING THE PERMIT. A NOTE HAS BEEN ADDED TO THE FOUNDATION PLAN AND FOUNDATION NOTES TO CLEARLY OUTLINE THIS REQUIREMENT. PLEASE REFER TO GENERAL FOUNDATION NOTE 11 ON SS-102 AND FOUNDATION PLAN NOTE 17 ON SS-201.

PROJECT INFORMATION

*FOR PLANNING STAFF ONLY
INITIAL WHEN SECTION HAS BEEN REVIEWED. STAFF INITIALS: _____

PROJECT SCOPE:
1. CONSTRUCTION OF A NEW DETACHED ONE STORY 400 SF ACCESSORY DWELLING UNIT WITH 1 BEDROOM AND 1 BATH.
2. ALL SITE WORK WITHIN THE PROPERTY LINE.
3. ALL THE WORK SHOWN IN THE DRAWINGS AND SPECIFICATIONS.

SITE INFORMATION (TO BE PROVIDED BY COUNTY OF SAN LUIS OBISPO):

STREET ADDRESS: _____
 APN: _____
 ZONING: _____
 LOT SIZE: _____
 LAND USE: _____
 EXISTING USE: _____
 PROPOSED USE: _____

FLOOR AREA RATIO (TO BE PROVIDED BY COUNTY OF SAN LUIS OBISPO)

MAXIMUM FAR: _____
 PROPOSED FAR: _____

LOT COVERAGE (TO BE PROVIDED BY OWNER / APPLICANT)

BUILDING: _____
 HARDSCAPE/PAVING: _____
 LANDSCAPE: _____

SETBACKS (TO BE PROVIDED BY COUNTY OF SAN LUIS OBISPO)

	REQUIRED	PROPOSED
FRONT:		
REAR:	4' - 0" (A.B. NO. 86)	
SIDES:	4' - 0" (A.B. NO. 86)	

BUILDING INFORMATION:

NUMBER OF STORIES: 1
 OCCUPANCY GROUP: R-3 1 & 2 FAMILY DWELLINGS
 CONSTRUCTION TYPE: VB
 SPRINKLERED: SEE FIRE SPRINKLER SECTION ON SHEET
 IF YES, A SEPARATE REVIEW/PERMIT IS REQUIRED FOR AUTO SPRINKLER SYSTEM DESIGN (CRC R313.3)
 MAX. HEIGHT ALLOWED (PER CBC TABLE 504.3) 16' - 0"
 MAX. HEIGHT ALLOWED (PER CALIFORNIA ASSEMBLY BILL NO. 86) 16' - 0"
 MAX. HEIGHT PROPOSED: _____
 ROOF RATING: REFER TO 'WILDLAND-URBAN INTERFACE FIRE AREA' AND 'FIRE HAZARD SEVERITY ZONE LEVEL'
 HIGH FIRE ZONE: _____

UTILITIES

WATER AND SEWER SERVICE: COUNTY OF SAN LUIS OBISPO UTILITIES
 ELECTRICAL SERVICE: PACIFIC GAS & ELECTRIC
 GAS SERVICE: PACIFIC GAS & ELECTRIC
 TELEPHONE SERVICE: _____
 GARBAGE SERVICE: _____
 CABLE SERVICE: _____

BUILDING AREAS

GROUND FLOOR PLAN DWELLING AREA	400 SF
LOFT SLEEPING AREA	63 SF
(OPTIONAL) COVERED PORCH	81 SF

PROJECT CHECKLIST

*FOR PLANNING STAFF ONLY
INITIAL WHEN SECTION HAS BEEN REVIEWED. STAFF INITIALS: _____

WASTE WATER SEWER SEPTIC - A SEPARATE REVIEW & PERMIT IS REQUIRED FOR SEPTIC.

FIRE SPRINKLERS

DOES THE PRIMARY RESIDENCE HAVE NFPA 13D SPRINKLERS?
 NO YES *IF YES, A SEPARATE REVIEW & PERMIT IS REQUIRED FOR AUTOMATIC SPRINKLER SYSTEM DESIGN (CRC R313.3)

REQUIRED AT PROPOSED ADU: COUNTY OF SAN LUIS OBISPO FIRE SPRINKLERS SYSTEM REQUIREMENTS FOR ADU BLD-3044

NO (NOT REQUIRED IF THE PRIMARY RESIDENCE IS UNSPRINKLERED)
 YES (REQUIRED IF THE PRIMARY RESIDENCE IS SPRINKLERED)

FIRE SPRINKLERS NOTES

- IF FIRE SPRINKLERS ARE REQUIRED AT PROPOSED ADU THEN THE FOLLOWING NOTES APPLY.
- AUTOMATIC FIRE SPRINKLER SYSTEM - AN AUTOMATIC FIRE SPRINKLER SYSTEM SHALL BE INSTALLED AS PER NFPA 13D THE MOST CURRENT EDITION. DETAILED SPRINKLER PLANS SHALL BE SUBMITTED TO THE FIRE PREVENTION BUREAU AND APPROVED PRIOR TO INSTALLATION. PLANS AND INSTALLATION MUST BE BY A C16 LICENSED SPRINKLER CONTRACTOR.
- SECTION 903.2.1 GROUP R AN AUTOMATIC SPRINKLER SYSTEM INSTALLED IN ACCORDANCE WITH SECTION 9033 SHALL BE PROVIDED THROUGHOUT ALL BUILDINGS WITH A GROUP R FIRE AREA. THIS INCLUDES SINGLE FAMILY DWELLINGS, MULTI-FAMILY DWELLINGS AND ALL RESIDENTIAL CARE FACILITIES REGARDLESS OF OCCUPANT LOAD.
- SECTION 903.2.1.1 ADDITIONS AN AUTOMATIC SPRINKLER SYSTEM INSTALLED IN ACCORDANCE WITH 903.3 MAY BE REQUIRED TO BE INSTALLED THROUGHOUT STRUCTURES WHEN THE ADDITION IS MORE THAN 50% OF THE EXISTING BUILDING OR WHEN THE ALTERED BUILDING WILL EXCEED A FIRE FLOW OF 1,500 GALLONS PER MINUTE AS CALCULATED PER SECTION 907.3. THE FIRE CODE OFFICIAL MAY REQUIRE AN AUTOMATIC SPRINKLER SYSTEM BE INSTALLED IN BUILDINGS WHERE NO WATER MAIN EXISTS TO PROVIDE THE REQUIRED FIRE FLOW OR WHERE A SPECIAL HAZARD EXISTS SUCH AS: POOR ACCESS ROADS, GRADE, BLUFFS AND CANYON RIMS, HAZARDOUS BRUSH AND RESPONSE TIMES GREATER THAN 5 MINUTES BY A FIRE DEPARTMENT.
- SECTION 903.2.1.2 REMODELS OR RECONSTRUCTION AN AUTOMATIC SPRINKLER SYSTEM INSTALLED IN ACCORDANCE WITH SECTION 903.3 MAY BE REQUIRED IF THE SCOPE OF WORK INCLUDES SIGNIFICANT MODIFICATION TO THE INTERIOR AND/OR ROOF OF THE BUILDING, AND THE COST OF THE INSTALLATION DOES NOT EXCEED 15 PERCENT OF THE CONSTRUCTION COSTS OF THE REMODEL.
- LOCATION AND SIZE OF WATER SERVICE UNDERGROUND SHALL BE INSTALLED AS SHOWN ON APPROVED FIRE SPRINKLER PLANS. A MINIMUM 1 INCH WATER SHALL BE INSTALLED.
- A FIRE UNDERGROUND FLUSH CERTIFICATION SHALL BE REQUIRED AT FINAL INSPECTION.
- A HYDRO INSPECTION OF THE FIRE SPRINKLER SYSTEM IS REQUIRED PRIOR TO FRAME INSPECTION. ONLY THE NEW PIPING SHALL BE TESTED.

ONSITE PARKING REQUIRED

- NONE, EXCEPTION USED:
- THE ADU IS LOCATED WITHIN 1/2 MILE OF PUBLIC TRANSIT.
 - OFF STREET PARKING PERMITS ARE REQUIRED BUT NOT OFFERED TO THE OCCUPANT OF THE ADU.
 - WHEN THERE IS A CAR SHARE VEHICLE LOCATED WITHIN ONE BLOCK OF THE ADU.
- ONE PARKING SPACE (STUDIO OR 1-BEDROOM ADU)
 TWO PARKING SPACES (2-BEDROOM ADU)

WILDLAND-URBAN INTERFACE FIRE AREA

- PORTIONS OF THE COUNTY OF SAN LUIS OBISPO COUNTY ARE LOCATED IN WITHIN THE WILDLAND-URBAN INTERFACE FIRE AREA (AS DEFINED BY CRC R337.2).
 a. AREA DEFINED BY STATE AS A "FIRE HAZARD SEVERITY ZONE" (FHSZ).
 b. AREA DESIGNATED BY ENFORCING AGENCY TO BE AT A SIGNIFICANT RISK FROM WILDFIRES.
- MORE INFORMATION ABOUT FIRE HAZARD SEVERITY ZONES, INCLUDING AN INTERACTIVE MAP, BUILDING MATERIALS LISTINGS, AND WUI REQUIREMENTS CAN BE FOUND ON THE OFFICE OF THE STATE FIRE MARSHAL WEBSITE (HTTPS://OSFM.FIRE.CA.GOV).
- AN ADU WITHIN THE WILDLAND-URBAN INTERFACE FIRE AREA SHALL COMPLY WITH THE CRC SECTION R337.
- THIS PROTOTYPE PLAN PROVIDES DESIGNS THAT COMPLY WITH THE PROVISIONS REQUIRED BY THE CRC SECTION R337.

FIRE HAZARD SEVERITY ZONE LEVEL

- NONE MODERATE HIGH VERY HIGH
- IN ACCORDANCE WITH THE CFC SECTION 4904, STRUCTURES LOCATED IN THE VERY HIGH FIRE HAZARD SEVERITY ZONE SHALL PROVIDE & MAINTAIN A FUEL MODIFICATION ZONE. FUEL MODIFICATION ZONES: THE APPLICANT SHALL PROVIDE & MAINTAIN FIRE/FUEL BREAKS TO THE SATISFACTION OF THE LOCAL FIRE DEPARTMENT. FIRE/FUEL BREAKS SHALL BE SHOWN ON THE GRADING, MAP, AND BUILDING PLANS.

OPTIONS SELECTIONS

*OWNER OR APPLICANT REQUIRED TO PROVIDE SELECTIONS FOR EACH OF THE FOLLOWING CATEGORIES. ADDITIONALLY, OWNER/APPLICANT TO PROVIDE MANUFACTURER, COLOR/FINISH SPECIFICATIONS, & W.U.I. PRODUCT LISTING (WHEN APPLICABLE) IN THE MATERIALS LEGEND.
NOTE: OWNER/APPLICANT TO STRIKE THROUGH UNSELECTED OPTIONS THROUGHOUT THE PLAN SET WHEN APPLICABLE FOR CLARITY.

FRONT PORCH (SELECT ONE) A) FRONT (COVERED) PORCH B) NO FRONT PORCH

RAKE & EAVE DETAILS (SELECT ONE) A) ENCLOSED B) OPEN EXPOSED

EXTERIOR RAKES, EAVES, & PORCH/OVERHANG SOFFIT MATERIALS (MARK ALL THAT APPLY)

- A) 2X TOUNGE & GROOVED (SOLID SAWN LUMBER)
 B) FIBER CEMENT SOFFIT PANELS
 C) HARDBOARD SOFFIT PANELS
 D) EXT. GRADE FIRE RETARDANT TREATED SHEATHING

WALL COVERINGS (MARK ALL THAT APPLY)

NOTE: WALL COVERINGS TO MEET ALL REQUIREMENTS OF CRC TABLE R703.3(1) FOR MIN. ATTACHMENT AND MIN. THICKNESS REQUIREMENTS.

- B) FIBER CEMENT HORIZONTAL LAP SIDING
 F) EXT. GRADE WOOD HORIZONTAL LAP SIDING
 G) EXT. GRADE WOOD PANEL SIDING

EXTERIOR TRIM ELEMENTS (SELECT ONE) A) FIBER CEMENT B) EXT. GRADE WOOD

BASE TRIM 24/A-904 (SELECT ONE) A) YES B) NO

EXTERIOR LIGHT (SELECT ONE) A) HAMPTON BAY B) ROBERT STEVENSON

ATTIC VENTING METHOD (SELECT ONE)
 A) RIDGE & SOFFIT ATTIC VENTING; SEE: 43/A-923 42/A-923 54/A-923
 B) DORMER VENTS; SEE: 41/A-923 24/A-923

DOOR MATERIAL (SELECT ONE)

- A) VINYL B) FIBERGLASS C) WOOD D) ALUMINUM CLAD WOOD

WINDOW MATERIAL (SELECT ONE)

- A) VINYL B) FIBERGLASS C) WOOD D) ALUMINUM CLAD WOOD



THESE PLANS ARE PROVIDED BY THE COUNTY OF SAN LUIS OBISPO AS PART OF THE PRE-APPROVED ADU PROGRAM AND ARE PUBLIC DOMAIN. THERE CANNOT BE A CHARGE TO PROVIDE THESE PLANS. NO ALTERATIONS TO THESE PLANS ARE ALLOWED. ALL ALTERATIONS MUST BE DONE UNDER A SEPARATE PERMIT ONCE THE BUILDING PERMIT FOR THE ADU HAS BEEN ISSUED AND FINAL INSPECTION COMPLETED. IF YOU DO NOT HAVE THE CONSTRUCTION KNOWLEDGE AND EXPERIENCE TO CONTRUCT THESE PLANS WITHOUT FURTHER DETAILS, IT IS RECOMMENDED YOU HIRE A CONTRACTOR TO DO THE CONSTRUCTION. THE CITY WILL NOT PROVIDE FURTHER INFORMATION OR DETAILS AND BUILDING INSPECTORS WILL NOT PROVIDE STEP BY STEP INSTRUCTIONS IN THE FIELD.

COUNTY OF SAN LUIS OBISPO
ACCESSORY DWELLING UNIT
SAN LUIS OBISPO, CA

TITLE SHEET - PLAN 5B

DATE
11/28/2023

SHEET

G-052

PROJECT GENERAL NOTES

- ALL WORK DESCRIBED IN THE DRAWINGS SHALL BE VERIFIED FOR DIMENSION, GRADE, EXTENT AND COMPATIBILITY WITH EXISTING SITE CONDITIONS. ANY DISCREPANCIES AND UNEXPECTED CONDITIONS THAT AFFECT OR CHANGE THE WORK DESCRIBED IN THE CONTRACT DOCUMENTS SHALL BE BROUGHT TO THE ARCHITECT'S ATTENTION IMMEDIATELY. DO NOT PROCEED WITH THE WORK IN THE AREA OF DISCREPANCIES UNTIL ALL SUCH DISCREPANCIES ARE RESOLVED. IF THE CONTRACTOR CHOOSES TO DO SO, HE/SHE SHALL BE PROCEEDING AT HIS/HER OWN RISK.
- DIMENSIONS SHOWN SHALL TAKE PRECEDENCE OVER DRAWING SCALE OR PROPORTION. LARGER SCALE DRAWINGS SHALL TAKE PRECEDENCE OVER SMALLER SCALE DRAWINGS.
- IN THE EVENT OF THE UNFORESEEN ENCOUNTER OF MATERIALS SUSPECTED TO BE OF AN ARCHAEOLOGICAL OR PALEONTOLOGICAL NATURE, ALL GRADING AND EXCAVATION SHALL CEASE IN THE IMMEDIATE AREA AND THE CONTRACTOR SHALL NOTIFY THE OWNER. THE FIND SHALL BE LEFT UNTOUCHED UNTIL AN EVALUATION BY A QUALIFIED ARCHAEOLOGIST OR PALEONTOLOGIST IS MADE.
- CONTRACTOR IS TO BE RESPONSIBLE FOR BEING FAMILIAR WITH THESE DOCUMENTS INCLUDING ALL CONTRACT REQUIREMENTS.
- GRADING PLANS, DRAINAGE IMPROVEMENTS, ROAD AND ACCESS REQUIREMENTS AND ENVIRONMENTAL HEALTH CONSIDERATIONS SHALL COMPLY WITH ALL LOCAL ORDINANCES.
- FIRE SPRINKLER SHOP DRAWINGS & CALCULATIONS SHALL BE SUBMITTED TO BUILDING DEPT. & APPROVED BY FIRE DEPT. PRIOR TO INSTALLATION.
- SHOP WELDS MUST BE PERFORMED BY A LICENSED FABRICATORS SHOP.
- THE FOLLOWING ITEMS SHOWN ON THE DRAWINGS ARE OWNER PROVIDED, OWNER INSTALLED. UTILITIES PROVIDED FOR THESE ITEMS WILL BE PROVIDED BY THE CONTRACTOR. CONTRACTOR TO COORDINATE INSTALLATION WITH OWNER.
- TV/DVD SYSTEMS
- ICE MACHINE
- VENDING MACHINE
- REFRIGERATOR
- MICROWAVE
- OSHA PERMITS ARE REQUIRED FOR VERTICAL CUTS 5' OR OVER
- CONTRACTOR TO PROVIDE COMPLETE DETAILS OF ENGINEERED TEMPORARY SHORING OR SLOT CUTTING PROCEDURES ON PLANS. CALL FOR INSPECTION BEFORE EXCAVATION BEGINS.
- THE SOILS ENGINEER IS TO APPROVE THE KEY OR BOTTOM AND LEAVE A CERTIFICATE ON THE SITE FOR THE GRADING INSPECTOR. THE GRADING INSPECTOR IS TO BE NOTIFIED BEFORE ANY GRADING BEGINS, AND FOR BOTTOM INSPECTION, BEFORE FILL IS PLACED. FILL MAY NOT BE PLACED WITHOUT APPROVAL OF THE GRADING INSPECTOR.
- CONTRACTOR TO REVIEW CALIFORNIA GREEN CODE REQUIREMENTS FOR CONTRACTOR REQUIREMENTS.
- A SEPARATE OFFICER, ACCESS EASEMENT/AGREEMENT, AND/OR RECIPROCAL ACCESS EASEMENT/AGREEMENT MAY BE REQUIRED TO INSURE THAT THE PROPOSED PRIVATE ACCESS ROADWAY WILL REMAIN OPEN TO THROUGH TRAFFIC AND EMERGENCY VEHICLES PRIOR TO FINAL OF BUILDING PERMIT.
- PROVIDE FIRE ALARM SYSTEM. FIRE ALARM SYSTEM SHALL ACTIVATE UPON FIRE SPRINKLER SYSTEM OPERATION

SITE NOTES

- CALL BEFORE YOU DIG!** CONTACT UNDERGROUND SERVICE ALERT (USA) AT 1-800-227-2600 AT LEAST 2 WORKING DAYS BEFORE EXCAVATING.
- UNLESS OTHERWISE NOTED ON THE PLANS, FINISHED GROUND SURFACES SHALL BE GRADED TO DRAIN THE FINISHED SITE PROPERLY WITHIN 10-FOET OF ANY BUILDING FOUNDATION WITH A SLOPE OF 5% AWAY FROM ANY BUILDING OR STRUCTURE. ALL EXTERIOR HARDSCAPE WITHIN 10-FOET OF A BUILDING FOUNDATION SHALL BE INSTALLED WITH A 2% MINIMUM SLOPE AWAY FROM ANY BUILDING OR STRUCTURE. DRAINAGE SWALES SHALL BE A 1.5% MINIMUM SLOPE. ALL GRADED SLOPES SHALL HAVE A MAXIMUM SLOPE OF 3H TO 1V (33%), UNLESS SHOWN OTHERWISE ON THE PLANS.
- LOT GRADING SHALL CONFORM AT THE PROPERTY LINES AND SHALL NOT SLOPE TOWARD PROPERTY LINES IN A MANNER WHICH WOULD CAUSE STORM WATER TO FLOW ONTO NEIGHBORING PROPERTY. HISTORIC DRAINAGE PATTERNS SHALL NOT BE ALTERED IN A MANNER TO CAUSE DRAINAGE PROBLEMS TO NEIGHBORING PROPERTY.
- NEW RAINWATER DOWNSPOUTS SHALL BE DISCONNECTED AND DIRECT RUNOFF TO A LANDSCAPED AREA. DOWNSPOUTS MAY BE CONNECTED TO A POP-UP DRAINAGE EMITTER IN THE LANDSCAPED AREA OR MAY DRAIN TO SPLASH BLOCKS OR COBBLESTONES THAT DIRECT WATER AWAY FROM THE BUILDING.
- CONTRACTOR TO FIELD VERIFY EXISTING DRAINAGE. IF THE EXISTING DRAINAGE SYSTEM IS DAMAGED DURING EXCAVATION, CONTRACTOR SHALL REPAIR AND/OR REROUTE DRAINAGE SYSTEM AND CONNECT TO EXISTING DRAINAGE FACILITY AS NECESSARY.
- EXISTING PUBLIC IMPROVEMENTS THAT ARE DAMAGED BY THE PROJECT CONSTRUCTION SHALL BE REPAIRED OR REPLACED. EXISTING DAMAGED PUBLIC IMPROVEMENTS WITHIN THE PROJECT LIMITS SHALL BE REPAIRED OR REPLACED EVEN IF THE DAMAGE OCCURRED PRIOR TO THE START OF CONSTRUCTION.
- EROSION AND SEDIMENT CONTROL FACILITIES SHALL BE INSTALLED PRIOR TO OCTOBER 1 AND SHALL BE MAINTAINED DAILY UNTIL APRIL 30. THESE FACILITIES SHALL CONTROL AND CONTAIN EROSION-CAUSED SILT DEPOSITS AND PROVIDE FOR THE SAFE DISCHARGE OF SILT-FREE STORM WATERS INTO EXISTING STORM DRAIN FACILITIES. EROSION AND SEDIMENT CONTROL SUPPLIES MUST BE KEPT ON-SITE DURING THE DRY SEASON AND EMPLOYED, AS NECESSARY PRIOR TO AND DURING RAIN EVENTS.
- SEASONALLY APPROPRIATE BEST MANAGEMENT PRACTICES FOR THE FOLLOWING SITE MANAGEMENT CATEGORIES MUST BE IMPLEMENTED YEAR-ROUND: 1) EROSION CONTROL; 2) RUN-ON AND RUN-OFF CONTROL; 3) SEDIMENT CONTROL; 4) GOOD SITE MANAGEMENT; AND 5) NON-STORMWATER MANAGEMENT.
- AN ENCROACHMENT PERMIT WILL BE REQUIRED FOR ANY CONSTRUCTION ACTIVITY WITHIN A PUBLIC STREET RIGHT OF WAY THAT HAS BEEN ACCEPTED BY THE CITY/COUNTY.

FLOOR PLAN NOTES

- WATER HEATER** (REFER TO BUILDING ENERGY ANALYSIS REPORT):
 - ALL DOMESTIC HOT WATER PIPING SHALL BE INSULATED. (2022 CPC 609.12.1)
 - PIPES UP TO 2 INCHES IN DIAMETER: INSULATION WALL THICKNESS NOT LESS THAN DIAMETER OF PIPE. (2022 CPC 609.12.2)
 - PIPES GREATER THAN 2 INCHES IN DIAMETER: INSULATION WALL THICKNESS NOT LESS THAN 2 INCHES. (2022 CPC 609.12.2)
 - EXCEPTIONS:**
 - PIPING THAT PENETRATES FRAMING MEMBERS SHALL NOT BE REQUIRED TO HAVE PIPE INSULATION FOR THE DISTANCE OF THE FRAMING PENETRATION. (2022 CPC 609.12.2)
 - HOT WATER PIPING BETWEEN THE FIXTURE CONTROL VALVE OR SUPPLY STOP AND THE FIXTURE OR APPLIANCE SHALL NOT BE REQUIRED TO BE INSULATED. (2022 CPC 609.12.2)
- PROVIDE A TEMPERATURE AND PRESSURE RELIEF VALVE WITH A FULL SIZE DRAIN OF GALVANIZED STEEL OR HARD DRAWN COPPER TO THE OUTSIDE OF THE BUILDING WITH THE END OF THE PIPE PROTRUDING 6" MINIMUM @ 2' MAX. ABOVE GRADE POINTING DOWNWARD TO THE TERMINATION - UNTHREADED.
- COMBUSTION AIR PER MANUFACTURE REQUIREMENTS.
- CLEARANCES PER MANUFACTURE REQUIREMENTS.
- INSULATION FOR PIPING AND TANKS** (2022 CEC 105.0(1)):
 - WATER PIPING:** HOT WATER HEATING SYSTEM PIPING, AND SPACE-CONDITIONING SYSTEM LINE INSULATION THICKNESS AND CONDUCTIVITY, PIPING SHALL BE INSULATED AS FOLLOWS:
 - DOMESTIC HOT WATER PIPING. SEE NOTES ABOVE.
 - PIPING FOR SPACE-CONDITIONING SYSTEMS, SOLAR WATERHEATER SYSTEM COLLECTOR LOOP. SEE 2022 CEC SECTION 120.3(c).
 - EXCEPTION:**
 - PIPING SURROUNDED WITH A MINIMUM OF 1 INCH OF INSULATION, 2 INCHES OF CRAWLSPACE INSULATION, OR 4 INCHES OF ATTIC INSULATION SHALL NOT BE REQUIRED TO HAVE PIPE INSULATION.
 - INSULATION PROTECTION:** PIPE INSULATION SHALL BE PROTECTED FROM DAMAGE DUE TO SUNLIGHT, MOISTURE, EQUIPMENT MAINTENANCE AND WIND. PROTECTION SHALL, AT MINIMUM, INCLUDE THE FOLLOWING (2022 CEC SECTION 120.3(b)):
 - PIPE INSULATION EXPOSED TO WEATHER SHALL BE PROTECTED BY A COVER SUITABLE FOR OUTDOOR SERVICE. THE COVER SHALL BE WATER RETARDANT AND PROVIDES SHIELDING FROM SOLAR RADIATION THAT CAN CAUSE DEGRADATION OF THE MATERIAL. ADHESIVE TAPE SHALL NOT BE USED TO PROVIDE THIS PROTECTION.
 - PIPE INSULATION COVERING CHILLED WATER PIPING AND REFRIGERANT SUCTION PIPING LOCATED OUTSIDE THE CONDITIONED SPACE SHALL INCLUDE, OR BE PROTECTED BY, A CLASS I OR CLASS II VAPOR RETARDER. ALL PENETRATIONS AND JOINTS SHALL BE SEALED.
 - PIPE INSULATION EXPOSED BELOW GRADE MUST BE INSTALLED IN A WATER PROOF AND NONCRUSHABLE CASING OR SLEEVE.
- WEATHER BARRIERS.**
 - NOT FEWER THAN ONE-LAYER WATER-RESISTIVE BARRIER SHALL BE APPLIED OVER STUDS OR SHEATHING OF ALL EXTERIOR WALLS CONTINUOUS FROM TOP OF WALLS AND TERMINATED AT PENETRATIONS AND BUILDING APPENDAGES WITH FLASHING. MINIMUM NO. 15 FELT COMPLYING WITH ASTM D26, TYPE 1.
 - PROVIDE (2) LAYERS OF GRADE D PAPER OR EQUAL WHEN PLASTER IS INSTALLED OVER WOOD BASED SHEATHING. (2022 CRC R703.7.3)
- DOMESTIC RANGE:** VENTILATION DUCTS SHALL HAVE SMOOTH INTERIOR SURFACES. (2022 CMC 504.3)
- CLOTHES DRYER:** MOISTURE EXHAUST DUCTS SHALL TERMINATE OUTSIDE THE BUILDING AND HAVE A BACK-DRAFT DAMPER. EXHAUST DUCT IS LIMITED TO 14'-0" W/ TWO ELBOWS. THIS SHALL BE REDUCED 2'-0" FOR EVERY ELBOW IN EXCESS OF TWO. MIN. DIA. 4", SMOOTH, METAL DUCT. (2022 CMC 504.4)
- ALL MANUFACTURED EQUIPMENT** SHALL BE INSTALLED AS PER MANUFACTURER'S SPECIFICATION AND DIMENSIONS VERIFIED WITH INSTALLATION REQUIREMENTS. ALL MANUFACTURER'S INSTALLATION INSTRUCTIONS SHOULD BE ON SITE FOR INSPECTIONS.
- SHOWERS AND TUB-SHOWER COMBINATIONS:** CONTROL VALVES MUST BE PRESSURE BALANCED OR THERMOSTATIC MIXING VALVES. (2022 CPC 417.0)
- WET-ROOM GLAZING:** PROVIDE TEMPERED GLAZING IN DOORS AND ENCLOSURES FOR SHOWERS, BATHTUBS, SAUNAS, STEAM ROOMS, HOT TUBS & SIMILAR USES WHERE THE BOTTOM EXPOSED EDGE IS LESS THAN 80-INCHES ABOVE A STANDING SURFACE. (2022 CRC R308.4.5)
- HEATING AND AIR-CONDITIONING SYSTEM DESIGN:** SHALL CONFORM TO CALGREEN SEC. 4.507, ENVIRONMENTAL COMFORT.
- WATER CLOSETS.**
 - CLEARANCES: 24" MIN. FRONT, 30" MIN COMPARTMENT WIDTH.
 - PROVIDE A MIN 3 SF WINDOW, 1/2 OF WHICH SHALL BE OPENABLE OR AN EXHAUST FAN 50 CFM FOR INTERMITTENT OR 20 CFM FOR CONTINUOUS, DIRECT VENT TO OUTSIDE WITH BACKDRAFT DAMPER. (2022 CRC R303.3)
 - NEW WATER CLOSETS AND ASSOCIATED FLUSHMETER VALVES, IF ANY SHALL USE NO MORE THAN 1.28 GALLONS PER FLUSH AND SHALL MEET PERFORMANCE STANDARDS ESTABLISHED BY THE AMERICAN SOCIETY OF MECHANICAL ENGINEERS STANDARD A112.19.2. H & S CODE, SECTION 17921.3(B).
- BATH ACCESSORIES:** PROVIDE MINIMUM 1 TOILET PAPER HOLDER AND 1 TOWEL BAR PER BATHROOM. PROVIDE NECESSARY BLOCKING FOR TOILET PAPER HOLDER AND TOWEL BARS.
- WHOLE-BUILDING MECHANICAL VENTILATION SYSTEM** PER ASHRAE STANDARD 62.2. PROVIDE THE COUNTY INSPECTOR THE FOLLOWING INFORMATION AT OR BEFORE THE TIME OF INSPECTION:
 - CALCULATIONS FOR REQUIRED VENTING RATES.
 - APPLICATION ADJUSTMENTS FOR INTERMITTENT SYSTEMS IF APPLICABLE.
 - DUCT DIAMETER AND MAXIMUM DUCT LENGTH PER ASHRAE 62.2 TABLE 7.1.
 - TYPE OF SYSTEM USED AND PROVIDE COMPLETED CF-6R-MECH-05 FORM.
 - FANS SHALL BE A MAXIMUM OF 1 SONE.
 - FANS SHALL BE PROVIDED A COVER OF R-4.2 WHEN OFF.
- ATTIC ACCESS:**
 - PROVIDE 30" MIN. HEADROOM IN THE ATTIC SPACE (2019 CRC R807.1)
 - IN ATTIC, PROVIDE LIGHT AND SWITCH, AND ALL NECESSARY ELECTRICAL. PROVIDE UNOBSTRUCTED PASSAGEWAY 24" WIDE OF SOLID CONTINUOUS FLOORING FROM ACCESS TO EQUIPMENT AND ITS CONTROLS. ALSO PROVIDE UNOBSTRUCTED WORK SPACE IN FRONT OF EQUIPMENT 30" DEPTH MINIMUM. PROVIDE COMBUSTION AIR AND CONDENSATE LINE TO OUTSIDE OR AN APPROVED DRAIN FOR OPTIONAL AIR CONDITIONING.
 - BUILDINGS WITH COMBUSTIBLE CEILING OR ROOF CONSTRUCTION SHALL HAVE AN ATTIC ACCESS OPENING TO ATTIC AREAS THAT EXCEED 30 SQUARE FEET AND HAVE A VERTICAL HEIGHT OF 30-INCHES OR GREATER. THE VERTICAL HEIGHT SHALL BE MEASURED FROM TOP OF THE CEILING FRAMING MEMBERS TO THE UNDERSIDE OF THE ROOF FRAMING MEMBERS.
 - THE ROUGH-FRAMED OPENING SHALL NOT BE LESS THAN 22" X 30" AND SHALL BE LOCATED NOT OVER 20 FEET FROM THE EQUIPMENT. (2022 CRC R807.1)
 - PROVIDE A 120V RECEPTACLE AND A LIGHT NEAR THE EQUIPMENT WITH LIGHT SWITCH LOCATED AT THE ATTIC ACCESS.

ELECTRICAL NOTES

- CONFORM WITH CURRENT CEC, NFPA, MFR'S, AND LOCAL REQUIREMENTS.
- ELECTRICAL SYSTEMS, DOMESTIC WATER HEATING SHALL BE PROVIDED PER NEC ARTICLE 250-81.
- ALL MATERIALS TO BE U.L. LABELED.
- METER: "SQUARE D", 120 VOLT/240 VOLT, 1 AND 3 WIRE GROUND OR EQUAL.
- ELECTRICAL SUB PANEL: FLUSH MOUNT, 30" CLEARANCE, 100 AMP.
- CONDUCTORS: TW, THW, COPPER, MINIMUM 14 AT LIGHTING, 12 AT OTHER CIRCUITS.
- LAMPS: FOR GENERAL LIGHTING IN KITCHENS AND BATH SHALL HAVE AN EFFICIENCY OF NOT LESS THAN 40 LUMENS/WATT. ALL SOCKETS FILLED WITH SOFT-WHITE, 55 WATT FLUORESCENT: COOL WHITE, RS, SOUND RATING "A", 40 WATT (U.O.N.)
- ALL ELECTRICAL OUTLETS INSTALLED IN BATHROOMS, GARAGES, BASEMENTS, CRAWL SPACES, OUTDOORS, KITCHEN COUNTERS, AND AT WET BAR SINKS SHALL HAVE GROUND-FAULT CIRCUIT-INTERRUPTER PROTECTION IN COMPLIANCE WITH NEC ART. 210-8, CONSISTING OF 125 VOLT, SINGLE-PHASE, 15- AND 20- AMPERE RECEPTACLES.
- ALL BATHROOM RECEPTACLE OUTLETS SHALL BE SUPPLIED BY A MINIMUM OF ONE 120-VOLT, 20-AMPERE BRANCH CIRCUIT. SUCH CIRCUITS SHALL HAVE NO OTHER OUTLETS. THIS DEDICATED CIRCUIT MAY SERVE MORE THAN ONE BATHROOM. (2022 CEC 210.11(C))
- PROVIDE ELECTRIC OUTLET AND PUSH-BUTTON WIRE FOR GARAGE OPENER (INCLUDE OPENER).
- THERMOSTAT SHALL BE A PROGRAMMABLE TYPE, HONEYWELL TH8320 OR EQUAL.
- RECESSED LUMINAIRES INSTALLED IN AREAS TO RECEIVE INSULATION SHALL BE "IC" LUMINAIRES AND ARE CERTIFIED AND LABELED AS AIRTIGHT TO THE STANDARDS PRESCRIBED BY THE RESIDENTIAL ENERGY CODE.
- CEILING SUSPENSION SYSTEMS SHALL BE SUPPORTED INDEPENDENTLY OF AN OUTLET BOX OR BY LISTED OUTLET BOX OR OUTLET BOX SYSTEMS IDENTIFIED FOR THE USE AND INSTALLED IN ACCORDANCE WITH 2022 CEC 314.27(C) (2022 CEC 422.18).
- ALL LUMINAIRES, LAMP HOLDERS, AND RETROFIT KITS SHALL BE LISTED (2022 CEC 406.2)
- ALL 120-VOLT, SINGLE PHASE 15- AND 20- AMPERE BRANCH CIRCUITS SUPPLYING OUTLETS INSTALLED IN DWELLING UNIT KITCHENS, FAMILY ROOMS, LIVING ROOMS, DINING ROOMS, PARLORS, LIBRARIES, DEN'S, BEDROOMS, SUNROOMS, RECREATION ROOMS, CLOSETS, HALLWAYS OR SIMILAR ROOMS OR AREAS SHALL BE PROTECTED BY A LISTED ARC-FAULT CIRCUIT INTERRUPTER, COMBINATION-TYPE, INSTALLED TO PROVIDE PROTECTION OF THE BRANCH CIRCUIT. (2022 CEC 210-12(A)).
- ALL NON-LOCKING TYPE 125-VOLT, 15 AND 20 AMPERE RECEPTACLES IN A DWELLING UNIT SHALL BE LISTED TAMPER-RESISTANT RECEPTACLES. EXCEPTIONS: (1) RECEPTACLES MORE THAN 6' ABOVE THE FLOOR, (2) RECEPTACLES PART OF A LUMINAIRE OR APPLIANCE, (3) A SINGLE RECEPTACLE OR A DUPLEX RECEPTACLE FOR TWO APPLIANCES THAT ARE NOT EASILY MOVED AND LOCATED WITHIN DEDICATED SPACE AND ARE CHORD-AND-PLUG CONNECTED AS PER CEC 400.7, AND (4) NON-GROUNDING RECEPTACLES USED FOR REPLACEMENTS AS PERMITTED IN CEC 406.4(D)(2)(A).
- HIGH EFFICACY LUMINAIRES OTHER THAN OUTDOOR HID LIGHTING CONTAIN ONLY ONLY HIGH EFFICACY LAMPS AS OUTLINED IN TABLE 150-C OF THE RESIDENTIAL ENERGY CODE AND NOT CONTAIN A MEDIUM SCREW BASE SOCKET.
- RECEPTACLES FOR LAMPS 13 WATTS OR GREATER SHALL BE ELECTRONIC AND HAVE AN OUTPUT FREQUENCY NO LESS THAN 20 KHZ.
- SMOKE DETECTORS SHALL RECEIVE THEIR PRIMARY POWER FROM THE BUILDING WIRING AND PROVIDED WITH A BATTERY BACK-UP. ALL SMOKE DETECTORS SHALL BE INTERCONNECTED. ALL SMOKE DETECTORS SHALL MAINTAIN A MINIMUM 3 FOOT CLEARANCE TO HVAC SUPPLY OR RETURN AIR REGISTERS.
- CARBON MONOXIDE ALARMS SHALL RECEIVE THEIR PRIMARY POWER FROM THE BUILDING WIRING AND PROVIDED WITH A BATTERY BACK-UP. ALL CARBON MONOXIDE ALARMS SHALL BE INTERCONNECTED.
- LIGHTS IN OTHER THAN KITCHENS, BATHROOMS, GARAGES, LAUNDRY ROOMS, AND UTILITY ROOMS MUST BE CONTROLLED BY A DIMMER OR CONTROLLED BY A MANUAL-ON OCCUPANT SENSOR. SUCH SENSORS SHALL BE CAPABLE OF AUTOMATICALLY TURNING OFF THE LIGHTS NO MORE THAN 30 MINUTES AFTER THE AREA HAS BEEN VACATED.
- EXHAUST FANS WILL BE CONTROLLED BY A HUMIDISTAT PER THE GREEN BUILDING STANDARDS CODE SECTION 4.506. EXHAUST FANS MUST BE SWITCHED SEPARATELY FROM LIGHTS (CEngC 150.0(k)(2)).
- OUTDOOR LIGHTING PERMANENTLY MOUNTED TO A RESIDENTIAL BUILDING OR TO OTHER BUILDINGS ON THE SAME LOT SHALL BE HIGH EFFICACY AND SHALL MEET THE REQUIREMENTS IN ITEM I AND THE REQUIREMENTS IN EITHER ITEM II OR ITEM III:
 - CONTROLLED BY A MANUAL ON AND OFF SWITCH THAT PERMITS THE AUTOMATIC ACTIONS OF ITEMS ii OR iii BELOW, AND
 - CONTROLLED BY A PHOTOCELL AND EITHER A MOTION SENSOR OR AN AUTOMATIC TIME SWITCH CONTROL OR
 - CONTROLLED BY AN ASTRONOMICAL TIME CLOCK CONTROL.

PLUMBING NOTES

- CONFORM WITH CURRENT CPC AND LOCAL REQUIREMENTS.
- PIPING:
 - DOMESTIC WATER (WITHIN BUILDING): COPPER OR PEX PIPE OR APPROVED EQUAL
 - GAS, EXPOSED TO WEATHER: GALVANIZED
 - AIR CHAMBERS: 12" LONG CAPPED NIPPLE AT END OF EACH BRANCH TO EACH FIXTURE.
 - BUILDINGS WITH COMBUSTIBLE CEILING OR ROOF CONSTRUCTION SHALL HAVE AN ATTIC ACCESS OPENING TO ATTIC AREAS THAT EXCEED 30 SQUARE FEET AND HAVE A VERTICAL HEIGHT OF 30-INCHES OR GREATER. THE VERTICAL HEIGHT SHALL BE MEASURED FROM TOP OF THE CEILING FRAMING MEMBERS TO THE UNDERSIDE OF THE ROOF FRAMING MEMBERS.
 - THE ROUGH-FRAMED OPENING SHALL NOT BE LESS THAN 22" X 30" AND SHALL BE LOCATED NOT OVER 20 FEET FROM THE EQUIPMENT. (2022 CRC R807.1)
 - PROVIDE A 120V RECEPTACLE AND A LIGHT NEAR THE EQUIPMENT WITH LIGHT SWITCH LOCATED AT THE ATTIC ACCESS.
- WATER SERVICE PIPE SHALL BE PER CIVIL PLANS OR AS REQUIRED BY THE JURISDICTION.
- WATER METER: PER WATER DISTRICT (REFER SIZE W/ FIRE SPRINKLER PLANS IF APPLICABLE)
- SHOWER HEADS AND FAUCETS: FLOW RATES PER 2022 CGBSC SECTION 4.303
- PIPE INSULATION REFER TO TITLE 24 - MANDATORY MEASURES - SPACE CONDITIONING, WATER HEATING & PLUMBING SYSTEM MEASURES
- STRAPS AND HANGERS: PROVIDE AS NECESSARY TO INSURE A STABLE INSTALLATION. SEE TITLE-24 FOR WATER HEATER REQUIREMENTS.
- ALL HOSE BIBS SHALL HAVE APPROVED BACK FLOW PREVENTION DEVICES. PLUMBING FIXTURES (WATER CLOSETS) AND FITTINGS (FAUCETS AND SHOWERHEADS) SHALL MEET THE STANDARDS REFERENCED IN CALGREEN TABLE 4.303.3.
- WATER HEATER SHALL BE PROVIDED WITH A TEMPERATURE AND PRESSURE RELIEF VALVE. PER (2022 CPC 505.2) THE RELIEF VALVE SHALL BE PROVIDED WITH A DRAIN LINE WHICH EXTENDS FROM THE VALVES TO THE OUTSIDE OF THE BUILDING. PER (2022 605.0 CPC)
- PER 2022 CPC 603.5.7 OUTLETS WITH HOSE ATTACHMENTS, POTABLE WATER OUTLETS WITH HOSE ATTACHMENTS, OTHER THAN WATER HEATER DRAINS, BOILER DRAINS, AND CLOTHES WASHER CONNECTIONS, SHALL BE PROTECTED BY A NONREMOVABLE HOSE BIBB TYPE BACKFLOW PREVENTER. A NONREMOVABLE HOSE BIBB TYPE VACUUM BREAKER, OR BY AN ATMOSPHERE VACUUM BREAKER INSTALLED NOT LESS THAN 6 INCHES ABOVE THE HIGHEST POINT OF USAGE LOCATED ON THE DISCHARGE SIDE OF THE LAST VALVE. IN CLIMATES WHERE FREEZING TEMPERATURES OCCUR, A LISTED SELF DRAINING FROST-PROOF HOSE BIBB WITH AN INTEGRAL BACKFLOW PREVENTER OR VACUUM BREAKER SHALL BE USED.

MECHANICAL NOTES

- CONFORM WITH CURRENT ADOPTED CRC, CMC, SMACNA, NFPA AND LOCAL REQUIREMENTS.
- DUCTWORK: SMACNA "LOW VELOCITY DUCT CONSTRUCTION" NFPA STANDARD #90A. ALL TRANSVERSE DUCT PLENUM AND FITTING JOINTS SHALL BE SEALED WITH PRESSURE SENSITIVE NON-CLOTH-TAPE MEETING THE REQUIREMENTS OF UL181, 181A, OR 181B, OR MASTIC TO PREVENT AIR LOSS. DUCTS SHALL BE INSULATED AS REQUIRED BY THE UMC. SEE FLOOR PLAN FOR F.U.I. AND REPLACES. DUCTS PENETRATING A WALL OR FLOOR-CEILING BETWEEN GARAGE & DWELLING TO BE MINIMUM 26 GAUGE METAL WITHOUT OPENING IN GARAGE. FIRE DAMPER REQUIRED OTHERWISE.
- GRIDS AND REGISTERS, DIFFUSERS, ETC. SUBJECT TO OWNERS APPROVAL. "CARNES" OR EQUAL FANS, DIRECTLY VENTED TO OUTSIDE, BACK DRAFT DAMPERS ARE REQUIRED (PER TABLE 2-53V, TITLE 24 C.A.C.).
- THE RETURN AIR PLENUM SERVING THE MECHANICAL EQUIPMENT MUST BE FULLY DUCTED FROM THE EQUIPMENT TO THE CONDITIONED SPACE. DROP CEILING, WALL CAVITIES AND EQUIPMENT PLATFORMS MAY NOT BE USED AS PLENUMS.
- LAUNDRY DRYER VENT TO EXTERIOR TO BE 14 FEET MAXIMUM, LESS 2 FEET PER 90 DEGREE TURN PER CMC 504.3.2.2. IF VENT IS OVER 14' AN APPROVED POWER ASSISTED DEVICE IS REQUIRED.
- BATHROOM EXHAUST FANS (BATHROOM APPLIES TO ROOMS CONTAINING BATHTUB, SHOWER, OR TUB-SHOWER COMBINATION) WHICH EXHAUST DIRECTLY FROM BATHROOMS SHALL COMPLY WITH THE FOLLOWING (2022 CGBSC SEC. 4.506.1):
 - FANS SHALL BE ENERGY STAR COMPLIANT AND BE DUCTED TO TERMINATE OUTSIDE THE BUILDING MIN 3' FROM OPENINGS.
 - UNLESS FUNCTIONING AS A COMPONENT OF A WHOLE HOUSE VENTILATION SYSTEM, FANS MUST BE CONTROLLED BY A HUMIDITY CONTROL.
 - HUMIDITY CONTROLS SHALL BE CAPABLE OF ADJUSTMENT BETWEEN A RELATIVE HUMIDITY RANGE OF 5-50 PERCENT TO A MAXIMUM OF 80 PERCENT. A HUMIDITY CONTROL MAY UTILIZE MANUAL OR AUTOMATIC MEANS OF ADJUSTMENT.
 - A HUMIDITY CONTROL MAY BE A SEPARATE COMPONENT TO EXHAUST FAN AND IS NOT REQUIRED TO BE INTEGRAL (I.E. BUILT IN)
- BATHROOM EXHAUST FANS SHALL BE PROVIDED MINIMUM 50 CFM EXHAUST RATE (2022 CMC TABLE 403.7)
- KITCHEN EXHAUST FANS SHALL PROVIDE MINIMUM 100 CFM EXHAUST RATE (2022 CMC TABLE 403.7)
- PER 2022 CEnC 150(m) PORTIONS OF SUPPLY-AIR AND RETURN-AIR DUCTS AND PLENUMS SHALL BE INSULATED TO A MINIMUM INSTALLED LEVEL OF R-5.0 (OR ANY LEVEL HIGHER LEVEL REQUIRED BY 2022 CMC SECTION 605) OR BE ENCLOSED ENTIRELY IN CONDITIONED SPACE.
- HVAC: HSPFP 8.0 MIN. SEER2 8.0 MIN. DUCTLESS, MULTI-SPEED COMPRESSIONOR. SEE TITLE 24 FOR MINIMUM HEATING CAPACITY AT 47 DEG F AND 17 DEG F.
- HEAT PUMP WATER HEATER (HPWH):** NEEA RATED TIER 3 (UEF 2.9 MIN) 40+ GAL TANK. NOTE: THE HEAT PUMP WATER HEATER CAN BE DUCTED INTEGRATED SYSTEM OR A SPLIT SYSTEM WHERE, IN EITHER CASE, THE TANK IS WITHIN THE INSULATED, AIR AND THERMAL ENVELOPE, I.E., ENCLOSED IN FULLY INSULATED WALLS AND ROOF BE AIR SEALED, AND WHERE AN EXTERIOR ACCESS DOOR IS USED, THE DOOR MUST BE AN INSULATED WEATHER-SEALED DOOR.

TITLE 24 COMPLIANCE

- ALL INTERIOR RESIDENTIAL LIGHTING IS TO BE HIGH EFFICACY.
- THE FOLLOWING LIGHTING IS HIGH EFFICACY: PIN BASED LINEAR FLUORESCENT, PIN BASED COMPACT FLUORESCENT, PULSE-START METAL HALIDE, HIGH PRESSURE SODIUM, GU-24 (OTHER THAN LED'S), INSEPARABLE SOLID STATE LUMINAIRES (INSTALLED OUTDOORS OR INSEPARABLE SSL LUMINAIRES WITH COLORED LIGHT SOURCES FOR DECORATIVE LIGHTING PURPOSES. (2022 CEnC TABLE 150.0-A))
- THE FOLLOWING LAMPS AND LIGHT SOURCES ARE HIGH EFFICACY IF THEY ARE JOINT APPENDIX JA8-CERTIFIED, JA8-CERTIFIED LAMPS AND LIGHT SOURCES ARE MARKED AS "JA8-2016" OR "JA8-2016-F". THESE FIXTURES INCLUDE: LED LUMINAIRES WITH INTEGRAL SOURCES THAT ARE CERTIFIED TO THE ENERGY COMMISSION, SCREW-BASED LED LAMPS (A-LAMPS, PAR LAMPS, ETC.), PIN BASED LED LAMPS (MR-16, AR-11, ETC.), GU-24 BASED LED LIGHT SOURCES AND OTHER LUMINAIRES. (2022 CEnC TABLE 150.0-A) LISTING OF CERTIFIED FIXTURES IS LOCATED ON THE CALIFORNIA ENERGY COMMISSION WEBSITE: [HTTP://APPLIANCE.ENERGY.CA.GOV/ADVANCEDSEARCH/cslpx](http://appliance.energy.ca.gov/ADVANCEDSEARCH/cslpx)
- RECESSED LUMINAIRES INSTALLED IN AREAS TO RECEIVE INSULATION SHALL BE "IC" LUMINAIRES AND ARE CERTIFIED AND LABELED AS AIRTIGHT TO THE STANDARDS PRESCRIBED BY THE RESIDENTIAL ENERGY CODE. ADDITIONAL REQUIREMENTS FOR ANY RECESSED DOWNLIGHTS IN CEILING ARE AS FOLLOWS. THEY
 - SHALL NOT HAVE SCREW BASED SOCKETS.
 - SHALL CONTAIN JA8-CERTIFIED LIGHT SOURCES AND
 - SHALL MEET PERFORMANCE REQUIREMENTS OF 2022 CEnC SECTION 150.0(k)(1).
- THE NUMBER OF ELECTRICAL BOXES LOCATED MORE THAN 5 FEET ABOVE FINISHED FLOOR THAT DO NOT CONTAIN ALUMINAIRE OR OTHER DEVICE SHALL NOT EXCEED THE NUMBER OF BEDROOMS. THESE BOXES MUST BE SERVED BY A DIMMER, VACANCY SENSOR OR FAN SPEED CONTROL. (2022 CEnC SECTION 150(k)(1B))
- UNDERCABINET LIGHTING MUST BE SWITCHED SEPARATE FROM ALL OTHER LIGHTING.
- ALL LIGHTING MUST HAVE READILY ACCESSIBLE MANUAL CONTROLS
- EXHAUST FANS MUST BE SWITCHED SEPARATE FROM LIGHTING OR UTILIZE A DEVICE WHERE LIGHTING CAN BE TURNED OFF WHILE THE FAN IS RUNNING.
- FOR ALL SPACE TYPES EXCEPT HALLWAYS AND CLOSETS THAT ARE 70 SF OR SMALLER, VACANCY SENSORS OR DIMMERS ARE REQUIRED WHEN USING A SOURCE REGULATED BY JA8.
- IN KITCHENS, IF THE LUMINAIRE IS AN ENCLOSED OR RECESSED LUMINAIRE, YOU MUST USE A DIMMER OR VACANCY SENSOR.
- AT LEAST ONE LUMINAIRE IN THE BATHROOM, GARAGE, LAUNDRY ROOM AND UTILITY ROOM MUST BE CONTROLLED BY A VACANCY SENSOR.
- THE BUILDER MUST PROVIDE NEW HOMEOWNERS WITH A LUMINAIRE SCHEDULE THAT INCLUDES A LIST OF INSTALLED LAMPS AND LUMINAIRES.
- ALL JOINTS, PENETRATIONS AND OTHER OPENINGS IN THE BUILDING ENVELOPE THAT ARE POTENTIAL SOURCES OF AIR LEAKAGE SHALL BE CAULKED, GASKETED, WEATHER-STRIPPED OR OTHERWISE SEALED TO LIMIT INFILTRATION AND EXFILTRATION (2022 CEnC 110.7).
- ATTIC ACCESS DOORS SHALL HAVE PERMANENTLY ATTACHED INSULATION USING ADHESIVE OR MECHANICAL FASTENERS. THE ATTIC ACCESS SHALL BE GASKETED TO PREVENT AIR LEAKAGE (2022 CEnC 150.0(a)(2))
- ALL INSTALLED LUMINAIRES SHALL BE HIGH EFFICACY IN ACCORDANCE WITH CEnC TABLE 150.0-A. (2022 CEnC 150(k)(1A)).
- THE NUMBER OF ELECTRICAL BOXES THAT ARE MORE THAN 5 FEET ABOVE THE FINISHED FLOOR AND DO NOT CONTAIN A LUMINAIRE OR OTHER DEVICE SHALL BE NO GREATER THAN THE NUMBER OF BEDROOMS. THESE ELECTRICAL BOXES MUST BE SERVED BY A DIMMER, VACANCY SENSOR CONTROL, OR FAN SPEED CONTROL. (2022 CEnC 150(k)(1B)).

SOLAR READY NOTES

SOLAR READY REQUIREMENTS PER CEnC 110.10(b) THROUGH 110.10(e)

SOLAR ZONE:

- MINIMUM AREA.** THE SOLAR ZONE SHALL HAVE A MINIMUM TOTAL AREA AS DESCRIBED BELOW. THE SOLAR ZONE SHALL COMPLY WITH ACCESS, PATHWAY, SMOKE VENTILATION, AND SPACING REQUIREMENTS AS SPECIFIED IN TITLE 24, PART 9 OR OTHER PARTS OF TITLE 24 OR IN ANY REQUIREMENTS ADOPTED BY A LOCAL JURISDICTION.
- THE SOLAR ZONE TOTAL AREA SHALL BE COMPRISED OF AREAS THAT HAVE NO DIMENSION LESS THAN FIVE FEET AND ARE NO LESS THAN 80 SQUARE FEET EACH FOR BUILDINGS WITH ROOF AREAS LESS THAN OR EQUAL TO 10,000 SQUARE FEET OR NO LESS THAN 160 SQUARE FEET EACH FOR BUILDINGS WITH ROOF AREAS GREATER THAN 10,000 SQUARE FEET.
 - SINGLE FAMILY RESIDENCES.** THE SOLAR ZONE SHALL BE LOCATED ON THE ROOF OR OVERHANG OF THE BUILDING AND HAVE A TOTAL AREA NO LESS THAN 250 SQUARE FEET.

EXCEPTION 5 TO SECTION 110.10(B)(1A): SINGLE FAMILY RESIDENCES WITH A PERMANENTLY INSTALLED DOMESTIC SOLAR WATER-HEATING SYSTEM MEETING THE INSTALLATION CRITERIA SPECIFIED IN THE REFERENCE RESIDENTIAL APPENDIX R44 AND WITH A MINIMUM SOLAR SAVINGS FRACTION OF 0.50.

EXCEPTION 6 TO SECTION 110.10(B)(1A): SINGLE FAMILY RESIDENCES HAVING A SOLAR ZONE TOTAL AREA NO LESS THAN 150 SQUARE FEET AND WHERE ALL THERMOSTATS ARE DEMAND RESPONSIVE CONTROLS AND COMPLY WITH SECTION 110.12(A), AND ARE CAPABLE OF RECEIVING AND RESPONDING TO DEMAND RESPONSE SIGNALS PRIOR TO GRANTING OF AN OCCUPANCY PERMIT BY THE ENFORCING AGENCY.

EXCEPTION 6 TO SECTION 110.10(B)(1A): SINGLE-FAMILY RESIDENCES MEETING THE FOLLOWING CONDITIONS:

- ALL THERMOSTATS ARE DEMAND RESPONSIVE CONTROLS THAT COMPLY WITH SECTION 110.12(A), AND ARE CAPABLE OF RECEIVING AND RESPONDING TO DEMAND RESPONSE SIGNALS PRIOR TO GRANTING OF AN OCCUPANCY PERMIT BY THE ENFORCING AGENCY.
- COMPLY WITH ONE OF THE FOLLOWING MEASURES:
 - INSTALL A DISHWASHER THAT MEETS OR EXCEEDS THE ENERGY STAR PROGRAM REQUIREMENTS WITH A REFRIGERATOR THAT MEETS OR EXCEEDS THE ENERGY STAR PROGRAM REQUIREMENTS, A WHOLE HOUSE FAN DRIVEN BY AN ELECTRONICALLY COMMUTATED MOTOR, OR AN SAE J1772 LEVEL 2 ELECTRIC VEHICLE SUPPLY EQUIPMENT (EVSE OR EV CHARGER) WITH A MINIMUM OF 40 AMPERES; OR
 - INSTALL A HOME AUTOMATION SYSTEM CAPABLE OF, AT A MINIMUM, CONTROLLING THE APPLIANCES AND LIGHTING OF THE DWELLING AND RESPONDING TO DEMAND RESPONSE SIGNALS; OR
 - INSTALL ALTERNATIVE PLUMBING PIPING TO PERMIT THE DISCHARGE FROM THE CLOTHES WASHER AND ALL SHOWERS AND BATHTUBS TO BE USED FOR AN IRRIGATION SYSTEM IN COMPLIANCE WITH THE CALIFORNIA PLUMBING CODE AND ANY APPLICABLE LOCAL ORDINANCES; OR
 - INSTALL A RAINWATER CATCHMENT SYSTEM DESIGNED TO COMPLY WITH THE CALIFORNIA PLUMBING CODE AND ANY APPLICABLE LOCAL ORDINANCES, AND THAT USES RAINWATER FLOWING FROM AT LEAST 65 PERCENT OF THE AVAILABLE ROOF AREA.

WILDLAND-URBAN INTERFACE

- ROOF COVERING SHALL COMPLY WITH 2022 CRC R337.5.2 UNDERLAYMENT SHALL BE ONE LAYER OF OF MINIMUM 72 POUND MINERAL-SURFACED NONPERFORATED CAP SHEET COMPLYING WITH ASTM D3909 INSTALLED OVER THE COMBUSTIBLE DECKING. ALTERNATELY, A CLASS I FIRE RATED ROOF UNDERLAYMENT, TESTED IN ACCORDANCE WITH ASTM E108, SHALL BE PERMITTED TO BE USED.
- ROOF VALLEYS SHALL COMPLY WITH 2022 CRC R337.5.3. VALLEY FLASHING SHALL BE NOT LESS THAN 26 GAGE GALVANIZED SHEET CORROSIVE RESISTANT METAL INSTALLED OVER NOT LESS THAN ONE LAYER OF MINIMUM 72 POUND MINERAL-SURFACED NONPERFORATED CAP SHEET COMPLYING WITH ASTM D3909, AT LEAST 36 INCHES WIDE RUNNING THE FULL LENGTH OF THE VALLEY.
- ROOF GUTTERS SHALL COMPLY WITH 2022 CRC R337.5.4. ROOF GUTTERS SHALL BE PROVIDED WITH THE MEANS TO PREVENT THE ACCUMULATION OF LEAVES AND DEBRIS IN THE GUTTER.
- VENTILATION OPENINGS SHALL COMPLY WITH 2022 CRC R337.6 - VENTILATION OPENINGS FOR ENCLOSED ATTICS, ENCLOSED EAFF SOFFIT SPACES, ENCLOSED RAFTER SPACES FORMED WHERE CEILING ARE APPLIED DIRECTLY TO THE UNDERSIDE OF ROOF RAFTERS, AND UNDER-FLOOR VENTILATION OPENINGS SHALL BE FULLY COVERED WITH METAL WIRE MESH SCREENS, OTHER THAN DEVICES, REFER TO SECTIONS R337.6.1 THROUGH R337.6.3 FOR ADDITIONAL INFORMATION.
- EXTERIOR COVERINGS SHALL COMPLY WITH 2022CRC R337.7 EXTERIOR WALL COVERINGS OR WALL ASSEMBLIES SHALL COMPLY WITH ONE OF THE FOLLOWING REQUIREMENTS: BE OF NONCOMBUSTIBLE MATERIAL, IGNITION-RESISTANT MATERIAL, HEAVY TIMBER EXTERIOR WALL ASSEMBLY, LOG WALL CONSTRUCTION ASSEMBLY, OR WALL ASSEMBLIES THAT MEET THE PERFORMANCE CRITERIA IN ACCORDANCE WITH THE TEST PROCEDURES FOR A 10-MINUTE DIRECT FLAME CONTACT EXPOSURE TEST SET FORTH IN SFM STANDARD 12-7A-1. REFER TO SECTIONS R337.7.1 THROUGH R337.7.9 FOR ADDITIONAL INFORMATION.

FIRE-RESISTANT CONSTRUCTION

SELECT THE APPROPRIATE BOX BELOW (ONLY 1):

<input type="checkbox"/>	FIRE SEPARATION DISTANCE: 25'-0" (EXTERIOR WALLS, PROJECTIONS, OPENINGS, AND PENETRATIONS)	NO FIRE-RESISTANCE RATING REQUIRED
<input type="checkbox"/>	FIRE SEPARATION DISTANCE: 4'-0" - 5'-0" (EXTERIOR WALLS, OPENINGS, AND PENETRATIONS) PROJECTION SEPARATION DIST.: 23'-0"	NO FIRE-RESISTANCE RATING REQUIRED
	EXTERIOR WALLS AND PROJECTIONS	1-HR FIRE-RESISTANCE
<input type="checkbox"/>	SPRINKLERED	
<input type="checkbox"/>	FIRE SEPARATION DISTANCE: 34'-0" (EXTERIOR WALLS, OPENINGS, AND PENETRATIONS)	NO FIRE-RESISTANCE RATING REQUIRED



THESE PLANS ARE PROVIDED BY THE COUNTY OF SAN LUIS OBISPO AS PART OF THE PRE-APPROVED ADU PROGRAM AND ARE PUBLIC DOMAIN. THERE CANNOT BE A CHARGE TO PROVIDE THESE PLANS. NO ALTERATIONS TO THESE PLANS ARE ALLOWED. ALL ALTERATIONS MUST BE DONE UNDER A SEPARATE PERMIT ONCE THE BUILDING PERMIT FOR THE ADU HAS BEEN ISSUED AND FINAL INSPECTION COMPLETED. IF YOU DO NOT HAVE THE CONSTRUCTION KNOWLEDGE AND EXPERIENCE TO CONTRACT THESE PLANS WITHOUT FURTHER DETAILS, IT IS RECOMMENDED YOU HIRE A CONTRACTOR TO DO THE CONSTRUCTION. THE CITY WILL NOT PROVIDE FURTHER INFORMATION OR DETAILS AND BUILDING INSPECTORS WILL NOT PROVIDE STEP BY STEP INSTRUCTIONS IN THE FIELD.

COUNTY OF SAN LUIS OBISPO
ACCESSORY DWELLING UNIT

SAN LUIS OBISPO, CA

GENERAL NOTES

DATE
11/28/2023

SHEET

G-101

CLIMATE ZONE

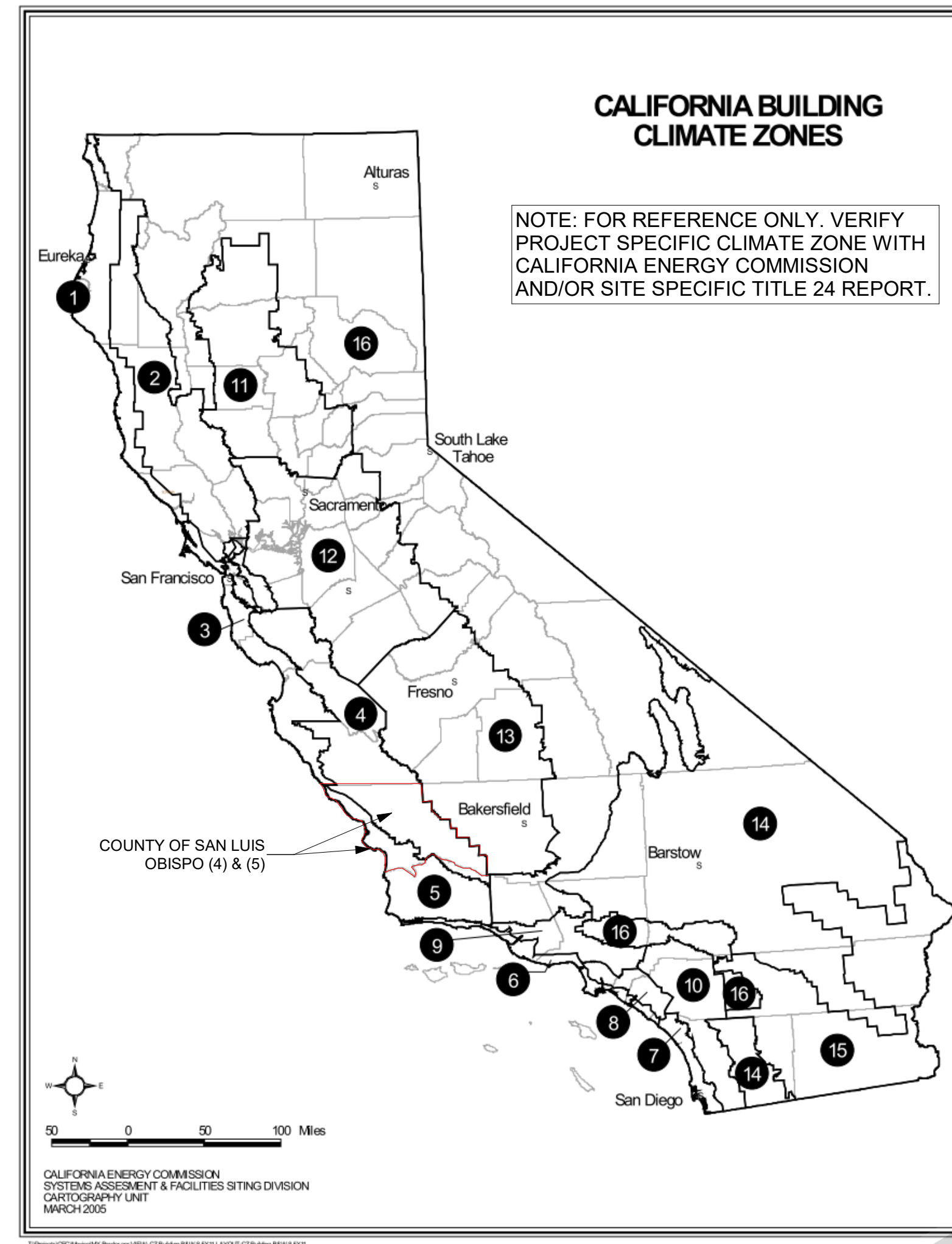


FIGURE 100.1-A—CALIFORNIA CLIMATE ZONES
Climate Zones for Residential and Nonresidential Occupancies

SECTION 100.1 – DEFINITIONS AND RULES OF CONSTRUCTION

ABBREVIATIONS

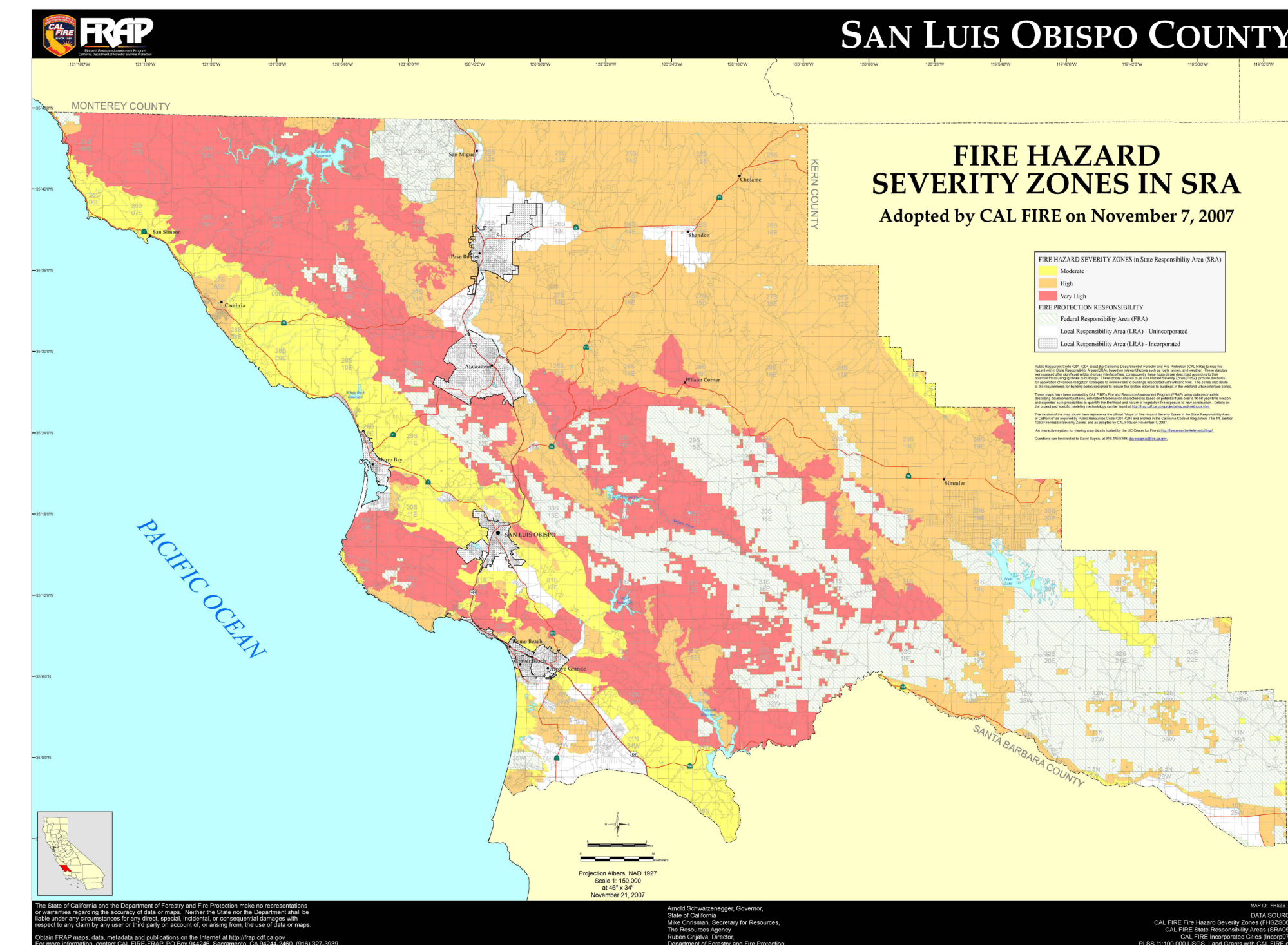
A/C AIR CONDITIONING	EXT EXTERIOR	MAX MAXIMUM	SF SQUARE FOOT
ABV ABOVE	FACP FIRE ALARM CONTROL PANEL	MDF MEDIUM DENSITY FIBERBOARD	SHT SHEET
ACOUS ACOUSTICAL	FAU FORCED AIR UNIT	MECH MECHANICAL	SHTHG SHEATHING
ACT ACOUSTICAL CEILING TILE	FAWP FLUID APPLIED WATERPROOFING	MEMB MEMBRANE	SIM SIMILAR
ADA AMERICANS WITH DISABILITIES ACT	FD FLOOR DRAIN	MEP MECHANICAL, ELECTRICAL, PLUMBING	SM SHEET METAL
AFCI ARC FAULT CIRCUIT INTERRUPTER	FDC FIRE DEPARTMENT CONNECTION	MFR MANUFACTURER	SPEC SPECIFICATION
AFF ABOVE FINISH FLOOR	FE FIRE EXTINGUISHER	MIN MINIMUM	SQ SQUARE
AL ALUMINUM	FEC FIRE EXTINGUISHER CABINET	MISC MISCELLANEOUS	SS SOLID SURFACE
ALT ALTERNATE	FF FINISHED FLOOR ELEVATION	MO MASONRY OPENING	SSTL STAINLESS STEEL
ARCH ARCHITECT(URAL)	FG FINISHED GRADE	MTD MOUNTED	STC SOUND TRANSMISSION CLASS
BD BOARD	FH FIRE HYDRANT	MTL METAL	STD STANDARD
BDRM BEDROOM	FHC FIRE HOSE CABINET	N NORTH	STL STEEL
BET BETWEEN	FIN FINISH	NIC NOT IN CONTRACT	STOR STORAGE
BIT BITUMINOUS	FIXT FIXTURE	NO NUMBER	STRUCT STRUCTURAL
BLDG BUILDING	FLR FLOOR	NOM NOMINAL	SUSP SUSPENDED
BLKG BLOCKING	FLUOR FLOURESCENT	NTS NOT TO SCALE	SV SHEET VINYL
BLW BELOW	FND FOUNDATION	O.P. OVERFLOW PIPE	SYM SYMMETRICAL
BM BEAM	FO FACE OF	OC ON CENTER	T TREAD
BOT BOTTOM	FOC FACE OF CONCRETE	OD OVERFLOW DRAIN	T&G TONGUE & GROOVE
BUR BUILT UP ROOF	FOF FACE OF FINISH	OFF OFFICE	TEL TELEPHONE
CB CATCH BASIN	FOIC FURNISHED BY OWNER INSTALLED BY CONTRACTOR	OH OPPOSITE HAND	TEMP TEMPERED
CB CALIFORNIA BUILDING CODE	FOM FACE OF MASONRY	OPG OPENING	TEL TERRAZZO
CEM CEMENT	FOS FACE OF STUD	OPP OPPOSITE	THK THICK
CFM CUBIC FEET PER MINUTE	FRP FIBERGLASS REINFORCED PANELS	(P) PROPOSED	THR THRESHOLD
CIP CAST IN PLACE	FT FOOT OR FEET	PERM PERIMETER	TJI TRUSS JOIST I-JOIST
CJ CONTROL JOINT	FTG FOOTING	PERP PERPENDICULAR	TO TOP OF
CL CENTER LINE	GA GAUGE, GAGE	PG PAINT GRADE	TOS TOP OF SLAB
CLG CEILING	GALV GALVANIZED	PL PLATE, PROPERTY LINE	TOW TOP OF WALL
CLO CLOSET	GB GRAB BAR	PLAM PLASTIC LAMINATE	TRANS TRANSFORMER
CLR CLEAR	GC GENERAL CONTRACTOR	PLBG PLUMBING	TV TELEVISION
CMU CONCRETE MASONRY UNIT	GFCI GROUND FAULT CIRCUIT INTERRUPTER	PLYWD PLYWOOD	TYP TYPICAL
CO CLEAN OUT	GWB GYPSUM BOARD	PNL PANEL	UFAS UNIFORM FEDERAL ACCESSIBILITY STANDARDS
COL COLUMN	GYP GYPSUM	PP POWER POLE	UG UNDERGROUND
CONC CONCRETE	HB HOSE BIBB	PR PAIR	UNFIN UNFINISHED
CONST CONSTRUCTION	HC HOLLOW CORE	PRTN PARTITION	UNO UNLSS NOTED OTHERWISE
CONT CONTINUOUS	HDWD HARDWOOD	PSF POUNDS PER SQUARE FOOT	UV ULTRAVIOLET
CONTR CONTRACTOR	HDWR HARDWARE	PSI POUNDS PER SQUARE INCH	VCT VINYL COMPOSITION TILE
CPT CARPET	HGT HEIGHT	PSL PARALLEL STRAND LUMBER	VERT VERTICAL
CT CERAMIC TILE	HM HOLLOW METAL	PT PRESSURE TREATED	VIF VERIFY IN FIELD
CTR CENTER	HORIZ HORIZONTAL	PTD PAINTED	VTR VENT TERMINATION PIPE
DBL DOUBLE	HVAC HEATING, VENTILATION, A/C	PV PHOTO VOLTAIC	VWC VINYL WALL COVERING
DF DRINKING FOUNTAIN	ID INSIDE DIAMETER	PVC POLYVINYL CHLORIDE	W WEST
DIA DIAMETER, DIAPHRAGM	IC IMPACT INSULATION CLASS	PVMT PAVEMENT	W/ WITH
DIM DIMENSION	IN INCH	QTY QUANTITY	WD WASHER DRYER
DN DOWN	INCAND INCANDESCENT	R RADIUS, RISER	WO WITHOUT
DR DOOR	INSUL INSULATION, INSULATED	RB RUBBER BASE	WC WATERCLOSET
DS DOWN SPOUT	INT INTERIOR	RCP REFLECTED CEILING PLAN	WD WOOD
DTL DETAIL	JC JANITORS CLOSET	RD ROOF DRAIN	WDW WINDOW
DW DISHWASHER	JT JOINT	REF REFRIGERATOR	WH WATER HEATER
DWG DRAWING	LAM LAMINATE	REIN REINFORCED	WI WROUGHT IRON
(E) EXISTING	LAV LAVATORY	REQD REQUIRED	WIN WINDOW
E EAST	LBS POUNDS	RH RIGHT HAND	WP WATERPROOF(ING)
EA EACH	LEED LEADERSHIP IN ENERGY AND ENVIRONMENTAL DESIGN	RM ROOM	WR WEATHER RESISTIVE
EJ EXPANSION JOINT	LF LINEAR FEET	RO ROUGH OPENING	WRB WATER RESISTIVE BARRIER
EL ELEVATION	LIN LINEN CLOSET	RTU ROOF TOP UNIT (MECH)	WSCT WAINSCOT
ELEV ELEVATION	LINO LINOLEUM	S SOUTH	WT WEIGHT
ELEC ELECTRIC	LT(G) LIGHT(ING)	SAFB SOUND ATTENUATION FIBER BATT	WWF WELDED WIRE FABRIC
ENCL ENCLOSURE	LVL LAMINATED VENEER LUMBER	SC SCUPPER/SOLID CORE	YD YARD
EQ EQUAL	LVT LUXURY VINYL TILE	SCHED SCHEDULE	
EQUIP EQUIPMENT	LW LIGHTWEIGHT	SEAL SEALANT	
EXH EXHAUST		SECT SECTION	
EXP EXPANSION			



THESE PLANS ARE PROVIDED BY THE COUNTY OF SAN LUIS OBISPO AS PART OF THE PRE-APPROVED ADU PROGRAM AND ARE PUBLIC DOMAIN. THERE CANNOT BE A CHARGE TO PROVIDE THESE PLANS. NO ALTERATIONS TO THESE PLANS ARE ALLOWED. ALL ALTERATIONS MUST BE DONE UNDER A SEPARATE PERMIT ONCE THE BUILDING PERMIT FOR THE ADU HAS BEEN ISSUED AND FINAL INSPECTION COMPLETED. IF YOU DO NOT HAVE THE CONSTRUCTION KNOWLEDGE AND EXPERIENCE TO CONTRUCT THESE PLANS WITHOUT FURTHER DETAILS, IT IS RECOMMENDED YOU HIRE A CONTRACTOR TO DO THE CONSTRUCTION. THE CITY WILL NOT PROVIDE FURTHER INFORMATION OR DETAILS AND BUILDING INSPECTORS WILL NOT PROVIDE STEP BY STEP INSTRUCTIONS IN THE FIELD.

FIRE HAZARD SEVERITY ZONES

DISCLAIMER: MAP IS FOR GENERAL REFERENCE ONLY. TO ACQUIRE ACCURATE INFORMATION FOR FIRE HAZARD SEVERITY IN SITE SPECIFIC LOCATION, REFER TO THE CALIFORNIA DEPARTMENT OF FORESTRY AND FIRE PROTECTION.



SYMBOLS

VIEW NUMBER: 20
VIEW TITLE: View Name
SCALE: 1/8" = 1'-0"

VIEW SHEET LOCATION: A-101
REFERENCE SHEET LOCATION: A-202

LEVEL DESIGNATION: Name
LEVEL ELEVATION: 0'-0"

BUILDING LEVELS

SYMBOLS:

- NORTH ARROW
- GRID REFERENCE
- DOOR W/CLOSER
- DOOR TAG
- BUILDING ELEVATION
- SECTION REFERENCE
- WINDOW TAG
- INTERIOR ELEVATIONS
- DETAIL REFERENCE
- WALL TAG
- REVISION TAG
- CENTERLINE
- STOREFRONT TAG
- MATERIAL TAG

COUNTY OF SAN LUIS OBISPO
ACCESSORY DWELLING UNIT
SAN LUIS OBISPO, CA
INDEX, ABBREVIATIONS, & SYMBOLS

DATE: 11/28/2023
SHEET: G-102



2022 Single-Family Residential Mandatory Requirements Summary

§ 150.0(m)13: **Space Conditioning System Airflow Rate and Fan Efficacy.** Space conditioning systems that use ducts to supply cooling must have a hole for the placement of a static pressure probe, or a permanently installed static pressure probe in the supply plenum. Airflow must be ≥ 350 CFM per ton of nominal cooling capacity, and an air-handling unit fan efficacy ≤ 0.45 watts per CFM for gas furnace air handlers and ≤ 0.58 watts per CFM for all others. Small duct high velocity systems must provide an airflow ≥ 250 CFM per ton of nominal cooling capacity, and an air-handling unit fan efficacy ≤ 0.62 watts per CFM. Field verification testing is required in accordance with Reference Residential Appendix RA3.3.*

Ventilation and Indoor Air Quality:

§ 150.0(o)1: **Requirements for Ventilation and Indoor Air Quality.** All dwelling units must meet the requirements of ASHRAE Standard 62.2, Ventilation and Acceptable Indoor Air Quality in Residential Buildings subject to the amendments specified in § 150.0(o)1.*

§ 150.0(o)1B: **Central Fan Integrated (CFI) Ventilation Systems.** Continuous operation of CFI air handlers is not allowed to provide the whole-dwelling unit ventilation airflow required per § 150.0(o)1C. A motorized damper(s) must be installed on the ventilation duct(s) that prevents all airflow through the space conditioning duct system when the damper(s) is closed and controlled per § 150.0(o)1Bii. CFI ventilation systems must have controls that track outdoor air ventilation run time, and either open or close the motorized damper(s) for compliance with § 150.0(o)1C.

§ 150.0(o)1C: **Whole-Dwelling Unit Mechanical Ventilation for Single-Family Detached and Townhouses.** Single-family detached dwelling units, and attached dwelling units not sharing ceilings or floors with other dwelling units, occupiable spaces, public garages, or commercial spaces must have mechanical ventilation airflow specified in § 150.0(o)1C-ii.

§ 150.0(o)1G: **Local Mechanical Exhaust.** Kitchens and bathrooms must have local mechanical exhaust; nonenclosed kitchens must have demand-controlled exhaust system meeting requirements of § 150.0(o)1Gii enclosed kitchens and bathrooms can use demand-controlled or continuous exhaust meeting § 150.0(o)1Giii-iv. Airflow must be measured by the installer per § 150.0(o)1Gv, and rated for sound per § 150.0(o)1Gvi.*

§ 150.0(o)1Hd: **Airflow Measurement and Sound Ratings of Whole-Dwelling Unit Ventilation Systems.** The airflow required per § 150.0(o)1C must be measured by using a flow hood, flow grid, or other airflow measuring device at the fan's inlet or outlet terminals/grilles per Reference Residential Appendix RA3.7. Whole-dwelling unit ventilation systems must be rated for sound per ASHRAE 62.2 § 7.2 at no less than the minimum airflow rate required by § 150.0(o)1C.

§ 150.0(o)2: **Field Verification and Diagnostic Testing.** Whole-dwelling unit ventilation airflow, vented range hood airflow and sound rating, and HRV and ERV fan efficacy must be verified in accordance with Reference Residential Appendix RA3.7. Vented range hoods must be verified per Reference Residential Appendix RA3.7.4.3 to confirm if it is rated by HVI or AHAM to comply with the airflow rates and sound requirements per § 150.0(o)1G

Pool and Spa Systems and Equipment:

§ 110.4(a): **Certification by Manufacturers.** Any pool or spa heating system or equipment must be certified to have all of the following: compliance with the Appliance Efficiency Regulations and listing in MAEDDS; an on-off switch mounted outside of the heater that allows shutting off the heater without adjusting the thermostat setting; a permanent weatherproof plate or card with operating instructions; and must not use electric resistance heating.*

§ 110.4(b)1: **Piping.** Any pool or spa heating system or equipment must be installed with at least 36 inches of pipe between the filter and the heater, or dedicated suction and return lines, or built-in built-up connections to allow for future solar heating.

§ 110.4(b)2: **Covers.** Outdoor pools or spas that have a heat pump or gas heater must have a cover.

§ 110.4(b)3: **Directional Inlets and Time Switches for Pools.** Pools must have directional inlets that adequately mix the pool water, and a time switch that will allow all pumps to be set or programmed to run only during off-peak electric demand periods.

§ 110.5: **Pilot Light.** Natural gas pool and spa heaters must not have a continuously burning pilot light.

§ 150.0(p): **Pool Systems and Equipment Installation.** Residential pool systems or equipment must meet the specified requirements for pump sizing, flow rate, piping, filters, and valves.*

Lighting:

§ 110.9: **Lighting Controls and Components.** All lighting control devices and systems, ballasts, and luminaires must meet the applicable requirements of § 110.9.*

§ 150.0(k)1A: **Luminaire Efficacy.** All installed luminaires must meet the requirements in Table 150.0-A, except lighting integral to exhaust fans, kitchen range hoods, bath vanity mirrors, and garage door openers; navigation lighting less than 5 watts; and lighting internal to drawers, cabinets, and linen closets with an efficacy of at least 45 lumens per watt.

§ 150.0(k)1B: **Screw based luminaires.** Screw based luminaires must contain lamps that comply with Reference Joint Appendix JA8.*

§ 150.0(k)1C: **Recessed Downlight Luminaires in Ceilings.** Luminaires recessed into ceilings must not contain screw based sockets, must be airtight, and must be sealed with a gasket or caulk. California Electrical Code § 410.116 must also be met.

§ 150.0(k)1D: **Light Sources in Enclosed or Recessed Luminaires.** Lamps and other separable light sources that are not compliant with the JAB elevated temperature requirements, including marking requirements, must not be installed in enclosed or recessed luminaires.

§ 150.0(k)1E: **Blank Electrical Boxes.** The number of electrical boxes that are more than five feet above the finished floor and do not contain a luminaire or other device shall be no more than the number of bedrooms. These boxes must be served by a dimmer, vacancy sensor control, low voltage wiring, or fan speed control.

§ 150.0(k)1F: **Lighting Integral to Exhaust Fans.** Lighting integral to exhaust fans (except when installed by the manufacturer in kitchen exhaust hoods) must meet the applicable requirements of § 150.0(k).

5/6/22

03



2022 Single-Family Residential Mandatory Requirements Summary

§ 110.5: **Pilot Lights.** Continuously burning pilot lights are prohibited for natural gas: fan-type central furnaces; household cooking appliances (except appliances without an electrical supply voltage connection with pilot lights that consume less than 150 Btu per hour); and pool and spa heaters.*

§ 150.0(h)1: **Building Cooling and Heating Loads.** Heating and/or cooling loads are calculated in accordance with the ASHRAE Handbook, Equipment Volume, Applications Volume, and Fundamentals Volume; the SMACNA Residential Comfort System Installation Standards Manual; or the ACCA Manual J using design conditions specified in § 150.0(h)2.

§ 150.0(h)3A: **Clearances.** Air conditioner and heat pump outdoor condensing units must have a clearance of at least five feet from the outlet of any dryer.

§ 150.0(h)3B: **Liquid Line Drier.** Air conditioners and heat pump systems must be equipped with liquid line filter driers if required, as specified by the manufacturer's instructions.

§ 150.0(j)1: **Water Piping, Solar Water-heating System Piping, and Space Conditioning System Line Insulation.** All domestic hot water piping must be insulated as specified in § 609.11 of the California Plumbing Code.*

§ 150.0(j)2: **Insulation Protection.** Piping insulation must be protected from damage, including that due to sunlight, moisture, equipment maintenance, and wind as required by § 120.3(b). Insulation exposed to weather must be water retardant and protected from UV light (no adhesive tapes). Insulation covering chilled water piping and refrigerant suction piping located outside the conditioned space must include, or be protected by, a Class I or Class II vapor retarder. Pipe insulation buried below grade must be installed in a waterproof and non-crushable casing or sleeve.

§ 150.0(n)1: **Gas or Propane Water Heating Systems.** Systems using gas or propane water heaters to serve individual dwelling units must designate a space at least 2.5' x 2.5' x 7' suitable for the future installation of a heat pump water heater, and meet electrical and plumbing requirements, based on the distance between this designated space and the water heater location; and a condensate drain no more than 2' higher than the base of the water heater.

§ 150.0(n)3: **Solar Water-heating Systems.** Solar water-heating systems and collectors must be certified and rated by the Solar Rating and Certification Corporation (SRCC), the International Association of Plumbing and Mechanical Officials, Research and Testing (IAPMO R&T), or by a listing agency that is approved by the executive director.

Ducts and Fans:

§ 110.8(d)3: **Ducts.** Insulation installed on an existing space-conditioning duct must comply with § 604.0 of the California Mechanical Code (CMC). If a contractor installs the insulation, the contractor must certify to the customer, in writing, that the insulation meets this requirement.

§ 150.0(m)1: **CMC Compliance.** All air-distribution system ducts and plenums must meet CMC §§ 601.0-605.0 and ANSIS/MACNA-006-2006 HVAC Duct Construction Standards Metal and Flexible 3rd Edition. Portions of supply-air and return-air ducts and plenums must be insulated to R-6.0 or higher; ducts located entirely in conditioned space as confirmed through field verification and diagnostic testing (RA3.1.4.3.8) do not require insulation. Connections of metal ducts and inner core of flexible ducts must be mechanically fastened. Openings must be sealed with mastic, tape, or other duct-closure system that meets the applicable UL requirements, or aerosol sealant that meets UL 723. The combination of mastic and either mesh or tape must be used to seal openings greater than 1/4". If mastic or tape is used, Building cavities, air handler support platforms, and plenums designed or constructed with materials other than sealed sheet metal, duct board or flexible duct must not be used to convey conditioned air. Building cavities and support platforms may contain ducts; ducts installed in these spaces must not be compressed.*

§ 150.0(m)2: **Factory-Fabricated Duct Systems.** Factory-fabricated duct systems must comply with applicable requirements for duct construction, connections, and closures; joints and seams of duct systems and their components must not be sealed with cloth backer rubber adhesive duct tapes unless such tape is used in combination with mastic and draw bands.

§ 150.0(m)3: **Field-Fabricated Duct Systems.** Field-fabricated duct systems must comply with applicable requirements for: pressure-sensitive tapes, mastics, sealants, and other requirements specified for duct construction.

§ 150.0(m)7: **Backdraft Damper.** Fan systems that exchange air between the conditioned space and outdoors must have backdraft or automatic dampers.

§ 150.0(m)8: **Gravity Ventilation Dampers.** Gravity ventilating systems serving conditioned space must have either automatic or readily accessible, manually operated dampers in all openings to the outside, except combustion inlet and outlet air openings and elevator shaft vents.

§ 150.0(m)9: **Protection of Insulation.** Insulation must be protected from damage due to sunlight, moisture, equipment maintenance, and wind. Insulation exposed to weather must be suitable for outdoor service (e.g., protected by aluminum, sheet metal, painted canvas, or plastic cover). Cellular foam insulation must be protected as above or painted with a water retardant and solar radiation-resistant coating.

§ 150.0(m)10: **Porous Inner Core Flex Duct.** Porous inner cores of flex ducts must have a non-porous layer or air barrier between the inner core and outer vapor barrier.

§ 150.0(m)11: **Duct System Sealing and Leakage Test.** When space conditioning systems use forced air duct systems to supply conditioned air to an occupiable space, the ducts must be sealed and duct leakage tested, as confirmed through field verification and diagnostic testing, in accordance with Reference Residential Appendix RA3.1.

§ 150.0(m)12: **Air Filtration.** Space conditioning systems with ducts exceeding 10 feet and the supply side of ventilation systems must have MERV 13 or equivalent filters. Filters for space conditioning systems must have a two inch depth or can be one inch if sized per Equation 150.0-A-Clean-Filtration pressure drop and labeling must meet the requirements in § 150.0(m)12. Filters must be accessible for regular service. Filter racks or grilles must use gaskets, sealing, or other means to close gaps around the insertion filters to and prevents air from bypassing the filter.*

5/6/22

02



2022 Single-Family Residential Mandatory Requirements Summary

NOTE: Single-family residential buildings subject to the Energy Codes must comply with all applicable mandatory measures, regardless of the compliance approach used. Review the respective section for more information. (04/2022)

Building Envelope:

§ 110.6(a)1: **Air Leakage.** Manufactured fenestration, exterior doors, and exterior pet doors must limit air leakage to 0.3 CFM per square foot or less when tested per NFRC-400, ASTM E283, or AAMA/WDMA/CSA 1011.S.2/A440-2011.*

§ 110.6(a)5: **Labeling.** Fenestration products and exterior doors must have a label meeting the requirements of § 10-111(a).

§ 110.6(b): **Field fabricated exterior doors and fenestration products** must use U-factors and solar heat gain coefficient (SHGC) values from Tables 110.6-A, 110.6-B, or JA4.5 for exterior doors. They must be caulked and/or weather-stripped.

§ 110.6(b): **Air Leakage.** Gaskets, penetrations, and other openings in the building envelope that are potential sources of air leakage must be caulked, gasketed, or weather-stripped.

§ 110.8(a): **Insulation Certification by Manufacturers.** Insulation must be certified by the Department of Consumer Affairs, Bureau of Household Goods and Services (BHGS).

§ 110.8(g): **Insulation Requirements for Heated Slab Floors.** Heated slab floors must be insulated per the requirements of § 110.8(g).

§ 110.8(i): **Roofing Products Solar Reflectance and Thermal Emittance.** The thermal emittance and aged solar reflectance values of the roofing material must meet the requirements of § 110.8(i) and be labeled per § 10-113 when the installation of a cool roof is specified on the CFR.

§ 110.8(j): **Radiant Barrier.** When required, radiant barriers must have an emittance of 0.05 or less and be certified to the Department of Consumer Affairs.

§ 150.0(a): **Roof Deck, Ceiling and Rafter Roof Insulation.** Roof decks in newly constructed attics in climate zones 4 and 8-16 area-weighted average U-factor not exceeding U-0.184. Ceiling and rafter roofs minimum R-22 insulation in wood-frame ceiling; or area-weighted average U-factor must not exceed 0.043. Rafter roof alterations minimum R-19 or area-weighted average U-factor of 0.054 or less. Attic access doors must have permanently attached insulation using adhesive or mechanical fasteners. The attic access must be gasketed to prevent air leakage; insulation must be installed in direct contact with a roof or ceiling which is sealed to limit infiltration and exfiltration as specified in § 110.7, including but not limited to placing insulation either above or below the roof deck or on top of a drywall ceiling.

§ 150.0(d): **Loose-fill Insulation.** Loose fill insulation must meet the manufacturer's required density for the labeled R-value.

§ 150.0(f): **Wall Insulation.** Minimum R-13 insulation in 2x4 inch wood framing wall or have a U-factor of 0.102 or less, or R-20 in 2x6 inch wood framing or have a U-factor of 0.071 or less. Opaque non-framed assemblies must have an overall assembly U-factor not exceeding 0.102. Masonry walls must meet Tables 150.1-A or B.*

§ 150.0(d): **Raised-floor Insulation.** Minimum R-19 insulation in raised wood framed floor or 0.037 maximum U-factor.*

§ 150.0(f): **Slab Edge Insulation.** Slab edge insulation must meet all of the following: have a water absorption rate, for the insulation material alone without facings, no greater than 0.3 percent; have a water vapor permeance no greater than 2.0 perm per inch; be protected from physical damage and UV light deterioration; and, when installed as part of a heated slab floor, meet the requirements of § 110.8(g).

§ 150.0(g)1: **Vapor Retarder.** In climate zones 1 through 16, the earth floor or unvented crawl space must be covered with a Class I or Class II vapor retarder. This requirement also applies to controlled ventilation crawl space for buildings complying with the exception to § 150.0(f).

§ 150.0(g)2: **Vapor Retarder.** In climate zones 14 and 16, a Class I or Class II vapor retarder must be installed on the conditioned space side of all insulation in all exterior walls, vented attics, and unvented attics with air-permeable insulation.

§ 150.0(c): **Fenestration Products.** Fenestration, including skylights, separating conditioned space from unconditioned space or outdoors must have a maximum U-factor of 0.45; or area-weighted average U-factor of all fenestration must not exceed 0.45.

Fireplaces, Decorative Gas Appliances, and Gas Log:

§ 110.5(e): **Pilot Light.** Continuously burning pilot lights are not allowed for indoor and outdoor fireplaces.

§ 150.0(e)1: **Closable Doors.** Masonry or factory-built fireplaces must have a closable metal or glass door covering the entire opening of the firebox.

§ 150.0(e)2: **Combustion Intake.** Masonry or factory-built fireplaces must have a combustion outside air intake, which is at least six square inches in area and is equipped with a readily accessible, operable, and tight-fitting damper or combustion-air control device.*

§ 150.0(e)3: **Flue Damper.** Masonry or factory-built fireplaces must have a flue damper with a readily accessible control.*

5/6/22

01



2022 Single-Family Residential Mandatory Requirements Summary

§ 150.0(k)1G: **Screw based luminaires.** Screw based luminaires must contain lamps that comply with Reference Joint Appendix JA8.*

§ 150.0(k)1H: **Light Sources in Enclosed or Recessed Luminaires.** Lamps and other separable light sources that are not compliant with the JAB elevated temperature requirements, including marking requirements, must not be installed in enclosed or recessed luminaires.

§ 150.0(k)1I: **Light Sources in Drawers, Cabinets, and Linen Closets.** Light sources internal to drawers, cabinetry or linen closets are not required to comply with Table 150.0-A or be controlled by vacancy sensors provided that they are rated to consume no more than 5 watts of power, emit no more than 150 lumens, and are equipped with controls that automatically turn the lighting off when the drawer, cabinet or linen closet is closed.

§ 150.0(k)2A: **Interior Switches and Controls.** All forward phase cut dimmers used with LED light sources must comply with NEMA SSL 7A.

§ 150.0(k)2B: **Interior Switches and Controls.** Exhaust fans must be controlled separately from lighting systems.*

§ 150.0(k)2A: **Accessible Controls.** Lighting must have readily accessible wall-mounted controls that allow the lighting to be manually turned on and off.*

§ 150.0(k)2B: **Multiple Controls.** Controls must not bypass a dimmer, occupant sensor, or vacancy sensor function if the dimmer or sensor is installed to comply with § 150.0(k).

§ 150.0(k)2C: **Mandatory Requirements.** Lighting controls must comply with the applicable requirements of § 110.9.

§ 150.0(k)2D: **Energy Management Control Systems.** An energy management control system (EMCS) may be used to comply with dimming, occupancy, and control requirements if it provides the functionality of the specified control per § 110.9 and the physical controls specified in § 150.0(k)2A.

§ 150.0(k)2E: **Automatic Shut-off Controls.** In bathrooms, garages, laundry rooms, utility rooms and walk-in closets, at least one installed luminaire must be controlled by an occupancy or vacancy sensor providing automatic off functionality. Lighting inside drawers and cabinets with opaque fronts or doors must have controls that turn the light off when the drawer or door is closed.

§ 150.0(k)2F: **Dimmers.** Lighting in habitable spaces (e.g., living rooms, dining rooms, kitchens, and bedrooms) must have readily accessible wall-mounted dimming controls that allow the lighting to be manually adjusted up and down. Forward phase cut dimmers controlling LED light sources in these spaces must comply with NEMA SSL 7A.

§ 150.0(k)2K: **Independent controls.** Integrated lighting of exhaust fans shall be controlled independently from the fans. Lighting under cabinets or shelves, lighting in display cabinets, and switched outlets must be controlled separately from ceiling-installed lighting.

§ 150.0(k)3A: **Residential Outdoor Lighting.** For single-family residential buildings, outdoor lighting permanently mounted to a residential building, or to other buildings on the same lot, must have a manual on/off switch and either a photocell and motion sensor or automatic time switch control or an astronomical time clock. An energy management control system that provides the specified control functionality and meets all applicable requirements may be used to meet these requirements.

§ 150.0(k)4: **Internally illuminated address signs.** Internally illuminated address signs must either comply with § 140.8 or consume no more than 5 watts of power.

§ 150.0(k)5: **Residential Garages for Eight or More Vehicles.** Lighting for residential parking garages for eight or more vehicles must comply with the applicable requirements for nonresidential garages in §§ 110.9, 130.0, 130.1, 130.4, 140.6, and 141.0.

Solar Readiness:

§ 110.10(a)1: **Single-family Residences.** Single-family residences located in subdivisions with 10 or more single-family residences and where the application for a tentative subdivision map for the residences has been deemed complete and approved by the enforcement agency, which do not have a photovoltaic system installed, must comply with the requirements of § 110.10(b)-(e).

§ 110.10(b)1A: **Minimum Solar Zone Area.** The solar zone must have a minimum total area as described below. The solar zone must comply with access, pathway, smoke ventilation, and spacing requirements as specified in Title 24, Part 9 or other parts of Title 24 or in any requirements adopted by a local jurisdiction. The solar zone total area must be comprised of areas that have no dimension less than 5 feet and are no less than 80 square feet each for buildings with roof areas less than or equal to 10,000 square feet or no less than 160 square feet each for buildings with roof areas greater than 10,000 square feet. For single-family residences, the solar zone must be located on the roof or overhang of the building and have a total area no less than 250 square feet.*

§ 110.10(b)2: **Azimuth.** All sections of the solar zone located on steep-sloped roofs must have an azimuth between 90-300° of true north.

§ 110.10(b)3A: **Shading.** The solar zone must not contain any obstructions, including but not limited to: vents, chimneys, architectural features, and roof mounted equipment.*

§ 110.10(b)3B: **Shading.** Any obstruction located on the roof or any other part of the building that projects above a solar zone must be located at least twice the horizontal distance of the height difference between the highest point of the obstruction and the horizontal projection of the nearest point of the solar zone, measured in the vertical plane.*

§ 110.10(b)4: **Structural Design Loads on Construction Documents.** For areas of the roof designated as a solar zone, the structural design loads for roof dead load and roof live load must be clearly indicated on the construction documents.

§ 110.10(c): **Interconnection Pathways.** The construction documents must indicate a location reserved for inverters and metering equipment and a pathway reserved for routing of conduit from the solar zone to the point of interconnection with the electrical service; and for single-family residences and central water-heating systems, a pathway reserved for routing piping from the solar zone to the water-heating system.

§ 110.10(d): **Documentation.** A copy of the construction documents or a comparable document indicating the information from § 110.10(b)-(c) must be provided to the occupant.

§ 110.10(e)1: **Main Electrical Service Panel.** The main electrical service panel must have a minimum busbar rating of 200 amps.

§ 110.10(e)2: **Main Electrical Service Panel.** The main electrical service panel must have a reserved space to allow for the installation of a double pole circuit breaker for a future solar electric installation. The reserved space must be permanently marked as "For Future Solar Electric."

Electric and Energy Storage Ready:

§ 110.10(f): **Electric and Energy Storage Ready.** Single-family residences must be constructed to be ready for electric and energy storage systems. This includes, but is not limited to, providing a dedicated space for electric vehicle charging equipment, providing a dedicated space for energy storage equipment, and providing a dedicated space for electric and energy storage equipment.

§ 110.10(f)1: **Electric and Energy Storage Ready.** Single-family residences must be constructed to be ready for electric and energy storage systems. This includes, but is not limited to, providing a dedicated space for electric vehicle charging equipment, providing a dedicated space for energy storage equipment, and providing a dedicated space for electric and energy storage equipment.

§ 110.10(f)2: **Electric and Energy Storage Ready.** Single-family residences must be constructed to be ready for electric and energy storage systems. This includes, but is not limited to, providing a dedicated space for electric vehicle charging equipment, providing a dedicated space for energy storage equipment, and providing a dedicated space for electric and energy storage equipment.

§ 110.10(f)3: **Electric and Energy Storage Ready.** Single-family residences must be constructed to be ready for electric and energy storage systems. This includes, but is not limited to, providing a dedicated space for electric vehicle charging equipment, providing a dedicated space for energy storage equipment, and providing a dedicated space for electric and energy storage equipment.

§ 110.10(f)4: **Electric and Energy Storage Ready.** Single-family residences must be constructed to be ready for electric and energy storage systems. This includes, but is not limited to, providing a dedicated space for electric vehicle charging equipment, providing a dedicated space for energy storage equipment, and providing a dedicated space for electric and energy storage equipment.

§ 110.10(f)5: **Electric and Energy Storage Ready.** Single-family residences must be constructed to be ready for electric and energy storage systems. This includes, but is not limited to, providing a dedicated space for electric vehicle charging equipment, providing a dedicated space for energy storage equipment, and providing a dedicated space for electric and energy storage equipment.

§ 110.10(f)6: **Electric and Energy Storage Ready.** Single-family residences must be constructed to be ready for electric and energy storage systems. This includes, but is not limited to, providing a dedicated space for electric vehicle charging equipment, providing a dedicated space for energy storage equipment, and providing a dedicated space for electric and energy storage equipment.

§ 110.10(f)7: **Electric and Energy Storage Ready.** Single-family residences must be constructed to be ready for electric and energy storage systems. This includes, but is not limited to, providing a dedicated space for electric vehicle charging equipment, providing a dedicated space for energy storage equipment, and providing a dedicated space for electric and energy storage equipment.

§ 110.10(f)8: **Electric and Energy Storage Ready.** Single-family residences must be constructed to be ready for electric and energy storage systems. This includes, but is not limited to, providing a dedicated space for electric vehicle charging equipment, providing a dedicated space for energy storage equipment, and providing a dedicated space for electric and energy storage equipment.

§ 110.10(f)9: **Electric and Energy Storage Ready.** Single-family residences must be constructed to be ready for electric and energy storage systems. This includes, but is not limited to, providing a dedicated space for electric vehicle charging equipment, providing a dedicated space for energy storage equipment, and providing a dedicated space for electric and energy storage equipment.

§ 110.10(f)10: **Electric and Energy Storage Ready.** Single-family residences must be constructed to be ready for electric and energy storage systems. This includes, but is not limited to, providing a dedicated space for electric vehicle charging equipment, providing a dedicated space for energy storage equipment, and providing a dedicated space for electric and energy storage equipment.

§ 110.10(f)11: **Electric and Energy Storage Ready.** Single-family residences must be constructed to be ready for electric and energy storage systems. This includes, but is not limited to, providing a dedicated space for electric vehicle charging equipment, providing a dedicated space for energy storage equipment, and providing a dedicated space for electric and energy storage equipment.

§ 110.10(f)12: **Electric and Energy Storage Ready.** Single-family residences must be constructed to be ready for electric and energy storage systems. This includes, but is not limited to, providing a dedicated space for electric vehicle charging equipment, providing a dedicated space for energy storage equipment, and providing a dedicated space for electric and energy storage equipment.

§ 110.10(f)13: **Electric and Energy Storage Ready.** Single-family residences must be constructed to be ready for electric and energy storage systems. This includes, but is not limited to, providing a dedicated space for electric vehicle charging equipment, providing a dedicated space for energy storage equipment, and providing a dedicated space for electric and energy storage equipment.

§ 110.10(f)14: **Electric and Energy Storage Ready.** Single-family residences must be constructed to be ready for electric and energy storage systems. This includes, but is not limited to, providing a dedicated space for electric vehicle charging equipment, providing a dedicated space for energy storage equipment, and providing a dedicated space for electric and energy storage equipment.

§ 110.10(f)15: **Electric and Energy Storage Ready.** Single-family residences must be constructed to be ready for electric and energy storage systems. This includes, but is not limited to, providing a dedicated space for electric vehicle charging equipment, providing a dedicated space for energy storage equipment, and providing a dedicated space for electric and energy storage equipment.

§ 110.10(f)16: **Electric and Energy Storage Ready.** Single-family residences must be constructed to be ready for electric and energy storage systems. This includes, but is not limited to, providing a dedicated space for electric vehicle charging equipment, providing a dedicated space for energy storage equipment, and providing a dedicated space for electric and energy storage equipment.

§ 110.10(f)17:

2022 CALIFORNIA GREEN BUILDING STANDARDS CODE

RESIDENTIAL MANDATORY MEASURES (SHEET 1)



THESE PLANS ARE PROVIDED BY THE COUNTY OF SAN LUIS OBISPO AS PART OF THE PRE-APPROVED ADU PROGRAM AND ARE PUBLIC DOMAIN. THERE CANNOT BE A CHARGE TO PROVIDE THESE PLANS. NO ALTERATIONS TO THESE PLANS ARE ALLOWED. ALL ALTERATIONS MUST BE DONE UNDER A SEPARATE PERMIT UNDER THE BUILDING PERMIT FOR THE ADU HAS BEEN ISSUED AND FINAL INSPECTION COMPLETED. IF YOU DO NOT HAVE THE CONSTRUCTION KNOWLEDGE AND EXPERIENCE TO CONTRACT THESE PLANS WITHOUT FURTHER DETAILS, IT IS RECOMMENDED YOU HIRE A CONTRACTOR TO DO THE CONSTRUCTION. THE CITY WILL NOT PROVIDE FURTHER INFORMATION OR DETAILS AND BUILDING INSPECTORS WILL NOT PROVIDE STEP BY STEP INSTRUCTIONS IN THE FIELD.

CHAPTER 1 - ADMINISTRATION

SECTION 101 GENERAL

101.1 TITLE.
THESE REGULATIONS SHALL BE KNOWN AS THE CALIFORNIA GREEN BUILDING STANDARDS CODE AND MAY BE CITED AS SUCH AND WILL BE REFERRED TO HEREIN AS "THIS CODE." IT IS INTENDED THAT IT SHALL ALSO BE KNOWN AS THE CALGREEN CODE. THE CALIFORNIA GREEN BUILDING STANDARDS CODE IS PART 11 OF THIRTEEN PARTS OF THE OFFICIAL STANDARDS CODE OF REGULATIONS. THE CALIFORNIA GREEN BUILDING STANDARDS CODE IS PART 11 OF THIRTEEN PARTS OF THE OFFICIAL COMPILED AND PUBLISHED OF THE ADOPTION, AMENDMENT AND REPEAL OF BUILDING REGULATIONS TO THE CALIFORNIA CODE OF REGULATIONS, TITLE 24, ALSO REFERRED TO AS THE CALIFORNIA BUILDING STANDARDS CODE.

101.2 PURPOSE.
THE PURPOSE OF THIS CODE IS TO IMPROVE PUBLIC HEALTH, SAFETY AND GENERAL WELFARE BY ENHANCING THE DESIGN AND CONSTRUCTION OF BUILDINGS THROUGH THE USE OF BUILDING CONCEPTS HAVING A REDUCED NEGATIVE IMPACT OR POSITIVE ENVIRONMENTAL IMPACT AND ENCOURAGING SUSTAINABLE CONSTRUCTION PRACTICES IN THE FOLLOWING CATEGORIES:
1. PLANNING AND DESIGN.
2. ENERGY EFFICIENCY.
3. WATER EFFICIENCY AND CONSERVATION.
4. MATERIAL CONSERVATION AND RESOURCE EFFICIENCY.
5. ENVIRONMENTAL QUALITY.

101.3 SCOPE.
THE PROVISIONS OF THIS CODE SHALL APPLY TO THE PLANNING, DESIGN, OPERATION, CONSTRUCTION, USE AND OCCUPANCY OF EVERY NEWLY CONSTRUCTED BUILDING OR STRUCTURE, UNLESS OTHERWISE INDICATED IN THIS CODE, THROUGHOUT THE STATE OF CALIFORNIA.

IT IS NOT THE INTENT THAT THIS CODE SUBSTITUTE OR BE IDENTIFIED AS MEETING THE CERTIFICATION REQUIREMENTS OF ANY GREEN BUILDING PROGRAM.

SECTION 102 CONSTRUCTION DOCUMENTS AND INSTALLATION VERIFICATION

102.1 SUBMITTAL DOCUMENTS.
CONSTRUCTION DOCUMENTS AND OTHER DATA SHALL BE SUBMITTED IN ONE OR MORE SETS WITH EACH APPLICATION FOR A PERMIT, WHERE SPECIAL CONDITIONS EXIST, THE ENFORCING AGENCY IS AUTHORIZED TO REQUIRE ADDITIONAL CONSTRUCTION DOCUMENTS TO BE PREPARED BY A LICENSED DESIGN PROFESSIONAL AND MAY BE SUBMITTED SEPARATELY.
EXCEPTION: THE ENFORCING AGENCY IS AUTHORIZED TO WAIVE THE SUBMISSION OF CONSTRUCTION DOCUMENTS AND OTHER DATA NOT REQUIRED TO BE PREPARED BY A LICENSED DESIGN PROFESSIONAL.

102.2 INFORMATION ON CONSTRUCTION DOCUMENTS.
CONSTRUCTION DOCUMENTS SHALL BE OF SUFFICIENT CLARITY TO INDICATE THE LOCATION, NATURE AND SCOPE OF THE PROPOSED GREEN BUILDING FEATURE AND SHOW THAT IT WILL CONFORM TO THE PROVISIONS OF THIS CODE, THE CALIFORNIA BUILDING STANDARDS CODE AND OTHER RELEVANT LAWS, ORDINANCES, RULES AND REGULATIONS AS DETERMINED BY THE ENFORCING AGENCY.

102.3 VERIFICATION.
DOCUMENTATION OF CONFORMANCE FOR APPLICABLE GREEN BUILDING MEASURES SHALL BE PROVIDED TO THE ENFORCING AGENCY. ALTERNATE METHODS OF DOCUMENTATION SHALL BE ACCEPTABLE WHEN THE ENFORCING AGENCY FINDS THAT THE PROPOSED ALTERNATE DOCUMENTATION IS SATISFACTORY TO DEMONSTRATE SUBSTANTIAL CONFORMANCE WITH THE INTENT OF THE PROPOSED GREEN BUILDING MEASURE.

CHAPTER 3 - GREEN BUILDING

SECTION 301 GENERAL

301.1 SCOPE.
BUILDINGS SHALL BE DESIGNED TO INCLUDE THE GREEN BUILDING MEASURES SPECIFIED AS MANDATORY IN THE APPLICATION CHECKLISTS CONTAINED IN THIS CODE. VOLUNTARY GREEN BUILDING MEASURES, ALSO INCLUDED IN THE APPLICATION CHECKLISTS AND MAY BE INCLUDED IN THE DESIGN AND CONSTRUCTION OF STRUCTURES COVERED BY THIS CODE, BUT ARE NOT REQUIRED UNLESS ADOPTED BY A CITY, COUNTY, OR CITY AND COUNTY AS SPECIFIED IN SECTION 101.7.

301.1.1 ADDITIONS AND ALTERATIONS. [HCD] THE MANDATORY PROVISIONS OF CHAPTER 4 SHALL BE APPLIED TO ADDITIONS OR ALTERATIONS OF EXISTING RESIDENTIAL BUILDINGS WHERE THE ADDITION OR ALTERATION INCREASES THE BUILDING'S CONDITIONED AREA, VOLUME, OR SIZE. THE REQUIREMENTS SHALL APPLY ONLY TO AND/OR WITHIN THE SPECIFIC AREA OF THE ADDITION OR ALTERATION.

THE MANDATORY PROVISIONS OF SECTION 4.106.4.2 MAY APPLY TO ADDITIONS OR ALTERATIONS OF EXISTING PARKING FACILITIES OR THE ADDITION OF NEW PARKING FACILITIES SERVING EXISTING MULTIFAMILY BUILDINGS. SEE SECTION 4.106.4.3 FOR APPLICATION.

NOTE: REPAIRS INCLUDING, BUT NOT LIMITED TO, RESURFACING, RESTRIPIING, AND REPAIRING OR MAINTAINING EXISTING LIGHTING FIXTURES ARE NOT CONSIDERED ALTERATIONS FOR THE PURPOSE OF THIS SECTION.

301.2 LOW-RISE AND HIGH-RISE RESIDENTIAL BUILDINGS [HCD].
THE PROVISIONS OF INDIVIDUAL SECTIONS OF CALGREEN MAY APPLY TO EITHER LOW-RISE RESIDENTIAL BUILDINGS, HIGH-RISE RESIDENTIAL BUILDINGS, OR BOTH. INDIVIDUAL SECTIONS WILL BE DESIGNATED BY BANNERS TO INDICATE WHERE THE SECTION APPLIES SPECIFICALLY TO LOW-RISE ONLY (LR) OR HIGH-RISE ONLY (HR), WHEN THE SECTION APPLIES TO BOTH LOW-RISE AND HIGH-RISE BUILDINGS, NO BANNER WILL BE USED.

SECTION 302 MIXED OCCUPANCY BUILDINGS

302.1 MIXED OCCUPANCY BUILDINGS.
IN MIXED OCCUPANCY BUILDINGS, EACH PORTION OF A BUILDING SHALL COMPLY WITH THE SPECIFIC GREEN BUILDING MEASURES APPLICABLE TO EACH SPECIFIC OCCUPANCY.

CHAPTER 4 - RESIDENTIAL MANDATORY MEASURES

DIVISION 4.1 PLANNING AND DESIGN

4.106 SITE DEVELOPMENT

4.106.1 GENERAL.
PRESERVATION AND USE OF AVAILABLE NATURAL RESOURCES SHALL BE ACCOMPLISHED THROUGH EVALUATION AND CAREFUL PLANNING TO MINIMIZE NEGATIVE EFFECTS ON THE SITE AND ADJACENT AREAS. PRESERVATION OF SLOPES, MANAGEMENT OF STORM WATER DRAINAGE AND EROSION CONTROLS SHALL COMPLY WITH THIS SECTION.

4.106.2 STORM WATER DRAINAGE AND RETENTION DURING CONSTRUCTION
PROJECTS WHICH DISTURB LESS THAN ONE ACRE OF SOIL AND ARE NOT PART OF A LARGER COMMON PLAN OF DEVELOPMENT WHICH IN TOTAL DISTURBS ONE ACRE OR MORE, SHALL MANAGE STORM WATER DRAINAGE DURING CONSTRUCTION. IN ORDER TO MANAGE STORM WATER DRAINAGE DURING CONSTRUCTION, ONE OR MORE OF THE FOLLOWING MEASURES SHALL BE IMPLEMENTED TO PREVENT FLOODING OF ADJACENT PROPERTY, PREVENT EROSION AND RETAIN SOIL RUNOFF ON THE SITE.

1. RETENTION BASINS OF SUFFICIENT SIZE SHALL BE UTILIZED TO RETAIN STORM WATER ON THE SITE.
2. WHERE STORM WATER IS CONVEYED TO A PUBLIC DRAINAGE SYSTEM, COLLECTION POINT, GUTTER OR SIMILAR DISPOSAL METHOD, WATER SHALL BE FILTERED BY USE OF A BARRIER SYSTEM, WATTLE OR OTHER METHOD APPROVED BY THE ENFORCING AGENCY.
3. COMPLIANCE WITH A LAWFULLY ENACTED STORM WATER MANAGEMENT ORDINANCE.

4.106.3 GRADING AND PAVING
CONSTRUCTION PLANS SHALL INDICATE HOW THE SITE GRADING OR DRAINAGE SYSTEM WILL MANAGE ALL SURFACE WATER FLOWS TO KEEP WATER FROM ENTERING BUILDINGS. EXAMPLES OF METHODS TO MANAGE SURFACE WATER INCLUDE, BUT ARE NOT LIMITED TO, THE FOLLOWING:

1. SWALES
2. WATER COLLECTION AND DISPOSAL SYSTEMS
3. FRENCH DRAINS
4. WATER RETENTION GARDENS
5. OTHER WATER MEASURES WHICH KEEP SURFACE WATER AWAY FROM BUILDINGS AND AID IN GROUNDWATER RECHARGE.

EXCEPTIONS: ADDITIONS AND ALTERATIONS NOT ALTERING THE DRAINAGE PATH.
4.106.4 ELECTRIC VEHICLE (EV) CHARGING FOR NEW CONSTRUCTION
NEW CONSTRUCTION SHALL COMPLY WITH SECTION 4.106.4.1, 4.106.4.2, OR 4.106.4.3, TO FACILITATE FUTURE INSTALLATION AND USE OF EV CHARGERS. ELECTRIC VEHICLE SUPPLY EQUIPMENT (EVSE) SHALL BE INSTALLED IN ACCORDANCE WITH THE CALIFORNIA ELECTRICAL CODE, ARTICLE 625.

EXCEPTIONS:
1. ON A CASE-BY-CASE BASIS, WHERE THE LOCAL ENFORCING AGENCY HAS DETERMINED THAT THE MINIMUM REQUIRED, AN AUTOMATIC LOAD MANAGEMENT SYSTEM (ALMS) MAY BE USED TO REDUCE THE MAXIMUM REQUIRED ELECTRICAL CAPACITY TO EACH SPACE SERVED BY THE ALMS. THE ELECTRICAL SYSTEM AND ANY ON-SITE DISTRIBUTION TRANSFORMERS SHALL HAVE SUFFICIENT CAPACITY TO DELIVER AT LEAST 3.3 KW SIMULTANEOUSLY TO EACH EV CHARGING STATION (EVCS) SERVED BY THE ALMS. THE BRANCH CIRCUIT SHALL HAVE A MINIMUM CAPACITY OF 40 AMPERES, AND INSTALLED EVSE SHALL HAVE A CAPACITY OF NOT LESS THAN 30 AMPERES. ALMS SHALL NOT BE USED TO REDUCE THE MINIMUM REQUIRED ELECTRICAL CAPACITY TO THE REQUIRED EV CAPABLE SPACES.

4.106.4.1 NEW ONE- AND TWO-FAMILY DWELLINGS AND TOWNHOUSES WITH ATTACHED PRIVATE GARAGES
FOR EACH DWELLING UNIT, INSTALL A LISTED RACEWAY TO ACCOMMODATE A DEDICATED 208/240-VOLT BRANCH CIRCUIT. THE RACEWAY SHALL NOT BE LESS THAN TRADE SIZE 1 (NOMINAL 1-INCH INSIDE DIAMETER). THE RACEWAY SHALL ORIGINATE AT THE MAIN SERVICE OR SUBPANEL AND SHALL TERMINATE INTO A LISTED CABINET, BOX OR OTHER ENCLOSURE IN CLOSE PROXIMITY TO THE PROPOSED LOCATION OF AN EV CHARGER. RACEWAYS ARE REQUIRED TO BE CONTINUOUS AT ENCLOSED, INACCESSIBLE OR CONCEALED AREAS AND SPACES. THE SERVICE PANEL AND/OR SUBPANEL SHALL PROVIDE CAPACITY TO INSTALL A 40-AMPERE MINIMUM DEDICATED BRANCH CIRCUIT AND SPACE(S) RESERVED TO PERMIT INSTALLATION OF A BRANCH CIRCUIT OVERCURRENT PROTECTION DEVICE.

4.106.4.1.1 IDENTIFICATION
THE SERVICE PANEL OR SUBPANEL CIRCUIT DIRECTORY SHALL IDENTIFY THE OVERCURRENT PROTECTIVE DEVICE SPACE(S) RESERVED FOR FUTURE EV CHARGING AS "EV CAPABLE". THE RACEWAY TERMINATION LOCATION SHALL BE PERMANENTLY AND VISIBLY MARKED AS "EV CAPABLE".

4.106.4.2 NEW MULTIFAMILY DWELLINGS, HOTELS AND MOTELS AND NEW RESIDENTIAL PARKING FACILITIES
WHEN PARKING IS PROVIDED, PARKING SPACES FOR NEW MULTIFAMILY DWELLINGS, HOTELS AND MOTELS SHALL MEET THE REQUIREMENTS OF SECTIONS 4.106.4.2.1 AND 4.106.4.2.2. CALCULATIONS FOR SPACES SHALL BE ROUNDED UP TO THE NEAREST WHOLE NUMBER. PARKING SPACES SERVED BY ELECTRIC VEHICLE SUPPLY EQUIPMENT OR DESIGNED AS A FUTURE EV CHARGING SPACE SHALL COUNT AS AT LEAST ONE STANDARD AUTOMOBILE PARKING SPACE ONLY FOR THE PURPOSE OF COMPLYING WITH ANY APPLICABLE MINIMUM PARKING SPACE REQUIREMENTS ESTABLISHED BY A LOCAL JURISDICTION. SEE VEHICLE CODE SECTION 22511.2 FOR FURTHER DETAILS.

4.106.4.2.1 MULTIFAMILY DEVELOPMENT PROJECTS WITH LESS THAN 20 DWELLING UNITS, AND HOTELS AND MOTELS WITH LESS THAN 20 SLEEPING UNITS OR GUEST ROOMS
THE NUMBER OF DWELLING UNITS, SLEEPING UNITS OR GUEST ROOMS SHALL BE BASED ON ALL BUILDINGS ON A PROJECT SITE SUBJECT TO THIS SECTION.

1. **EV CAPABLE.** TEN (10) PERCENT OF THE TOTAL NUMBER OF PARKING SPACES ON A BUILDING SITE, PROVIDED FOR ALL TYPES OF PARKING FACILITIES, SHALL BE ELECTRIC VEHICLE CHARGING SPACES (EV SPACES) CAPABLE OF SUPPORTING FUTURE LEVEL 2 EVSE. ELECTRICAL LOAD CALCULATIONS SHALL DEMONSTRATE THAT THE ELECTRICAL PANEL SERVICE CAPACITY AND ELECTRICAL SYSTEM, INCLUDING ANY ON-SITE DISTRIBUTION TRANSFORMERS, HAVE SUFFICIENT CAPACITY TO SIMULTANEOUSLY CHARGE ALL EVS AT ALL REQUIRED EV SPACES AT A MINIMUM OF 40 AMPERES.

THE SERVICE PANEL OR SUBPANEL CIRCUIT DIRECTORY SHALL IDENTIFY THE OVERCURRENT PROTECTIVE DEVICE SPACE(S) RESERVED FOR FUTURE EV CHARGING PURPOSES AS "EV CAPABLE" IN ACCORDANCE WITH THE CALIFORNIA ELECTRICAL CODE.

1. WHEN EV CHARGERS (LEVEL 2 EVSE) ARE INSTALLED IN A NUMBER EQUAL TO OR GREATER THAN THE REQUIRED NUMBER OF EV CAPABLE SPACES.
2. WHEN EV CHARGERS (LEVEL 2 EVSE) ARE INSTALLED IN A NUMBER LESS THAN THE REQUIRED NUMBER OF EV CAPABLE SPACES, THE NUMBER OF EV CAPABLE SPACES REQUIRED MAY BE REDUCED BY A NUMBER EQUAL TO THE NUMBER OF EV CHARGERS INSTALLED.

NOTES:
a. CONSTRUCTION DOCUMENTS ARE INTENDED TO DEMONSTRATE THE PROJECT'S CAPABILITY AND CAPACITY FOR FACILITATING FUTURE EV CHARGING.
b. THERE IS NO REQUIREMENT FOR EV SPACES TO BE CONSTRUCTED OR AVAILABLE UNTIL RECEPTACLES FOR EV CHARGING OR EV CHARGERS ARE INSTALLED FOR USE.

2. **EV READY.** TWENTY-FIVE (25) PERCENT OF THE TOTAL NUMBER OF PARKING SPACES SHALL BE EQUIPPED WITH LOW POWER LEVEL 2 EV CHARGING RECEPTACLES. FOR MULTIFAMILY PARKING FACILITIES, NO MORE THAN ONE RECEPTACLE IS REQUIRED PER DWELLING UNIT WHEN MORE THAN ONE PARKING SPACE IS PROVIDED FOR USE BY A SINGLE DWELLING UNIT.
EXCEPTION: AREAS OF PARKING FACILITIES SERVED BY PARKING LIFTS.

4.106.4.2.2 MULTIFAMILY DEVELOPMENT PROJECTS WITH 20 OR MORE DWELLING UNITS, HOTELS AND MOTELS WITH 20 OR MORE SLEEPING UNITS OR GUEST ROOMS
THE NUMBER OF DWELLING UNITS, SLEEPING UNITS OR GUEST ROOMS SHALL BE BASED ON ALL BUILDINGS ON A PROJECT SITE SUBJECT TO THIS SECTION.

1. **EV CAPABLE.** TEN (10) PERCENT OF THE TOTAL NUMBER OF PARKING SPACES ON A BUILDING SITE, PROVIDED FOR ALL TYPES OF PARKING FACILITIES, SHALL BE ELECTRIC VEHICLE CHARGING SPACES (EV SPACES) CAPABLE OF SUPPORTING FUTURE LEVEL 2 EVSE. ELECTRICAL LOAD CALCULATIONS SHALL DEMONSTRATE THAT THE ELECTRICAL PANEL SERVICE CAPACITY AND ELECTRICAL SYSTEM, INCLUDING ANY ON-SITE DISTRIBUTION TRANSFORMERS, HAVE SUFFICIENT CAPACITY TO SIMULTANEOUSLY CHARGE ALL EVS AT ALL REQUIRED EV SPACES AT A MINIMUM OF 40 AMPERES.

THE SERVICE PANEL OR SUBPANEL CIRCUIT DIRECTORY SHALL IDENTIFY THE OVERCURRENT PROTECTIVE DEVICE SPACE(S) RESERVED FOR FUTURE EV CHARGING PURPOSES AS "EV CAPABLE" IN ACCORDANCE WITH THE CALIFORNIA ELECTRICAL CODE.

EXCEPTION: WHEN EV CHARGERS (LEVEL 2 EVSE) ARE INSTALLED IN A NUMBER GREATER THAN FIVE (5) PERCENT OF PARKING SPACES REQUIRED BY SECTION 4.106.4.2.2, ITEM 3, THE NUMBER OF EV CAPABLE SPACES REQUIRED MAY BE REDUCED BY A NUMBER EQUAL TO THE NUMBER OF EV CHARGERS INSTALLED OVER THE FIVE (5) PERCENT REQUIRED.

NOTES:
CONSTRUCTION DOCUMENTS SHALL SHOW LOCATIONS OF FUTURE EV SPACES. THERE IS NO REQUIREMENT FOR EV SPACES TO BE CONSTRUCTED OR AVAILABLE UNTIL RECEPTACLES FOR EV CHARGING OR EV CHARGERS ARE INSTALLED FOR USE.

2. **EV READY.** TWENTY-FIVE (25) PERCENT OF THE TOTAL NUMBER OF PARKING SPACES SHALL BE EQUIPPED WITH LOW POWER LEVEL 2 EV CHARGING RECEPTACLES. FOR MULTIFAMILY PARKING FACILITIES, NO MORE THAN ONE RECEPTACLE IS REQUIRED PER DWELLING UNIT WHEN MORE THAN ONE PARKING SPACE IS PROVIDED FOR USE BY A SINGLE DWELLING UNIT.

EXCEPTION: AREAS OF PARKING FACILITIES SERVED BY PARKING LIFTS.
3. **EV CHARGERS.** FIVE (5) PERCENT OF THE TOTAL NUMBER OF PARKING SPACES SHALL BE EQUIPPED WITH LEVEL 2 EVSE. WHERE COMMON USE PARKING IS PROVIDED, AT LEAST ONE EV CHARGER SHALL BE LOCATED IN THE COMMON USE PARKING AREA AND SHALL BE AVAILABLE FOR USE BY ALL RESIDENTS OR GUESTS.

WHEN LOW POWER LEVEL 2 EV CHARGING RECEPTACLES OR LEVEL 2 EVSE ARE INSTALLED BEYOND THE MINIMUM REQUIRED, AN AUTOMATIC LOAD MANAGEMENT SYSTEM (ALMS) MAY BE USED TO REDUCE THE MAXIMUM REQUIRED ELECTRICAL CAPACITY TO EACH SPACE SERVED BY THE ALMS. THE ELECTRICAL SYSTEM AND ANY ON-SITE DISTRIBUTION TRANSFORMERS SHALL HAVE SUFFICIENT CAPACITY TO DELIVER AT LEAST 3.3 KW SIMULTANEOUSLY TO EACH EV CHARGING STATION (EVCS) SERVED BY THE ALMS. THE BRANCH CIRCUIT SHALL HAVE A MINIMUM CAPACITY OF 40 AMPERES, AND INSTALLED EVSE SHALL HAVE A CAPACITY OF NOT LESS THAN 30 AMPERES. ALMS SHALL NOT BE USED TO REDUCE THE MINIMUM REQUIRED ELECTRICAL CAPACITY TO THE REQUIRED EV CAPABLE SPACES.

4.106.4.2.2.1 ELECTRIC VEHICLE CHARGING STATIONS (EVCS)
ELECTRIC VEHICLE CHARGING STATIONS REQUIRED BY SECTION 4.106.4.2.2, ITEM 3, SHALL COMPLY WITH SECTION 4.106.4.2.2.1.

EXCEPTION: ELECTRIC VEHICLE CHARGING STATIONS SERVING PUBLIC ACCOMMODATIONS, PUBLIC HOUSING, MOTELS AND HOTELS SHALL NOT BE REQUIRED TO COMPLY WITH THIS SECTION. SEE CALIFORNIA BUILDING CODE, CHAPTER 11B, FOR APPLICABLE REQUIREMENTS.

4.106.4.2.2.1.1 LOCATION
EVCS SHALL COMPLY WITH AT LEAST ONE OF THE FOLLOWING OPTIONS:
THE CHARGING SPACE SHALL BE LOCATED ADJACENT TO AN ACCESSIBLE PARKING SPACE MEETING THE REQUIREMENTS OF THE CALIFORNIA BUILDING CODE, CHAPTER 11A, TO ALLOW USE OF THE EV CHARGER FROM THE ACCESSIBLE PARKING SPACE.

THE CHARGING SPACE SHALL BE LOCATED ON AN ACCESSIBLE ROUTE, AS DEFINED IN THE CALIFORNIA BUILDING CODE, CHAPTER 2, TO THE BUILDING.

EXCEPTION: ELECTRIC VEHICLE CHARGING STATIONS DESIGNED AND CONSTRUCTED IN COMPLIANCE WITH THE CALIFORNIA BUILDING CODE, CHAPTER 11B, ARE NOT REQUIRED TO COMPLY WITH SECTION 4.106.4.2.2.1.1 AND SECTION 4.106.4.2.2.1.2, ITEM 3.

4.106.4.2.2.1.2 ELECTRIC VEHICLE CHARGING STATIONS (EVCS) DIMENSIONS
THE CHARGING SPACES SHALL BE DESIGNED TO COMPLY WITH THE FOLLOWING:
1. THE MINIMUM LENGTH OF EACH EV SPACE SHALL BE 18 FEET.
2. THE MINIMUM WIDTH OF EACH EV SPACE SHALL BE 9 FEET.
3. ONE IN EVERY 25 CHARGING SPACES, BUT NOT LESS THAN ONE, SHALL ALSO HAVE AN 8-FOOT WIDE MINIMUM AISLE. A 5-FOOT WIDE MINIMUM AISLE SHALL BE PERMITTED PROVIDED THE MINIMUM WIDTH OF THE EV SPACE IS 12 FEET.
a. SURFACE SLOPE FOR THIS EV SPACE AND THE AISLE SHALL NOT EXCEED 1 UNIT VERTICAL IN 48 UNITS HORIZONTAL (2.083 PERCENT SLOPE) IN ANY DIRECTION.

4.106.4.2.2.1.3 ACCESSIBLE EV SPACES
IN ADDITION TO THE REQUIREMENTS IN SECTIONS 4.106.4.2.2.1.1 AND 4.106.4.2.2.1.2, ALL EVSE, WHEN INSTALLED, SHALL COMPLY WITH THE ACCESSIBILITY PROVISIONS FOR EV CHARGERS IN THE CALIFORNIA BUILDING CODE, CHAPTER 11B, AND THE CALIFORNIA BUILDING CODE, CHAPTER 11A, SECTION 1109A.

4.106.4.2.3 EV SPACE REQUIREMENTS

1. **SINGLE EV SPACE REQUIRED.** INSTALL A LISTED RACEWAY CAPABLE OF ACCOMMODATING A 208/240-VOLT DEDICATED BRANCH CIRCUIT. THE RACEWAY SHALL NOT BE LESS THAN TRADE SIZE 1 (NOMINAL 1-INCH INSIDE DIAMETER). THE RACEWAY SHALL ORIGINATE AT THE MAIN SERVICE OR SUBPANEL AND SHALL TERMINATE INTO A LISTED CABINET, BOX OR ENCLOSURE IN CLOSE PROXIMITY TO THE LOCATION OF THE PROPOSED LOCATION OF THE EV SPACE. CONSTRUCTION DOCUMENTS SHALL IDENTIFY THE RACEWAY TERMINATION POINT, RECEPTACLE OR CHARGER LOCATION, AS APPLICABLE. THE SERVICE PANEL AND/OR SUBPANEL SHALL HAVE A 40-AMPERE MINIMUM DEDICATED BRANCH CIRCUIT, INCLUDING BRANCH CIRCUIT OVERCURRENT PROTECTIVE DEVICE INSTALLED, OR SPACE(S) RESERVED TO PERMIT INSTALLATION OF A BRANCH CIRCUIT OVERCURRENT PROTECTIVE DEVICE.

EXCEPTION: A RACEWAY IS NOT REQUIRED IF A MINIMUM 40-AMPERE 208/240-VOLT DEDICATED EV BRANCH CIRCUIT IS INSTALLED IN CLOSE PROXIMITY TO THE LOCATION OR THE PROPOSED LOCATION OF THE EV SPACE, AT THE TIME OF ORIGINAL CONSTRUCTION IN ACCORDANCE WITH THE CALIFORNIA ELECTRICAL CODE.

2. **MULTIPLE EV SPACES REQUIRED.** CONSTRUCTION DOCUMENTS SHALL INDICATE THE RACEWAY TERMINATION POINT AND THE LOCATION OF INSTALLED OR FUTURE EV SPACES, RECEPTACLES OR EV CHARGERS. CONSTRUCTION DOCUMENTS SHALL ALSO PROVIDE INFORMATION ON AMPERAGE OF INSTALLED OR FUTURE RECEPTACLES OR EVSE, RACEWAY METHODS, WIRING SCHEMATICS AND ELECTRICAL LOAD CALCULATIONS. PLAN DESIGN SHALL BE BASED UPON A 40-AMPERE MINIMUM BRANCH CIRCUIT, REQUIRED RACEWAYS AND RELATED COMPONENTS THAT ARE PLANNED TO BE INSTALLED UNDERGROUND, ENCLOSED, INACCESSIBLE OR IN CONCEALED AREAS AND SPACES SHALL BE INSTALLED AT THE TIME OF ORIGINAL CONSTRUCTION.

EXCEPTION: A RACEWAY IS NOT REQUIRED IF A MINIMUM 40-AMPERE 208/240-VOLT DEDICATED EV BRANCH CIRCUIT IS INSTALLED IN CLOSE PROXIMITY TO THE LOCATION OR THE PROPOSED LOCATION OF THE EV SPACE, AT THE TIME OF ORIGINAL CONSTRUCTION IN ACCORDANCE WITH THE CALIFORNIA ELECTRICAL CODE.

4.106.4.2.4 IDENTIFICATION
THE SERVICE PANEL OR SUBPANEL CIRCUIT DIRECTORY SHALL IDENTIFY THE OVERCURRENT PROTECTIVE DEVICE SPACE(S) RESERVED FOR FUTURE EV CHARGING PURPOSES AS "EV CAPABLE" IN ACCORDANCE WITH THE CALIFORNIA ELECTRICAL CODE.

4.106.4.2.5 ELECTRIC VEHICLE READY SPACE SIGNAGE
ELECTRIC VEHICLE READY SPACES SHALL BE IDENTIFIED BY SIGNAGE OR PAVEMENT MARKINGS, IN COMPLIANCE WITH CALTRANS TRAFFIC OPERATIONS POLICY DIRECTIVE 13-01 (ZERO EMISSION VEHICLE SIGNS AND PAVEMENT MARKINGS) OR ITS SUCCESSORS(S).

4.106.4.3 ELECTRIC VEHICLE CHARGING FOR ADDITIONS AND ALTERATIONS OF PARKING FACILITIES SERVING EXISTING MULTIFAMILY BUILDINGS
WHEN NEW PARKING FACILITIES ARE ADDED OR ELECTRICAL SYSTEMS OR LIGHTING OF EXISTING PARKING FACILITIES ARE ADDED OR ALTERED AND THE WORK REQUIRES A BUILDING PERMIT, TEN (10) PERCENT OF THE TOTAL NUMBER OF PARKING SPACES ADDED OR ALTERED SHALL BE ELECTRIC VEHICLE CHARGING SPACES (EV SPACES) CAPABLE OF SUPPORTING FUTURE LEVEL 2 EVSE.

NOTES:
1. CONSTRUCTION DOCUMENTS ARE INTENDED TO DEMONSTRATE THE PROJECT'S CAPABILITY AND CAPACITY FOR FACILITATING FUTURE EV CHARGING.
2. THERE IS NO REQUIREMENT FOR EV SPACES TO BE CONSTRUCTED OR AVAILABLE UNTIL EV CHARGERS ARE INSTALLED FOR USE.

DIVISION 4.2 ENERGY EFFICIENCY

4.201 GENERAL
4.201.1 SCOPE.
FOR THE PURPOSES OF MANDATORY ENERGY EFFICIENCY STANDARDS IN THIS CODE, THE CALIFORNIA ENERGY COMMISSION WILL CONTINUE TO ADOPT MANDATORY STANDARDS.

DIVISION 4.3 WATER EFFICIENCY AND CONSERVATION

4.303 INDOOR WATER USE

4.303.1 WATER CONSERVING PLUMBING FIXTURES AND FITTINGS
PLUMBING FIXTURES (WATER CLOSETS AND URINALS) AND FITTINGS (FAUCETS AND SHOWERHEADS) SHALL COMPLY WITH THE FOLLOWING:

4.303.1.1 WATER CLOSETS
THE EFFECTIVE FLUSH VOLUME OF ALL WATER CLOSETS SHALL NOT EXCEED 1.28 GALLONS PER FLUSH. TANK-TYPE WATER CLOSETS SHALL BE CERTIFIED TO THE PERFORMANCE CRITERIA OF THE U.S. EPA WATERSENSE SPECIFICATION FOR TANK TYPE TOILET.

NOTE: THE EFFECTIVE FLUSH VOLUME OF DUAL FLUSH TOILETS IS DEFINED AS THE COMPOSITE AVERAGE FLUSH VOLUME OF TWO REDUCED FLUSHES AND ONE FULL FLUSH.

4.303.1.2 URINALS
THE EFFECTIVE FLUSH VOLUME OF WALL-MOUNTED URINALS SHALL NOT EXCEED 0.125 GALLONS PER FLUSH. THE EFFECTIVE FLUSH VOLUME OF ALL OTHER URINALS SHALL NOT EXCEED 0.5 GALLONS PER FLUSH.

4.303.1.3 SHOWERHEADS
4.303.1.3.1 SINGLE SHOWERHEAD
SINGLE SHOWERHEADS SHALL HAVE A MAXIMUM FLOW RATE OF NOT MORE THAN 1.8 GALLONS PER MINUTE AT 80 PSI. SHOWERHEADS SHALL BE CERTIFIED TO THE PERFORMANCE CRITERIA OF THE U.S. EPA WATERSENSE SPECIFICATION FOR SHOWERHEADS.

4.303.1.3.2 MULTIPLE SHOWERHEADS SERVING ONE SHOWER
WHEN A SHOWER IS SERVED BY MORE THAN ONE SHOWERHEAD, THE COMBINED FLOW RATE OF ALL SHOWERHEADS AND/OR OTHER SHOWER OUTLETS CONTROLLED BY A SINGLE VALVE SHALL NOT EXCEED 1.8 GALLONS PER MINUTE AT 80 PSI, OR THE SHOWER SHALL BE DESIGNED TO ALLOW ONLY ONE SHOWER OUTLET TO BE IN OPERATION AT A TIME.

NOTE: A HAND HELD SHOWER SHALL BE CONSIDERED A SHOWERHEAD.

4.303.1.4 FAUCETS
4.303.1.4.1 RESIDENTIAL LAVATORY FAUCETS
THE MAXIMUM FLOW RATE OF RESIDENTIAL LAVATORY FAUCETS SHALL NOT EXCEED 1.2 GALLONS PER MINUTE AT 80 PSI. THE MINIMUM FLOW RATE OF RESIDENTIAL LAVATORY FAUCETS SHALL NOT BE LESS THAN 0.8 GALLONS PER MINUTE AT 20 PSI.

4.303.1.4.2 LAVATORY FAUCETS IN COMMON AND PUBLIC USE AREAS
THE MAXIMUM FLOW RATE OF LAVATORY FAUCETS INSTALLED IN COMMON AND PUBLIC USE AREAS (OUTSIDE OF DWELLINGS OR SLEEPING UNITS) IN RESIDENTIAL BUILDINGS SHALL NOT EXCEED 0.5 GALLONS PER MINUTE AT 60 PSI.

4.303.1.4.3 METERING FAUCETS
METERING FAUCETS WHEN INSTALLED IN RESIDENTIAL BUILDINGS SHALL NOT DELIVER MORE THAN 0.2 GALLONS PER CYCLE.

4.303.1.4.4 KITCHEN FAUCETS
THE MAXIMUM FLOW RATE OF KITCHEN FAUCETS SHALL NOT EXCEED 1.8 GALLONS PER MINUTE AT 60 PSI. KITCHEN FAUCETS MAY TEMPORARILY INCREASE THE FLOW ABOVE THE MAXIMUM RATE, BUT NOT TO EXCEED 2.2 GALLONS PER MINUTE AT 80 PSI, AND MUST DEFAULT TO A MAXIMUM FLOW RATE OF 1.8 GALLONS PER MINUTE AT 60 PSI.

NOTE: WHERE COMPLYING FAUCETS ARE UNAVAILABLE, AERATORS OR OTHER MEANS MAY BE USED TO ACHIEVE REDUCTION.

4.303.2 SUBMETERS FOR MULTIFAMILY BUILDINGS AND DWELLING UNITS IN MIXED-USE RESIDENTIAL/COMMERCIAL BUILDINGS
SUBMETERS SHALL BE INSTALLED TO MEASURE WATER USAGE OF INDIVIDUAL RENTAL DWELLING UNITS IN ACCORDANCE WITH THE CALIFORNIA PLUMBING CODE.

4.303.2 SUBMETERS FOR MULTIFAMILY BUILDINGS AND DWELLING UNITS IN MIXED-USE RESIDENTIAL/COMMERCIAL BUILDINGS
SUBMETERS SHALL BE INSTALLED TO MEASURE WATER USAGE OF INDIVIDUAL RENTAL DWELLING UNITS IN ACCORDANCE WITH THE CALIFORNIA PLUMBING CODE.

4.303.3 STANDARDS FOR PLUMBING FIXTURES AND FITTINGS
PLUMBING FIXTURES AND FITTINGS SHALL BE INSTALLED IN ACCORDANCE WITH THE CALIFORNIA PLUMBING CODE, AND SHALL MEET THE APPLICABLE STANDARDS REFERENCED IN TABLE 1701.1 OF THE CALIFORNIA PLUMBING CODE.

NOTE:
THIS TABLE COMPILES THE DATA IN SECTION 4.303.1 AND IS INCLUDED AS A CONVENIENCE FOR THE USER.

TABLE - MAXIMUM FIXTURE WATER USE	
FIXTURE TYPE	FLOW RATE
SHOWER HEADS (RESIDENTIAL)	1.8 GMP @ 80 PSI
LAVATORY FAUCETS (RESIDENTIAL)	MAX. 1.2 GPM @ 80 PSI MIN. 0.8 GPM @ 20 PSI
LAVATORY FAUCETS IN COMMON & PUBLIC USE AREAS	0.5 GPM @ 80 PSI
KITCHEN FAUCETS	1.8 GPM @ 80 PSI
METERING FAUCETS	0.2 GAL/CYCLE
WATER CLOSET	1.28 GAL/FLUSH
URINALS	0.125 GAL/FLUSH

4.304 OUTDOOR WATER USE

4.304.1 OUTDOOR POTABLE WATER USE IN LANDSCAPE AREAS
RESIDENTIAL DEVELOPMENTS SHALL COMPLY WITH A LOCAL WATER EFFICIENT LANDSCAPE ORDINANCE OR THE CURRENT CALIFORNIA DEPARTMENT OF WATER RESOURCES' MODEL WATER EFFICIENT LANDSCAPE ORDINANCE (MWELO), WHICHEVER IS MORE STRINGENT.

NOTES:
1. THE MODEL WATER EFFICIENT LANDSCAPE ORDINANCE (MWELO) IS LOCATED IN THE CALIFORNIA CODE OF REGULATIONS, TITLE 23, CHAPTER 2.7, DIVISION 2.

MWELO AND SUPPORTING DOCUMENTS, INCLUDING A WATER BUDGET CALCULATOR, ARE AVAILABLE AT: [HTTPS://WWW.WATER.CA.GOV/](https://www.water.ca.gov/)

DIVISION 4.4 MATERIAL CONSERVATION AND RESOURCE EFFICIENCY

4.406 ENHANCED DURABILITY AND REDUCED MAINTENANCE

4.406.1 RODENT PROOFING
ANNUAL SPACES AROUND PIPES, ELECTRIC CABLES, CONDUITS OR OTHER OPENINGS IN SOLE/BOTTOM PLATES AT EXTERIOR WALLS SHALL BE PROTECTED AGAINST THE PASSAGE OF RODENTS BY LOCOSING SUCH OPENINGS WITH CEMENT MORTAR, CONCRETE MASONRY OR A SIMILAR METHOD ACCEPTABLE TO THE ENFORCING AGENCY.

4.408 CONSTRUCTION WASTE REDUCTION, DISPOSAL AND RECYCLING

4.408.1 CONSTRUCTION WASTE MANAGEMENT
RECYCLE AND/OR SALVAGE FOR REUSE A MINIMUM OF 65 PERCENT OF THE NONHAZARDOUS CONSTRUCTION AND DEMOLITION WASTE IN ACCORDANCE WITH EITHER SECTION 4.408.2, 4.408.3, OR 4.408.4, OR MEET A MORE STRINGENT LOCAL CONSTRUCTION AND DEMOLITION WASTE MANAGEMENT ORDINANCE.

EXCEPTIONS:
1. EXCAVATED SOIL AND LAND-CLEARING DEBRIS.
2. ALTERNATE WASTE REDUCTION METHODS DEVELOPED BY WORKING WITH LOCAL AGENCIES IF DIVERSION OR RECYCLE FACILITIES CAPABLE OF COMPLIANCE WITH THIS ITEM DO NOT EXIST OR ARE NOT LOCATED REASONABLY CLOSE TO THE JOBSITE.
3. THE ENFORCING AGENCY MAY MAKE EXCEPTIONS TO THE REQUIREMENTS OF THIS SECTION WHEN ISOLATED JOBSITES ARE LOCATED IN AREAS BEYOND THE HAUL BOUNDARIES OF THE DIVERSION FACILITY.

4.408.2 CONSTRUCTION WASTE MANAGEMENT PLAN
A CONSTRUCTION AND WASTE MANAGEMENT PLAN IN CONFORMANCE WITH ITEMS 1 THROUGH 5, THE CONSTRUCTION WASTE MANAGEMENT PLAN SHALL BE UPDATED AS NECESSARY AND SHALL BE AVAILABLE DURING CONSTRUCTION FOR EXAMINATION BY THE ENFORCING AGENCY.

1. IDENTIFY THE CONSTRUCTION AND DEMOLITION WASTE MATERIALS TO BE DIVERTED FROM DISPOSAL BY RECYCLING, REUSE ON THE PROJECT OR SALVAGE FOR FUTURE USE OR SALE.
2. SPECIFY IF CONSTRUCTION AND DEMOLITION WASTE MATERIALS WILL BE SORTED ON-SITE (SOURCE-SEPARATED) OR BULK MIXED (SINGLE STREAM).
3. IDENTIFY DIVERSION FACILITIES WHERE THE CONSTRUCTION AND DEMOLITION WASTE MATERIAL WILL BE TAKEN.
4. IDENTIFY CONSTRUCTION METHODS EMPLOYED TO REDUCE THE AMOUNT OF CONSTRUCTION AND DEMOLITION WASTE GENERATED.
5. SPECIFY THAT THE AMOUNT OF CONSTRUCTION AND DEMOLITION WASTE MATERIAL DIVERTED SHALL BE CALCULATED BY WEIGHT OR VOLUME, BUT NOT BY BOTH.

4.408.3 WASTE MANAGEMENT COMPANY.
UTILIZE A WASTE MANAGEMENT COMPANY, APPROVED BY THE ENFORCING AGENCY, WHICH CAN PROVIDE VERIFIABLE DOCUMENTATION THAT THE PERCENTAGE OF CONSTRUCTION AND DEMOLITION WASTE MATERIAL DIVERTED FROM THE LANDFILL COMPLIES WITH SECTION 4.408.1.
NOTE: THE OWNER OR CONTRACTOR MAY MAKE THE DETERMINATION IF THE CONSTRUCTION AND DEMOLITION WASTE MATERIALS WILL BE DIVERTED BY A WASTE MANAGEMENT COMPANY.

4.408.4 WASTE STREAM REDUCTION ALTERNATIVE (LR).
PROJECTS THAT GENERATE A TOTAL COMBINED WEIGHT OF CONSTRUCTION AND DEMOLITION WASTE DISPOSED OF IN LANDFILLS, WHICH DO NOT EXCEED 3.4 POUNDS PER SQUARE FOOT OF THE BUILDING AREA SHALL MEET THE MINIMUM 65 PERCENT CONSTRUCTION WASTE REDUCTION REQUIREMENT IN SECTION 4.408.1.

4.408.4.1 WASTE STREAM REDUCTION ALTERNATIVE.
PROJECTS THAT GENERATE A TOTAL COMBINED WEIGHT OF CONSTRUCTION AND DEMOLITION WASTE DISPOSED OF IN LANDFILLS, WHICH DO NOT EXCEED 2 POUNDS PER SQUARE FOOT OF THE BUILDING AREA, SHALL MEET THE MINIMUM 65-PERCENT CONSTRUCTION WASTE REDUCTION REQUIREMENT IN SECTION 4.408.1.

4.408.5 DOCUMENTATION
DOCUMENTATION SHALL BE PROVIDED TO THE ENFORCING AGENCY WHICH DEMONSTRATES COMPLIANCE WITH SECTION 4.408.2, ITEMS 1 THROUGH 5, SECTION 4.408.3 OR SECTION 4.408.4.

2022 CALIFORNIA GREEN BUILDING STANDARDS CODE

RESIDENTIAL MANDATORY MEASURES (SHEET 2)



THESE PLANS ARE PROVIDED BY THE COUNTY OF SAN LUIS OBISPO AS PART OF THE PRE-APPROVED ADU PROGRAM AND ARE PUBLIC DOMAIN. THERE CANNOT BE A CHARGE TO PROVIDE THESE PLANS. NO ALTERATIONS TO THESE PLANS ARE ALLOWED. ALL ALTERATIONS MUST BE DONE UNDER A SEPARATE PERMIT ONCE THE BUILDING PERMIT FOR THE ADU HAS BEEN ISSUED AND FINAL INSPECTION COMPLETED. IF YOU DO NOT HAVE THE CONSTRUCTION KNOWLEDGE AND EXPERIENCE TO CONTRIBUTE THESE PLANS WITHOUT FURTHER DETAILS, IT IS RECOMMENDED YOU HIRE A CONTRACTOR TO DO THE CONSTRUCTION. THE CITY WILL NOT PROVIDE FURTHER INFORMATION OR DETAILS AND BUILDING INSPECTORS WILL NOT PROVIDE STEP BY STEP INSTRUCTIONS IN THE FIELD.

4.410 BUILDING MAINTENANCE AND OPERATION

4.410.1 OPERATION AND MAINTENANCE MANUAL

AT THE TIME OF FINAL INSPECTION, A MANUAL, COMPACT DISC, WEB-BASED REFERENCE OR OTHER MEDIA ACCEPTABLE TO THE ENFORCING AGENCY WHICH INCLUDES ALL OF THE FOLLOWING SHALL BE PLACED IN THE BUILDING:

- DIRECTIONS TO THE OWNER OR OCCUPANT THAT THE MANUAL SHALL REMAIN WITH THE BUILDING THROUGHOUT THE LIFE CYCLE OF THE STRUCTURE.
- OPERATION AND MAINTENANCE INSTRUCTIONS FOR THE FOLLOWING:
 - EQUIPMENT AND APPLIANCES, INCLUDING WATER-SAVING DEVICES AND SYSTEMS, HVAC SYSTEMS, PHOTOVOLTAIC SYSTEMS, ELECTRIC VEHICLE CHARGERS, WATER-HEATING SYSTEMS AND OTHER MAJOR APPLIANCES AND EQUIPMENT.
 - ROOF AND YARD DRAINAGE, INCLUDING GUTTERS AND DOWNSPOUTS.
 - SPACE CONDITIONING SYSTEMS, INCLUDING CONDENSERS AND AIR FILTERS.
 - LANDSCAPE IRRIGATION SYSTEMS.
 - WATER REUSE SYSTEMS.
- INFORMATION FROM LOCAL UTILITY, WATER AND WASTE RECOVERY PROVIDERS ON METHODS TO FURTHER REDUCE RESOURCE CONSUMPTION, INCLUDING RECYCLE PROGRAMS AND LOCATIONS.
- PUBLIC TRANSPORTATION AND/OR CARPOOL OPTIONS AVAILABLE IN THE AREA.
- EDUCATIONAL MATERIAL ON THE POSITIVE IMPACTS OF AN INTERIOR RELATIVE HUMIDITY BETWEEN 30-60 PERCENT AND WHAT METHODS AN OCCUPANT MAY USE TO MAINTAIN THE RELATIVE HUMIDITY LEVEL IN THAT RANGE.
- INFORMATION ABOUT WATER-CONSERVING LANDSCAPE AND IRRIGATION DESIGN AND CONTROLLERS WHICH CONSERVE WATER.
- INSTRUCTIONS FOR MAINTAINING GUTTERS AND DOWNSPOUTS AND THE IMPORTANCE OF DIVERTING WATER AT LEAST 5 FEET AWAY FROM THE FOUNDATION.
- INFORMATION ON REQUIRED ROUTINE MAINTENANCE MEASURES, INCLUDING, BUT NOT LIMITED TO, CAULKING, PAINTING, GRADING AROUND THE BUILDING.
- INFORMATION ABOUT STATE SOLAR ENERGY AND INCENTIVE PROGRAMS AVAILABLE.
- A COPY OF ALL SPECIAL INSPECTION VERIFICATIONS REQUIRED BY THE ENFORCING AGENCY OR THIS CODE.
- INFORMATION FROM CAL FIRE ON MAINTENANCE OF DEFENSIBLE SPACE AROUND RESIDENTIAL STRUCTURES.
- INFORMATION AND/OR DRAWINGS IDENTIFYING THE LOCATION OF GRAB BAR REINFORCEMENTS.

4.410.2 RECYCLING BY OCCUPANTS

WHERE 5 OR MORE MULTIFAMILY DWELLING UNITS ARE CONSTRUCTED ON A BUILDING SITE, PROVIDE READILY ACCESSIBLE AREA(S) THAT SERVES ALL BUILDINGS ON THE SITE AND IS IDENTIFIED FOR THE DEPOSITING, STORAGE AND COLLECTION OF NON-HAZARDOUS MATERIALS FOR RECYCLING, INCLUDING AT A MINIMUM PAPER, CORRUGATED CARDBOARD, GLASS, PLASTICS, ORGANIC WASTE, AND METALS, OR MEET A LAWFULLY ENACTED LOCAL RECYCLING ORDINANCE, IF MORE RESTRICTIVE.

EXCEPTION:
RURAL JURISDICTIONS THAT MEET AND APPLY FOR THE EXEMPTION IN PUBLIC RESOURCES CODE SECTION 42649.82 (A)(2)(A) ET SEQ. ARE NOT REQUIRED TO COMPLY WITH THE ORGANIC WASTE PORTION OF THIS SECTION.

DIVISION 4.5 ENVIRONMENTAL QUALITY

4.501 GENERAL

4.501.1 SCOPE

THE PROVISIONS OF THIS CHAPTER SHALL OUTLINE MEANS OF REDUCING THE QUANTITY OF AIR CONTAMINANTS THAT ARE ODOROUS, IRRITATING AND/OR HARMFUL TO THE COMFORT AND WELL-BEING OF A BUILDING'S INSTALLERS, OCCUPANTS AND NEIGHBORS.

4.503 FIREPLACES

4.503.1 GENERAL

ANY INSTALLED GAS FIREPLACE SHALL BE A DIRECT-VENT SEALED-COMBUSTION TYPE. ANY INSTALLED WOODSTOVE OR PELLET STOVE SHALL COMPLY WITH U.S. EPA NEW SOURCE PERFORMANCE STANDARDS (NSPS) EMISSION LIMITS AS APPLICABLE, AND SHALL HAVE A PERMANENT LABEL INDICATING THEY ARE CERTIFIED TO MEET THE EMISSION LIMITS. WOODSTOVES, PELLET STOVES AND FIREPLACES SHALL ALSO COMPLY WITH APPLICABLE LOCAL ORDINANCES.

4.504 POLLUTANT CONTROL

4.504.1 COVERING OF DUCT OPENINGS AND PROTECTION OF MECHANICAL EQUIPMENT DURING CONSTRUCTION

AT THE TIME OF ROUGH INSTALLATION, DURING STORAGE ON THE CONSTRUCTION SITE AND UNTIL FINAL STARTUP OF THE HEATING, COOLING AND VENTILATING EQUIPMENT, ALL DUCT AND OTHER RELATED AIR DISTRIBUTION COMPONENT OPENINGS SHALL BE COVERED WITH TAPE, PLASTIC, SHEET METAL OR OTHER METHODS ACCEPTABLE TO THE ENFORCING AGENCY TO REDUCE THE AMOUNT OF WATER, DUST AND DEBRIS, WHICH MAY ENTER THE SYSTEM.

4.504.2 FINISH MATERIAL POLLUTANT CONTROL

FINISH MATERIALS SHALL COMPLY WITH THIS SECTION.

4.504.2.1 ADHESIVES, SEALANTS AND CAULKS

ADHESIVES, SEALANTS AND CAULKS USED ON THE PROJECT SHALL MEET THE REQUIREMENTS OF THE FOLLOWING STANDARDS UNLESS MORE STRINGENT LOCAL OR REGIONAL AIR POLLUTION OR AIR QUALITY MANAGEMENT DISTRICT RULES APPLY.

- ADHESIVES, ADHESIVE BONDING PRIMERS, ADHESIVE PRIMERS, SEALANTS, SEALANT PRIMERS, AND CAULKS SHALL COMPLY WITH LOCAL OR REGIONAL AIR POLLUTION CONTROL OR AIR QUALITY MANAGEMENT DISTRICT RULES WHERE APPLICABLE OR SCANNED RULE 1168 VOC LIMITS, AS SHOWN IN TABLE 4.504.1 OR 4.504.2, AS APPLICABLE. SUCH PRODUCTS ALSO SHALL COMPLY WITH THE RULE 1168 PROHIBITION ON THE USE OF CERTAIN TOXIC COMPOUNDS (CHLOROFORM, ETHYLENE DICHLORIDE, METHYLENE CHLORIDE, PERCHLOROETHYLENE AND TRICHLOROETHYLENE), EXCEPT FOR AEROSOL PRODUCTS, AS SPECIFIED IN SUBSECTION 2 BELOW.
- AEROSOL ADHESIVES, AND SMALLER UNIT SIZES OF ADHESIVES, AND SEALANT OR CAULKING COMPOUNDS (IN UNITS OF PRODUCT, LESS PACKAGING, WHICH DO NOT WEIGH MORE THAN 1 POUND AND DO NOT CONSIST OF MORE THAN 16 FLUID OUNCES) SHALL COMPLY WITH STATEWIDE VOC STANDARDS AND OTHER REQUIREMENTS, INCLUDING PROHIBITIONS ON USE OF CERTAIN TOXIC COMPOUNDS, OF CALIFORNIA CODE OF REGULATIONS, TITLE 17, COMMENCING WITH SECTION 94507.

4.504.2.2 PAINTS AND COATINGS

ARCHITECTURAL PAINTS AND COATINGS SHALL COMPLY WITH VOC LIMITS IN TABLE 1 OF THE ARB ARCHITECTURAL SUGGESTED CONTROL MEASURE, AS SHOWN IN TABLE 4.504.3, UNLESS MORE STRINGENT LOCAL LIMITS APPLY. THE VOC CONTENT LIMIT FOR COATINGS THAT DO NOT MEET THE DEFINITIONS FOR THE SPECIALTY COATINGS CATEGORIES LISTED IN TABLE 4.504.3 SHALL BE DETERMINED BY CLASSIFYING THE COATING AS A FLAT, NONFLAT OR NONFLAT-HIGH GLOSS COATING, BASED ON ITS GLOSS, AS DEFINED IN SUBSECTIONS 4.21, 4.36, AND 4.37 OF THE 2007 CALIFORNIA AIR RESOURCES BOARD, SUGGESTED CONTROL MEASURE, AND THE CORRESPONDING FLAT, NONFLAT OR NONFLAT-HIGH GLOSS VOC LIMIT IN TABLE 4.504.3 SHALL APPLY.

4.504.2.3 AEROSOL PAINTS AND COATINGS

AEROSOL PAINTS AND COATINGS SHALL MEET THE PRODUCT-WEIGHTED MIR LIMITS FOR ROC IN SECTION 94522(A)(2) AND OTHER REQUIREMENTS, INCLUDING PROHIBITIONS ON USE OF CERTAIN TOXIC COMPOUNDS AND OZONE DEPLETING SUBSTANCES, IN SECTIONS 94522(E)(1) AND (F)(1) OF CALIFORNIA CODE OF REGULATIONS, TITLE 17, COMMENCING WITH SECTION 94520; AND IN AREAS UNDER THE JURISDICTION OF THE BAY AREA AIR QUALITY MANAGEMENT DISTRICT ADDITIONALLY COMPLY WITH THE PERCENT VOC BY WEIGHT OF PRODUCT LIMITS OF REGULATION 8, RULE 49.

4.504.2.4 VERIFICATION

VERIFICATION OF COMPLIANCE WITH THIS SECTION SHALL BE PROVIDED AT THE REQUEST OF THE ENFORCING AGENCY. DOCUMENTATION MAY INCLUDE, BUT IS NOT LIMITED TO, THE FOLLOWING:

- MANUFACTURER'S PRODUCT SPECIFICATION.
- FIELD VERIFICATION OF ON-SITE PRODUCT CONTAINERS.

4.504.3 CARPET SYSTEMS

4.504.3.1 CARPET CUSHION

ALL CARPET CUSHION INSTALLED IN THE BUILDING INTERIOR SHALL MEET THE REQUIREMENTS OF THE CALIFORNIA DEPARTMENT OF PUBLIC HEALTH, "STANDARD METHOD FOR THE TESTING AND EVALUATION OF VOLATILE ORGANIC CHEMICAL EMISSIONS FROM INDOOR SOURCES USING ENVIRONMENTAL CHAMBERS," VERSION 1.2, JANUARY 2017 (EMISSION TESTING METHOD FOR CALIFORNIA SPECIFICATION 01350).

SEE CALIFORNIA DEPARTMENT OF PUBLIC HEALTH'S WEBSITE FOR CERTIFICATION PROGRAMS AND TESTING LABS.

HTTPS://WWW.CDPH.CA.GOV/PROGRAMS/CCDPHP/DEODCEHLBIAQ/PAGES/VOC/ASPX

4.504.3.2 CARPET ADHESIVE

ALL CARPET ADHESIVE SHALL MEET THE REQUIREMENTS OF TABLE 4.504.1.

4.504.4 RESILIENT FLOORING SYSTEMS

WHERE RESILIENT FLOORING IS INSTALLED, AT LEAST 80 PERCENT OF FLOOR AREA RECEIVING RESILIENT FLOORING SHALL MEET THE REQUIREMENTS OF THE CALIFORNIA DEPARTMENT OF PUBLIC HEALTH, "STANDARD METHOD FOR THE TESTING AND EVALUATION OF VOLATILE ORGANIC CHEMICAL EMISSIONS FROM INDOOR SOURCES USING ENVIRONMENTAL CHAMBERS," VERSION 1.2, JANUARY 2017 (EMISSION TESTING METHOD FOR CALIFORNIA SPECIFICATION 01350).

SEE CALIFORNIA DEPARTMENT OF PUBLIC HEALTH'S WEBSITE FOR CERTIFICATION PROGRAMS AND TESTING LABS.

HTTPS://WWW.CDPH.CA.GOV/PROGRAMS/CCDPHP/DEODCEHLBIAQ/PAGES/VOC/ASPX

4.504.5 COMPOSITE WOOD PRODUCTS

HARDWOOD PLYWOOD, PARTICLEBOARD AND MEDIUM DENSITY FIBERBOARD COMPOSITE WOOD PRODUCTS USED ON THE INTERIOR OR EXTERIOR OF THE BUILDING SHALL MEET THE REQUIREMENTS FOR FORMALDEHYDE AS SPECIFIED IN ARB'S AIR TOXICS CONTROL MEASURE FOR COMPOSITE WOOD (17 CCR 93120 ET SEQ.) AS SHOWN IN TABLE 4.504.5.

4.504.5.1 DOCUMENTATION

VERIFICATION OF COMPLIANCE WITH THIS SECTION SHALL BE PROVIDED AS REQUESTED BY THE ENFORCING AGENCY. DOCUMENTATION SHALL INCLUDE AT LEAST ONE OF THE FOLLOWING:

- PRODUCT CERTIFICATIONS AND SPECIFICATIONS.
- CHAIN OF CUSTODY CERTIFICATIONS.
- PRODUCT LABELED AND INVOICED AS MEETING THE COMPOSITE WOOD PRODUCTS REGULATION (SEE CCR, TITLE 17, SECTION 93120, ET SEQ.).
- EXTERIOR GRADE PRODUCTS MARKED AS MEETING THE PS-1 OR PS-2 STANDARDS OF THE ENGINEERED WOOD ASSOCIATION, THE AUSTRALIAN AS/NZS 2269, EUROPEAN 636 3S, AND CANADIAN CSA 0121, CSA 0151, CSA 0153 AND CSA 0325 STANDARDS.
- OTHER METHODS ACCEPTABLE TO THE ENFORCING AGENCY.

TABLE 4.504.1 - ADHESIVE VOC LIMIT

(LESS WATER AND LESS EXEMPT COMPOUNDS IN GRAMS PER LITER)

ARCHITECTURAL APPLICATIONS	CURRENT VOC LIMIT
INDOOR CARPET ADHESIVES	50
CARPET PAD ADHESIVES	50
OUTDOOR CARPET ADHESIVES	150
WOOD FLOORING ADHESIVES	100
RUBBER FLOORING ADHESIVES	60
SUBFLOOR ADHESIVES	50
CERAMIC TILE ADHESIVES	65
UVCT AND ASPHALT TILE ADHESIVES	50
DRYWALL AND PANEL ADHESIVES	50
COVE BASE ADHESIVES	50
MULTIPURPOSE CONSTRUCTION ADHESIVES	70
STRUCTURAL GLAZING ADHESIVES	100
SINGLE-PLY ROOF MEMBRANE ADHESIVES	250
OTHER ADHESIVES NOT SPECIFICALLY LISTED	50
SPECIALTY APPLICATIONS	CURRENT VOC LIMIT
PVC WELDING	510
CPVC WELDING	490
ABW WELDING	325
PLASTIC CEMENT WELDING	250
ADHESIVE PRIMER FOR PLASTIC	550
CONTACT ADHESIVE	80
SPECIAL PURPOSE CONTACT ADHESIVE	250
STRUCTURAL WOOD MEMBER ADHESIVE	140
TOP AND TRIM ADHESIVES	250
SUBSTRATE SPECIFIC APPLICATIONS	CURRENT VOC LIMIT
METAL TO METAL	30
PLASTIC FOAMS	50
POROUS MATERIAL (EXCEPT WOOD)	50
WOOD	30
FIBERGLASS	80

- IF AN ADHESIVE IS USED TO BOND DISSIMILAR SUBSTRATES TOGETHER, THE ADHESIVE WITH THE HIGHEST VOC CONTENT SHALL BE ALLOWED.
- FOR ADDITIONAL INFORMATION REGARDING METHODS TO MEASURE THE VOC CONTENT SPECIFIED IN THIS TABLE, SEE SOUTH COAST AIR QUALITY MANAGEMENT DISTRICT RULE 1168.

TABLE 4.504.2 - SEALANT VOC LIMIT

(LESS WATER AND LESS EXEMPT COMPOUNDS IN GRAMS PER LITER)

SEALANTS	CURRENT VOC LIMIT
ARCHITECTURAL	250
MARINE DECK	760
NONMEMBRANE ROOF	300
ROADWAY	250
SINGLE-PLY ROOF MEMBRANE	450
OTHER	420
SEALANT PRIMERS	CURRENT VOC LIMIT
ARCHITECTURAL	250
NONPOROUS	250
POROUS	500
MODIFIED BITUMINOUS	760
MARINE DECK	760
OTHER	750

TABLE 4.504.3 - VOC CONTENT LIMITS FOR ARCHITECTURAL COATINGS^{2, 3}

(GRAMS OF VOC PER LITER OF COATING, LESS WATER AND LESS EXEMPT COMPOUNDS)

COATING CATEGORY	CURRENT VOC LIMIT
FLAT COATINGS	50
NONFLAT COATINGS	100
NONFLAT-HIGH GLOSS COATINGS	150
SPECIALTY COATINGS	CURRENT VOC LIMIT
ALUMINUM ROOF COATINGS	400
BUMENTAL SPECIALTY COATINGS	400
BITUMINOUS ROOF COATINGS	50
BITUMINOUS ROOF PRIMERS	350
BOND BREAKERS	350
CONCRETE CURING COMPOUNDS	350
CONCRETE/MASONRY SEALERS	100
DRIVEWAY SEALERS	50
DRY FOG COATINGS	150
FAUX FINISHING COATINGS	350
FIRE RESISTIVE COATINGS	350
FLOOR COATINGS	100
FORM-RELEASE COMPOUNDS	280
GRAPHIC ARTS COATINGS (SIGN PAINTS)	500
HIGH TEMPERATURE COATINGS	420
INDUSTRIAL MAINTENANCE COATINGS	250
LOW SOLIDS COATINGS ¹	120
MAGNESITE CEMENT COATINGS	450
MASTIC TEXTURE COATINGS	100
METALLIC PIGMENTED COATINGS	500
MULTICOLOR COATINGS	250
PRETREATMENT WASH PRIMERS	420
PRIMERS, SEALERS, AND UNDERCOATERS	100
REACTIVE PENETRATING SEALERS	350
RECYCLED COATINGS	250
ROOF COATINGS	50
RUST PREVENTATIVE COATINGS	250
SHIELDS	730
CLEAR	730
OPAQUE	550
SPECIALTY PRIMERS, SEALERS AND UNDERCOATERS	100
STAINS	250
STONE CONSOLIDANTS	450
SWIMMING POOL COATINGS	340
TRAFFIC MARKING COATINGS	100
TUB AND TILE FINISH COATINGS	420
WATERPROOFING MEMBRANES	250
WOOD COATINGS	275
WOOD PRESERVATIVES	350
ZINC-RICH PRIMERS	340

- GRAMS OF VOC PER LITER OF COATING, INCLUDING WATER AND INCLUDING EXEMPT COMPOUNDS.
- THE SPECIFIED LIMITS REMAIN IN EFFECT UNLESS REVISED LIMITS ARE LISTED IN SUBSEQUENT COLUMNS IN THE TABLE.
- VALUES IN THIS TABLE ARE DERIVED FROM THOSE SPECIFIED BY THE CALIFORNIA AIR RESOURCES BOARD, ARCHITECTURAL COATINGS SUGGESTED CONTROL MEASURE, FEBRUARY 1, 2008. MORE INFORMATION IS AVAILABLE FROM THE AIR RESOURCES BOARD.

TABLE 4.504.5 - FORMALDEHYDE LIMITS¹

(MAXIMUM FORMALDEHYDE EMISSIONS IN PARTS PER MILLION)

PRODUCT	CURRENT LIMIT
HARDWOOD PLYWOOD VENEER CORE	0.05
HARDWOOD PLYWOOD COMPOSITE CORE	0.05
PARTICLEBOARD	0.09
MEDIUM DENSITY FIBERBOARD	0.11
THIN MEDIUM DENSITY FIBERBOARD ²	0.13

- VALUES IN THIS TABLE ARE DERIVED FROM THOSE SPECIFIED BY THE CALIFORNIA AIR RESOURCES BOARD, AIR TOXICS CONTROL MEASURE FOR COMPOSITE WOOD AS TESTED IN ACCORDANCE WITH ASTM E1333. FOR ADDITIONAL INFORMATION, SEE CALIFORNIA CODE OF REGULATIONS, TITLE 17, SECTIONS 93120 THROUGH 93120.12.
- THIN MEDIUM DENSITY FIBERBOARD HAS A MAXIMUM THICKNESS OF 5/16 INCH (8MM).

DIVISION 4.5 ENVIRONMENTAL QUALITY CONTINUED

4.505 INTERIOR MOISTURE CONTROL

4.505.1 GENERAL

BUILDINGS SHALL MEET OR EXCEED THE PROVISIONS OF THE CALIFORNIA BUILDING STANDARDS CODE.

4.505.2 CONCRETE SLAB FOUNDATIONS

CONCRETE SLAB FOUNDATIONS REQUIRED TO HAVE A VAPOR RETARDER BY THE CALIFORNIA BUILDING CODE CHAPTER 19 OR CONCRETE SLAB-ON-GROUND FLOORS REQUIRED TO HAVE A VAPOR RETARDER BY THE CALIFORNIA RESIDENTIAL CODE, CHAPTER 5, SHALL ALSO COMPLY WITH THIS SECTION.

4.505.2.1 CAPILLARY BREAK

A CAPILLARY BREAK SHALL BE INSTALLED IN COMPLIANCE WITH AT LEAST ONE OF THE FOLLOWING:

- A 4-INCH-THICK (101.6 MM) BASE OF 1/2 INCH (12.7 MM) OR LARGER CLEAN AGGREGATE SHALL BE PROVIDED WITH A VAPOR RETARDER IN DIRECT CONTACT WITH CONCRETE AND A CONCRETE MIX DESIGN, WHICH WILL ADDRESS BLEEDING, SHRINKAGE, AND CURLING, SHALL BE USED. FOR ADDITIONAL INFORMATION, SEE AMERICAN CONCRETE INSTITUTE, ACI 302.2R-06.
- OTHER EQUIVALENT METHODS APPROVED BY THE ENFORCING AGENCY.
- A SLAB DESIGN SPECIFIED BY A LICENSED DESIGN PROFESSIONAL.

4.505.2 MOISTURE CONTENT OF A BUILDING

BUILDING MATERIALS WITH VISIBLE SIGNS OF WATER DAMAGE SHALL NOT BE INSTALLED. WALL AND FLOOR FRAMING SHALL NOT BE ENCLOSED WHEN THE FRAMING MEMBERS EXCEED 19-PERCENT MOISTURE CONTENT. MOISTURE CONTENT SHALL BE VERIFIED IN COMPLIANCE WITH THE FOLLOWING:

- MOISTURE CONTENT SHALL BE DETERMINED WITH EITHER A PROBE-TYPE OR CONTACT-TYPE MOISTURE METER. EQUIVALENT MOISTURE VERIFICATION METHODS MAY BE APPROVED BY THE ENFORCING AGENCY AND SHALL SATISFY REQUIREMENTS FOUND IN SECTION 101.8 OF THIS CODE.
- MOISTURE READINGS SHALL BE TAKEN AT A POINT 2 FEET (610 MM) TO 4 FEET (1219 MM) FROM THE GRADE STAMPED END OF EACH PIECE TO BE VERIFIED.
- AT LEAST THREE RANDOM MOISTURE READINGS SHALL BE PERFORMED ON WALL AND FLOOR FRAMING WITH DOCUMENTATION ACCEPTABLE TO THE ENFORCING AGENCY PROVIDED AT THE TIME OF APPROVAL TO ENCLOSE THE WALL AND FLOOR FRAMING.

INSULATION PRODUCTS WHICH ARE VISIBLY WET OR HAVE A HIGH MOISTURE CONTENT SHALL BE REPLACED OR ALLOWED TO DRY PRIOR TO ENCLOSURE IN WALL OR FLOOR CAVITIES. WET-APPLIED INSULATION PRODUCTS SHALL FOLLOW THE MANUFACTURERS' DRYING RECOMMENDATIONS PRIOR TO ENCLOSURE.

4.506 INDOOR AIR QUALITY AND EXHAUST

4.506.1 BATHROOM EXHAUST FANS

EACH BATHROOM SHALL BE MECHANICALLY VENTILATED AND SHALL COMPLY WITH THE FOLLOWING:

- FANS SHALL BE ENERGY STAR COMPLIANT AND BE DUCTED TO TERMINATE OUTSIDE THE BUILDING.
- UNLESS FUNCTIONING AS A COMPONENT OF A WHOLE HOUSE VENTILATION SYSTEM, FANS MUST BE CONTROLLED BY A HUMIDITY CONTROL.
 - HUMIDITY CONTROLS SHALL BE CAPABLE OF ADJUSTMENT BETWEEN A RELATIVE HUMIDITY RANGE OF 40 PERCENT TO A MAXIMUM OF 80 PERCENT. A HUMIDITY CONTROL MAY UTILIZE MANUAL OR AUTOMATIC MEANS OF ADJUSTMENT.
 - A HUMIDITY CONTROL MAY BE A SEPARATE COMPONENT TO THE EXHAUST FAN AND IS NOT REQUIRED TO BE INTEGRAL (I.E., BUILT-IN).

NOTES:

- FOR THE PURPOSES OF THIS SECTION, A BATHROOM IS A ROOM WHICH CONTAINS A BATHTUB, SHOWER, OR TUB/SHOWER COMBINATION.
- LIGHTING INTEGRAL TO BATHROOM EXHAUST FANS SHALL COMPLY WITH THE CALIFORNIA ENERGY CODE.

4.507 ENVIRONMENTAL COMFORT

4.507.1 RESERVED

4.507.2 HEATING AND AIR-CONDITIONING SYSTEM DESIGN

HEATING AND AIR-CONDITIONING SYSTEMS SHALL BE SIZED, DESIGNED AND HAVE THEIR EQUIPMENT SELECTED USING THE FOLLOWING METHODS:

- THE HEAT LOSS AND HEAT GAIN IS ESTABLISHED ACCORDING TO ANSIAACCA 2 MANUAL J-2016 (RESIDENTIAL LOAD CALCULATION), ASHRAE HANDBOOKS OR OTHER EQUIVALENT DESIGN SOFTWARE OR METHODS.
- DUCT SYSTEMS ARE SIZED ACCORDING TO ANSIAACCA 1 MANUAL D-2016 (EQUIVALENT DUCT SYSTEMS), ASHRAE HANDBOOKS OR OTHER EQUIVALENT DESIGN SOFTWARE OR METHODS.
- SELECT HEATING AND COOLING EQUIPMENT ACCORDING TO ANSIAACCA 3 MANUAL S-2016 (RESIDENTIAL EQUIPMENT SELECTION) OR OTHER EQUIVALENT DESIGN SOFTWARE OR METHODS.

EXCEPTION: USE OF ALTERNATE DESIGN TEMPERATURES NECESSARY TO ENSURE THE SYSTEMS FUNCTION ARE ACCEPTABLE.

CHAPTER 7 - INSTALLER & SPECIAL INSPECTOR QUALIFICATIONS

702 QUALIFICATIONS

702.1 INSTALLER TRAINING

HVAC SYSTEM INSTALLERS SHALL BE TRAINED AND CERTIFIED IN THE PROPER INSTALLATION OF HVAC SYSTEMS INCLUDING DUCTS AND EQUIPMENT BY A NATIONALLY OR REGIONALLY RECOGNIZED TRAINING OR CERTIFICATION PROGRAM. UNCERTIFIED PERSONS MAY PERFORM HVAC INSTALLATIONS WHEN UNDER THE DIRECT SUPERVISION AND RESPONSIBILITY OF A PERSON TRAINED AND CERTIFIED TO INSTALL HVAC SYSTEMS OR CONTRACTOR LICENSED TO INSTALL HVAC SYSTEMS. EXAMPLES OF ACCEPTABLE HVAC TRAINING AND CERTIFICATION PROGRAMS INCLUDE BUT ARE NOT LIMITED TO THE FOLLOWING:

- STATE CERTIFIED APPRENTICESHIP PROGRAMS.
- PUBLIC UTILITY TRAINING PROGRAMS.
- TRAINING PROGRAMS SPONSORED BY TRADE, LABOR OR STATEWIDE ENERGY CONSULTING OR VERIFICATION ORGANIZATIONS.
- PROGRAMS SPONSORED BY MANUFACTURING ORGANIZATIONS.
- OTHER PROGRAMS ACCEPTABLE TO THE ENFORCING AGENCY.

702.2 SPECIAL INSPECTION [HCD]

WHEN REQUIRED BY THE ENFORCING AGENCY, THE OWNER OR THE RESPONSIBLE ENTITY ACTING AS THE OWNER'S AGENT SHALL EMPLOY ONE OR MORE SPECIAL INSPECTORS TO PROVIDE INSPECTION OR OTHER DUTIES NECESSARY TO SUBSTANTIATE COMPLIANCE WITH THIS CODE. SPECIAL INSPECTORS SHALL DEMONSTRATE COMPETENCE TO THE SATISFACTION OF THE ENFORCING AGENCY FOR THE PARTICULAR TYPE OF INSPECTION OR TASK TO BE PERFORMED. IN ADDITION TO OTHER CERTIFICATIONS OR QUALIFICATIONS ACCEPTABLE TO THE ENFORCING AGENCY, THE FOLLOWING CERTIFICATIONS OR EDUCATION MAY BE CONSIDERED BY THE ENFORCING AGENCY WHEN EVALUATING THE QUALIFICATIONS OF A SPECIAL INSPECTOR:

- CERTIFICATION BY A NATIONAL OR REGIONAL GREEN BUILDING PROGRAM OR STANDARD PUBLISHER.
- CERTIFICATION BY A STATEWIDE ENERGY CONSULTING OR VERIFICATION ORGANIZATION, SUCH AS HERS RATERS, BUILDING PERFORMANCE CONTRACTORS, AND HOME ENERGY AUDITORS.
- SUCCESSFUL COMPLETION OF A THIRD PARTY APPRENTICE TRAINING PROGRAM IN THE APPROPRIATE TRADE.
- OTHER PROGRAMS ACCEPTABLE TO THE ENFORCING AGENCY.

NOTES:

- SPECIAL INSPECTORS SHALL BE INDEPENDENT ENTITIES WITH NO FINANCIAL INTEREST IN THE MATERIALS OR THE PROJECT THEY ARE INSPECTING FOR COMPLIANCE WITH THIS CODE.
- HERS RATERS ARE SPECIAL INSPECTORS CERTIFIED BY THE CALIFORNIA ENERGY COMMISSION (CEC) TO RATE HOMES IN CALIFORNIA ACCORDING TO THE HOME ENERGY RATING SYSTEM (HERS).

[BSC] WHEN REQUIRED BY THE ENFORCING AGENCY, THE OWNER OR THE RESPONSIBLE ENTITY ACTING AS THE OWNER'S AGENT SHALL EMPLOY ONE OR MORE SPECIAL INSPECTORS TO PROVIDE INSPECTION OR OTHER DUTIES NECESSARY TO SUBSTANTIATE COMPLIANCE WITH THIS CODE. SPECIAL INSPECTORS SHALL DEMONSTRATE COMPETENCE TO THE SATISFACTION OF THE ENFORCING AGENCY FOR THE PARTICULAR TYPE OF INSPECTION OR TASK TO BE PERFORMED. IN ADDITION, THE SPECIAL INSPECTOR SHALL HAVE A CERTIFICATION FROM A RECOGNIZED STATE, NATIONAL OR INTERNATIONAL ASSOCIATION, AS DETERMINED BY THE LOCAL AGENCY. THE AREA OF CERTIFICATION SHALL BE CLOSELY RELATED TO THE PRIMARY JOB FUNCTION, AS DETERMINED BY THE LOCAL AGENCY.

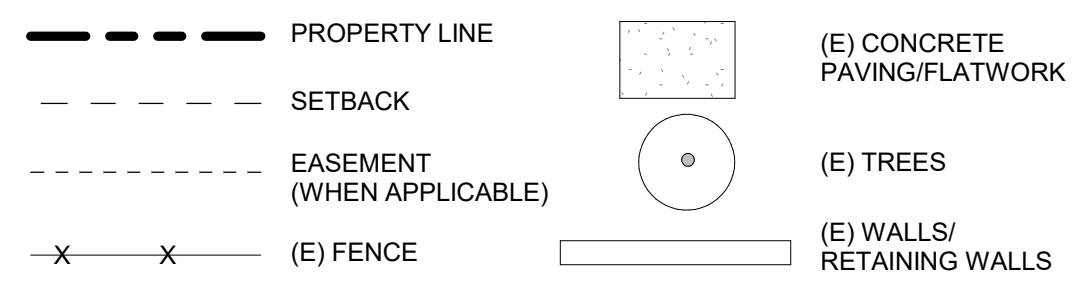
NOTE:

- SPECIAL INSPECTORS SHALL BE INDEPENDENT ENTITIES WITH NO FINANCIAL INTEREST IN THE MATERIALS OR THE PROJECT THEY ARE INSPECTING FOR COMPLIANCE WITH THIS CODE.

703 VERIFICATIONS

SITE PLAN TO BE PROVIDED BY APPLICANT

SITE PLAN LEGEND



SITE PLAN GENERAL NOTES

- REFER TO GENERAL NOTES SHEET G-101 FOR ADDITIONAL REQUIREMENTS
- REFER TO STRUCTURAL PLANS FOR FURTHER INFORMATION.

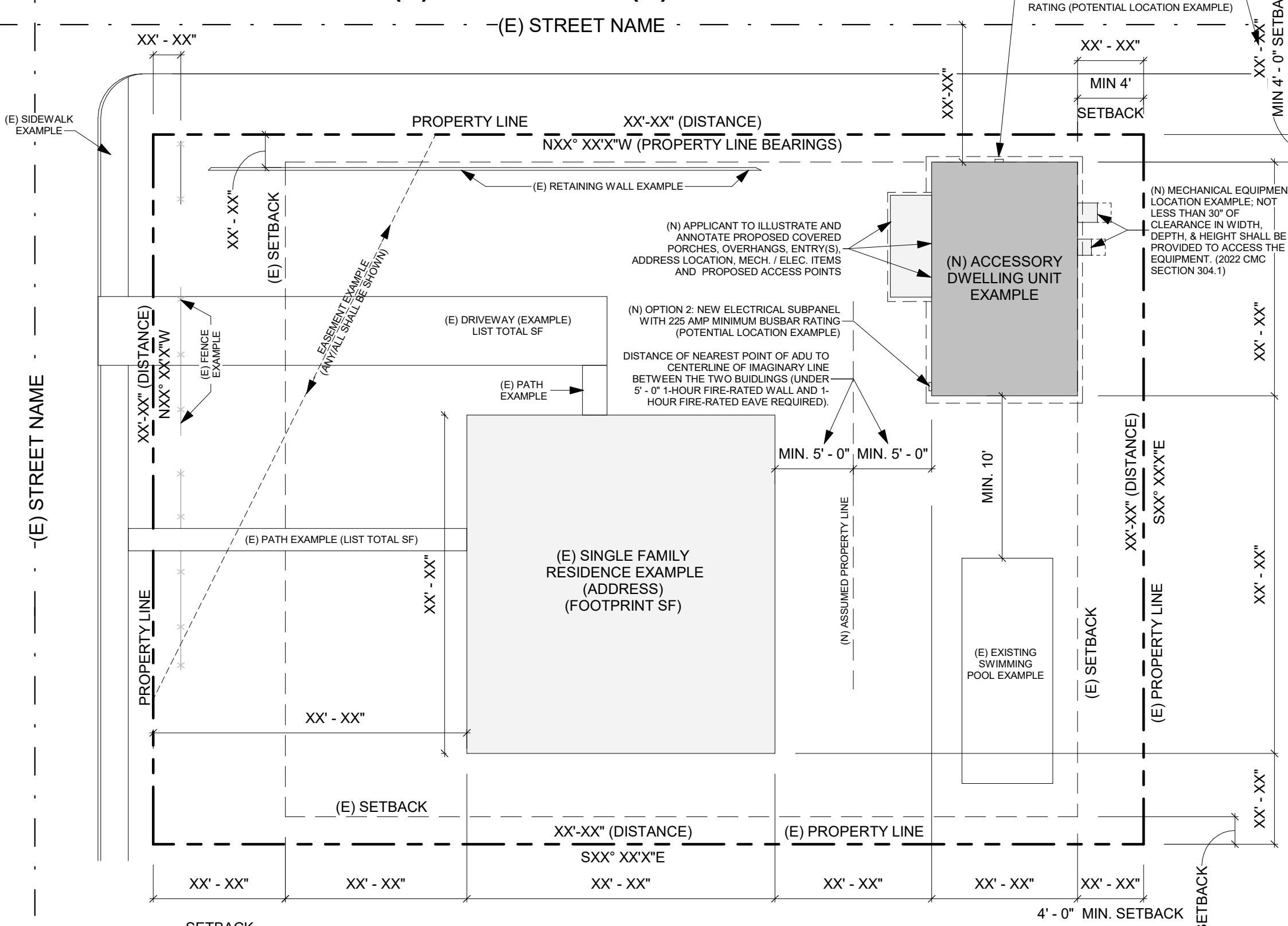
SITE PLAN CHECKLIST

- ELECTRICAL PANEL:**
- OPTION 1 -** NEW ELECTRICAL MAIN PANEL WITH 225 AMP MINIMUM BUSBAR RATING
 - OPTION 2 -** A NEW ELECTRICAL SUBPANEL CONNECTS TO THE ELECTRICAL MAIN PANEL OF THE PRIMARY HOME WITH A 225 AMP MINIMUM BUSBAR RATING. A SEPARATE ELECTRICAL PERMIT SHALL BE PULLED FOR THE ELECTRICAL MAIN PANEL OF THE PRIMARY HOME. ELECTRICAL LOAD CALCULATIONS IS REQUIRED.
- IS THE NEW ADU IS 5' - 0" OR LESS TO ANY PROPERTY LINE AND/OR ADU IS 10' - 0" OR LESS FROM ANY ADJACENT BUILDING OR STRUCTURE?**
- NO** **YES;** IF YES, 1-HR FIRE RATED WALL, 1-HR RATED ROOF, AND 1-HR RATED FIRE PROJECTS REQUIRED. **SEE DETAILS: 21/A-903 & 24/A-903**
- NOTE:** WHERE 1-HR FIRE-RESISTANCE RATED PROJECTIONS REQUIRED (NON-SPRINKLERED & FIRE SEPARATION DISTANCE ≥2'-0" <5'-0")
- TABLE 302.1(1)**
 A. THE FIRE-RESISTANCE RATING SHALL BE PERMITTED TO BE REDUCED TO 0 HOURS ON THE UNDERSIDE OF THE EAVE OVERHANG IF FIREBLOCKING IS PROVIDED FROM THE WALL TOP PLATE TO THE UNDERSIDE OF THE ROOF SHEATING
- NOTE:**
- A SEPARATE PERMIT FOR ONSITE WASTEWATER SYSTEM WILL BE REQ'D.**
 - SOILS REPORT TO BE PROVIDED BY OTHERS.**
 - UTILITY, GRADING, AND DRAINAGE PLAN TO BE PROVIDED BY OTHERS.**
 - PROVIDE WASTE RECYCLE FORM FILLED OUT AND SIGNED PRIOR TO ISSUANCE. THE OWNER/APPLICANT/CONTRACTOR/PERSON DOING THE WORK IS REQUIRED TO RECYCLE 75% OF ALL PROJECT CONSTRUCTION AND DEMOLITION DEBRIS.**
 - FOOTPRINT OF ALL EXISTING AND PROPOSED BUILDINGS**
PLOT THE PROPOSED ADU BUILDING FOOTPRINT ALONG WITH ANY OTHER EXISTING BUILDINGS ONSITE. THIS INCLUDES ALL STRUCTURES / PORCHES / GAZEBOS. IF AN OPTIONAL COVERED PATIO IS SELECTED, PLEASE PLOT THAT AS WELL.
 - AREA OF EXISTING BUILDING**
INDICATE THE SQUARE FOOTAGE OF THE EXISTING HOUSE.
 - FOOTPRINT OF PROPOSED ADU**
REFER TO LEGEND FOR FOOTPRINT AT 10'=1" SCALE
 - DRAWING SCALE**
SITE PLAN SHOULD BE DRAWN TO A MEASURABLE SCALE.
 - PROPERTY LINES**
SHOW OUTLINE OF PROPERTY USING DASHED LINE IN LEGEND. INDICATE THE BEARING AND DISTANCE OF THE PROPERTY LINE.
 - LABEL YARDS**
LABEL FRONT, REAR, SIDE YARDS, AS WELL AS DRIVEWAYS, PATHWAYS AND ANY OTHER HARDSCAPE.
 - SETBACKS**
DIMENSION THE DISTANCE BETWEEN BUILDINGS AND PROPOERTY LINES, AS WELL AS BUILDINGS TO OTHER STRUCTURES. SETBACKS TO SIDE AND REAR PROPERTY SIDE SHALL BE A MINIMUM OF (4' - 0"). PROPOSED ADU SHALL BE LOCATED A MINIMUM OF (10' - 0") FROM EXISTING STRUCTURES.
 - EASEMENTS**
REFER TO LEGEND. MUST INCLUDE ALL APPLICABLE EASEMENTS. SETBACK PROPOSED STRUCTURE HSALL COMPLY WITH EASEMENT REQUIREMENTS.
 - LOCATION OF RAIN WATER LEADERS**
THE ROOF DRAINS SHOULD DRAIN AWAY FROM THE PROPERTY LINES AND INTO THE LANDSCAPE AREA.
 - LABEL STREETS & SIDEWALKS**
 - LABEL ADU AND ADDRESS LOCATION**
ADU SHALL HAVE THE SAME ADDRESS AS THE PRIMARY RESIDENCE. THE ADDRESS IDENTIFICATION SHALL BE LEGIBLE AND PLACED IN A POSITION THAT IS VISIBLE FROM THE STREET OR ROAD FRONTING THE PROPERTY. ADDRESS IDENTIFICATION CHARACTERS SHALL CONTRAST WITH THEIR BACKGROUND. ADDRESS SHALL COMPLY WITH **CRC SECTION R319**.
 - DIMENSION BUILDING SEPARATION**
DIMENSION THE DISTANCE BETWEEN THE PROPOSED ADU AND ANY EXISTING STRUCTURES
 - ALL EXISTING/PROPOSED PLANTINGS AND HARDSCAPE SHOWN**
 - LOT COVERAGE CALCULATION**
TOTAL FOOTPRINT AREA FOR STRUCTURES ON SITE / LOT AREA
 - SWIMMING POOLS**
ALL EXISTING SWIMMING POOLS SHALL BE SHOWN ON THE SITE PLAN AND SHALL HAVE 10' - 0" MINIMUM SETBACK TO THE NEW ADU STRUCTURE.
 - PORCHES**
THERE SHALL BE NO MORE THAN 30 INCHES MEASURED VERTICALLY TO THE FLOOR OR GRADE BELOW (INCLUDING FLOORS, STAIRS, RAMPS, AND LANDINGS) ANYWHERE MEASURED LESS THAN 36 INCHES HORIZONTALLY TO THE EDGE OF THE PORCH/SLAB/SURFACE OF THE RAIL. INSECT SCREENING SHALL NOT BE CONSIDERED AS A GUARD.
 - LOCATION OF EXISTING UTILITIES**
UTILITIES, POLES, SEWER, DRAINS, ELECTRICAL, GAS METERS AND LINES AND ANY PHOTOVOLTAIC.
 - LOCATION OF PROPOSED UTILITIES**
SANITARY SEWER FROM ADU TO EXISTING SEWER. SEWER LINE TO THE PROPOSED ADU SHALL BE CONNECTED TO THE MAIN LATERAL AT THE PROPERTY LINE OR BEHIND THE SIDEWALK. LATERAL POINT OF CONNECTION INCLUDING REQUIRED CLEANOUTS, WATER LINE TO ADU, ELECTRIC TO ADU INCLUDING ANY NEW METERS OR SUBPANELS, GAS LINE TO ADU.
 - A.** TOTAL DEVELOPED LENGTH OF GAS SYSTEM FROM METER / REGULATOR TO MOST REMOTE GAS OUTLET.
 - B.** TOTAL DEVELOPED LENGTH FOR EACH GAS BRANCH AND ITS CORRESPONDING DEMAND.
 - C.** SHOW MECHANICAL, PLUMBING, AND KITCHEN GAS APPLIANCE LOCATION AND ITS DEMAND FACTORS.
 - D.** SHOW THE LOCATION AND AMPACITY OF THE ELECTRICAL PANEL SERVING THE ADU. VERIFY COMPLIANCE WITH ALL APPLICABLE REQUIREMENTS OF THE 2022 CEC.



THESE PLANS ARE PROVIDED BY THE COUNTY OF SAN LUIS OBISPO AS PART OF THE PRE-APPROVED ADU PROGRAM AND ARE PUBLIC DOMAIN. THERE CANNOT BE A CHARGE TO PROVIDE THESE PLANS. NO ALTERATIONS TO THESE PLANS ARE ALLOWED. ALL ALTERATIONS MUST BE DONE UNDER A SEPARATE PERMIT ONCE THE BUILDING PERMIT FOR THE ADU HAS BEEN ISSUED AND FINAL INSPECTION COMPLETED. IF YOU DO NOT HAVE THE CONSTRUCTION KNOWLEDGE AND EXPERIENCE TO CONSTRUCT THESE PLANS WITHOUT FURTHER DETAILS, IT IS RECOMMENDED YOU HIRE A CONTRACTOR TO DO THE CONSTRUCTION. THE CITY WILL NOT PROVIDE FURTHER INFORMATION OR DETAILS AND BUILDING INSPECTORS WILL NOT PROVIDE STEP BY STEP INSTRUCTIONS IN THE FIELD.

NOTE: THIS IS AN EXAMPLE SITE PLAN. EXACT LAYOUT, DIMENSIONS, AND BEARINGS SHALL BE PROVIDED BY OWNER/APPLICANT. (E) EXISTING (N) NEW



1 SITE PLAN EXAMPLE
 AS-105 SCALE: 1" = 20'-0"

COUNTY OF SAN LUIS OBISPO
ACCESSORY DWELLING UNIT
 SAN LUIS OBISPO, CA

ARCHITECTURAL SITE PLAN
 (EXAMPLE & INSTRUCTIONS)

DATE
 11/28/2023

SHEET
 AS-105

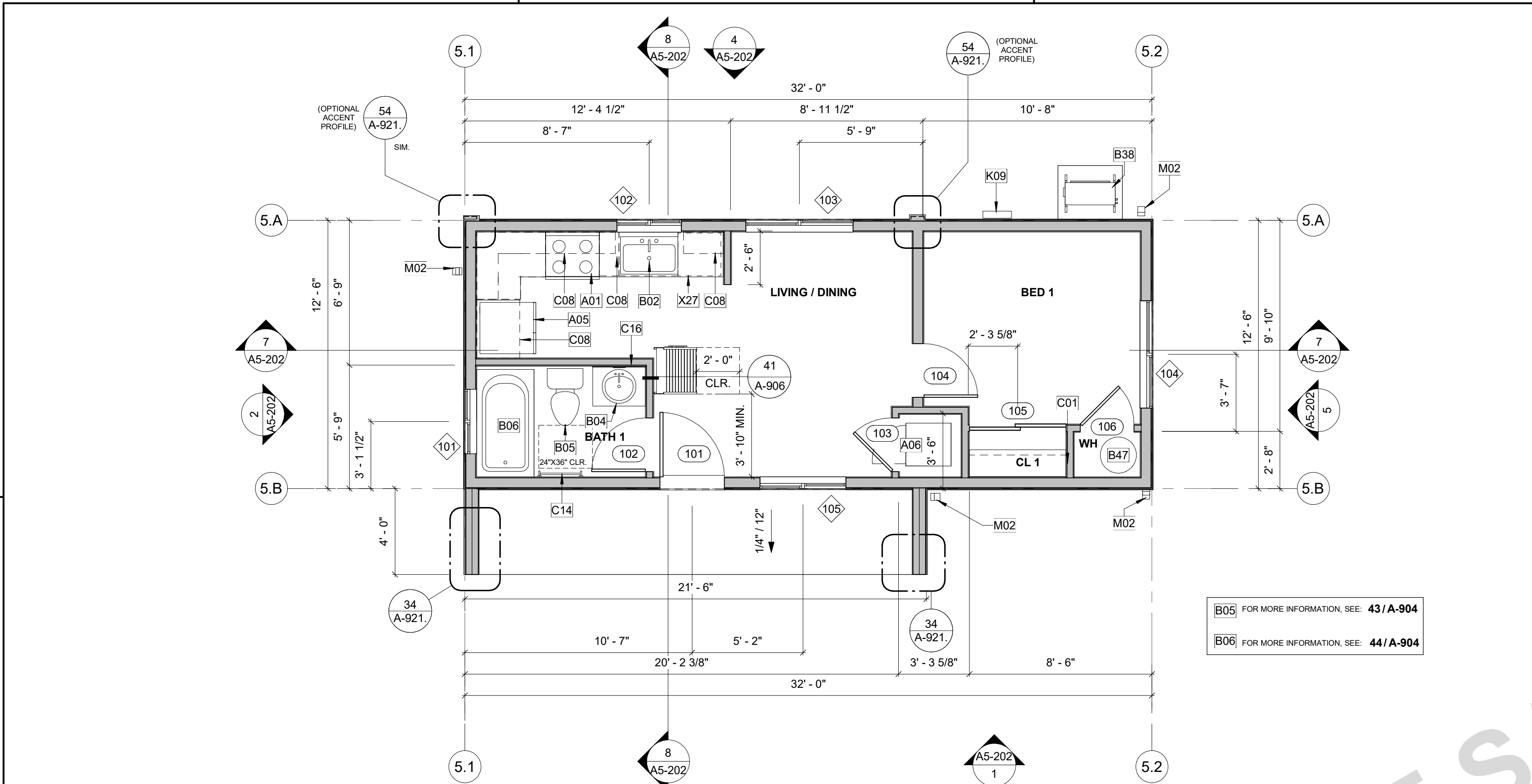
SITE PLAN

SCALE:

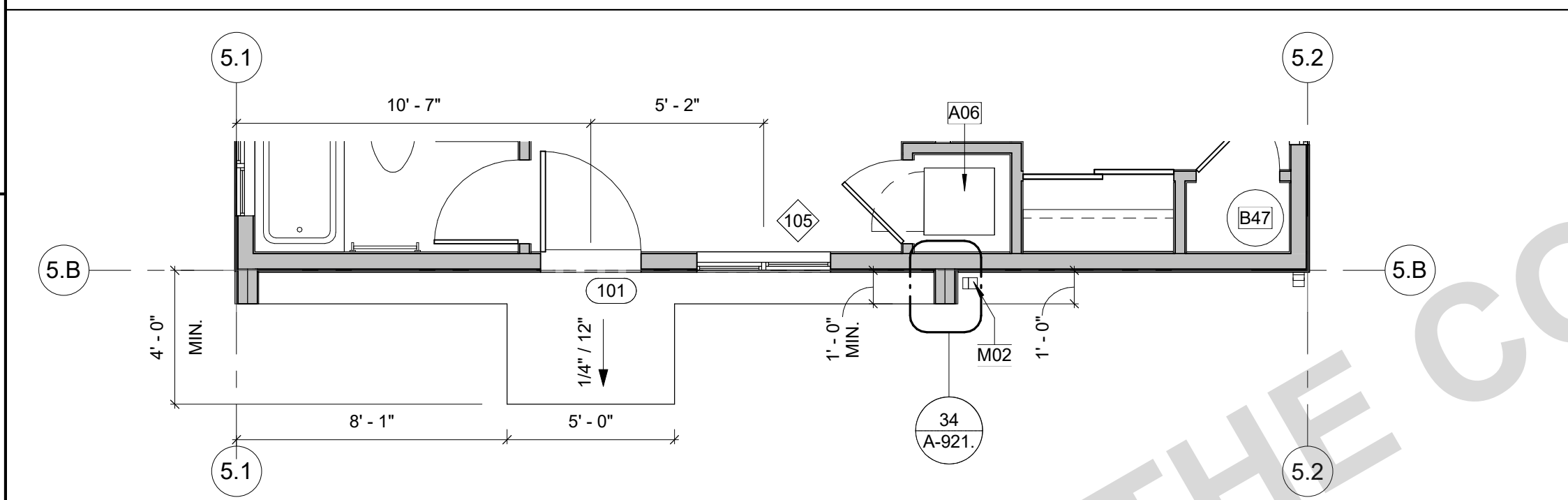




THESE PLANS ARE PROVIDED BY THE COUNTY OF SAN LUIS OBISPO AS PART OF THE PRE-APPROVED ADU PROGRAM AND ARE PUBLIC DOMAIN. THERE CANNOT BE A CHARGE TO PROVIDE THESE PLANS. NO ALTERATIONS TO THESE PLANS ARE ALLOWED. ALL ALTERATIONS MUST BE DONE UNDER A SEPARATE PERMIT ONCE THE BUILDING PERMIT FOR THE ADU HAS BEEN ISSUED AND FINAL INSPECTION COMPLETED. IF YOU DO NOT HAVE THE CONSTRUCTION KNOWLEDGE AND EXPERIENCE TO CONSTRUCT THESE PLANS WITHOUT FURTHER DETAILS, IT IS RECOMMENDED YOU HIRE A CONTRACTOR TO DO THE CONSTRUCTION. THE CITY WILL NOT PROVIDE FURTHER INFORMATION OR DETAILS AND BUILDING INSPECTORS WILL NOT PROVIDE STEP BY STEP INSTRUCTIONS IN THE FIELD.



1 GROUND FLOOR PLAN
A1-201 | A5-102 SCALE: 1/4" = 1'-0"

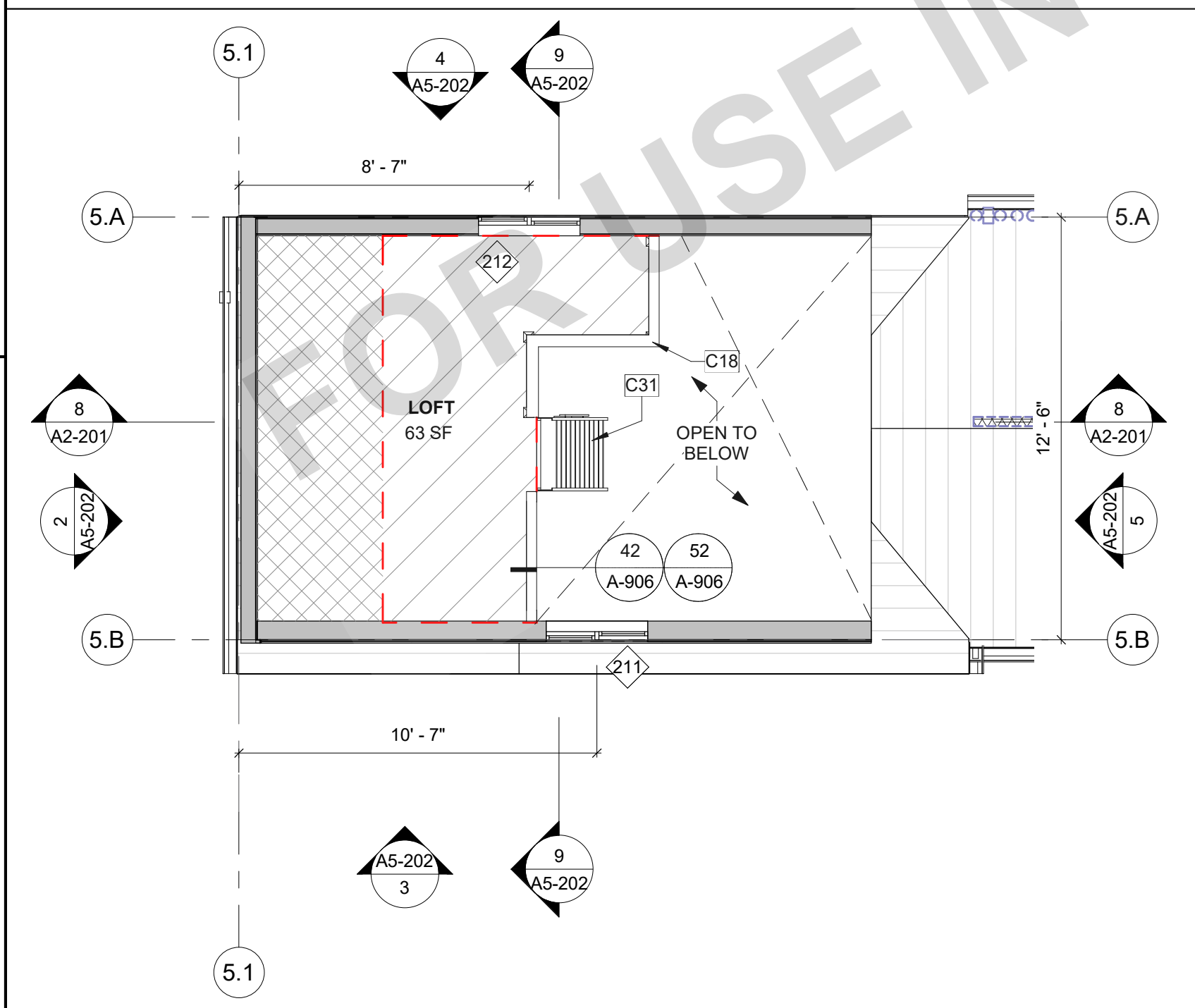


2 GROUND FLOOR PLAN - NO FRONT PORCH OPTIN
A1-201 | A5-102 SCALE: 1/4" = 1'-0"

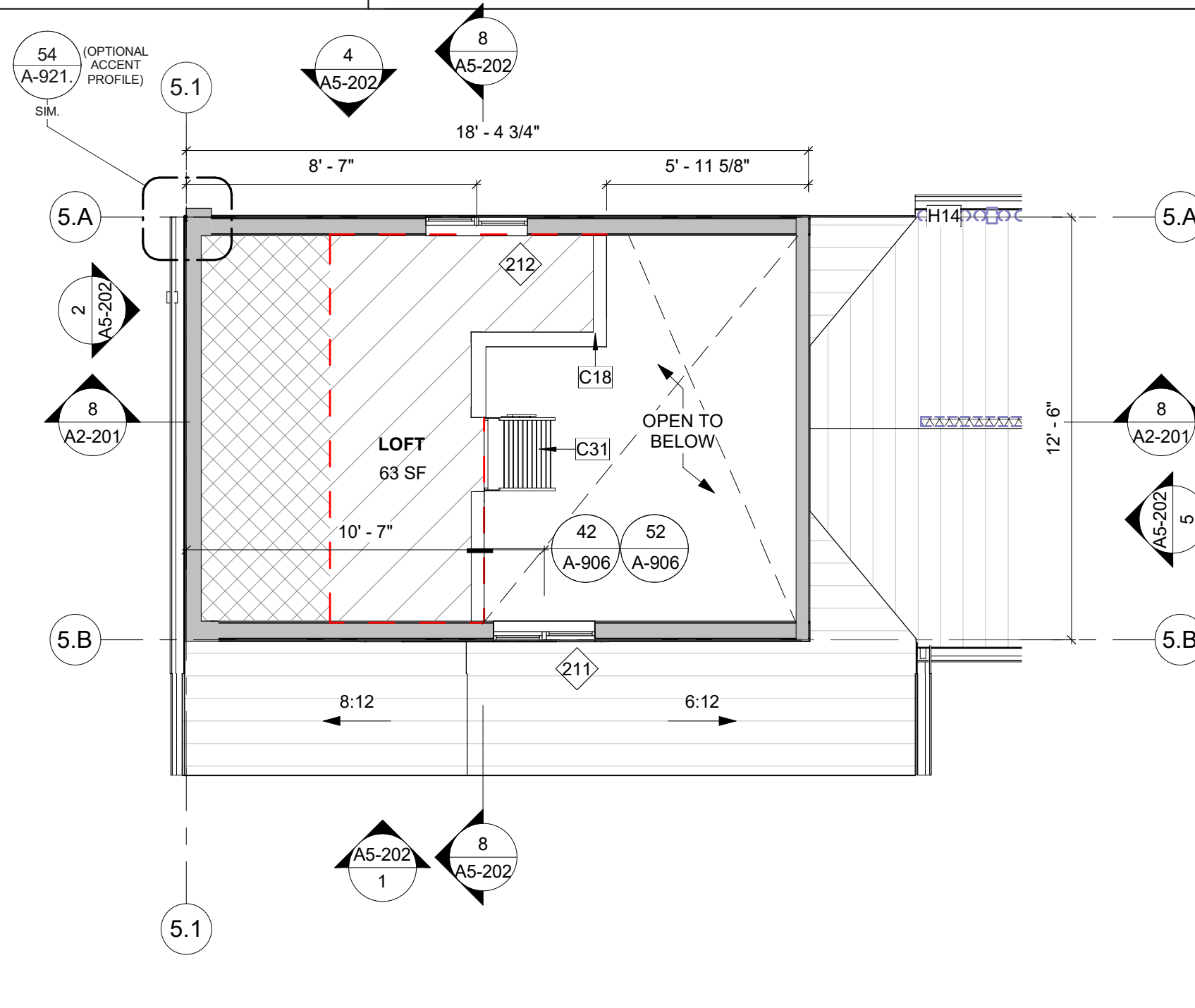
WALL LEGEND

- EXTERIOR - 5 1/2" WOOD STUD W/ SHEATHING AND EXTERIOR FINISH (REFER TO ELEVATIONS), ONE LAYER GYPSUM WALL BOARD INTERIOR.
- EXTERIOR - DOUBLE 5 1/2" WOOD STUD W/ SHEATHING AND EXTERIOR FINISH (REFER TO ELEVATIONS)
- INTERIOR - 3 1/2" WOOD STUD W/ ONE LAYER GYPSUM WALL BOARD EACH SIDE

NOTE: SEE MANUFACTURER'S PRODUCT LISTINGS FOR IMPROVED SOUND AND/OR MOISTURE/MOLD/MILDWE-RESISTANT PERFORMANCE. VISIT GYPSUM.ORG FOR MORE INFORMATION.



4 LOFT PLAN - NO FRONT PORCH OPTION
A1-201 | A5-102 SCALE: 1/4" = 1'-0"



3 LOFT PLAN
A1-201 | A5-102 SCALE: 1/4" = 1'-0"

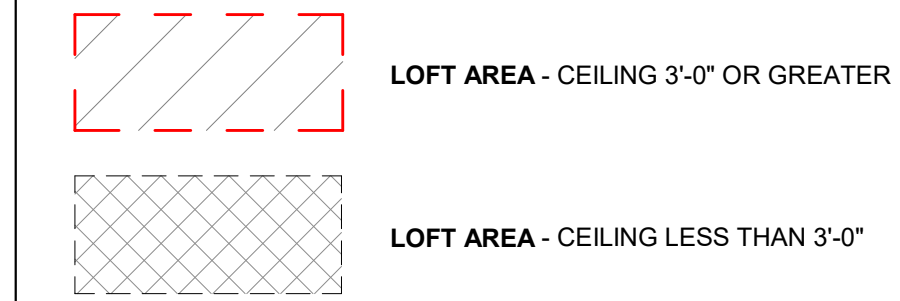
KEYNOTES

- A01 30" WIDE FREE STANDING ELECTRIC RANGE OVEN. VENT TO EXTERIOR, STAINLESS STEEL.
- A05 REFRIGERATOR LOCATION. PROVIDE 42" SPACE WITH ROUGH PLUMBING FOR ICE MAKER (RECESS IN WALL).
- A06 STACKED WASHER/DRYER MACHINE LOCATION. PROVIDE WASTE AND WATER IN RECESSED WALL BOX. PROVIDE DRYER VENT. VENT TO OUTSIDE AIR.
- B02 20" SINGLE COMPARTMENT UNDER-MOUNT KITCHEN SINK W/ GARBAGE DISPOSAL. REFER TO WATER EFFICIENCY REQUIREMENTS ON CALGREEN CODE NOTES SHEET.
- B04 LAVATORY SINK. REFER TO WATER EFFICIENCY REQUIREMENTS ON CALGREEN CODE NOTES SHEETS.
- B05 WATER CLOSET. REFER TO WATER EFFICIENCY REQUIREMENTS ON CALGREEN CODE NOTES SHEETS. REQ. AGING-IN-PLACE BLOCKING. SEE DETAIL SHEETS FOR MORE INFO.
- B06 32" x 60" x 72" TUB AND SHOWER COMBINATION. MODEL BY BUILDER. PROVIDE SHOWER ROD. REQ. AGING-IN-PLACE BLOCKING. SEE DETAIL SHEETS FOR MORE INFO.
- B38 MULTI-ZONE HEAT PUMP CONDENSER UNIT. REFER TO PLANS FOR LOCATION OF INDOOR FAN FAN COIL UNITS. REFER TO TITLE 24 FOR ADDITIONAL INFORMATION. PROVIDE CONCRETE PAD MIN. 6" LARGER THAN UNIT IN EACH DIRECTION, 3" MIN. ABOVE GRADE.
- B47 40 GALLON HEAT PUMP WATER HEATER. REFER TO TITLE 24 FOR ADDITIONAL INFORMATION.
- C01 SINGLE WOOD SHELF AND POLE.
- C08 12" DEEP UPPER CABINET
- C14 TOWEL BAR. #4 INCHES ABOVE FLOOR, PROVIDE 2X6 BACKING AT BATHROOM WALL ATTACHEMENTS
- C16 MIRROR. THE LENGTH OF THE VANITY OR PEDESTAL X 80" AFS. UNO. VERIFY WITH THE ELECTRICAL PLAN FOR LOCATION OF OUTLETS WHICH REQUIRE A CUT-OUT. PROVIDE 2X6 BACKING AT BATHROOM WALL ATTACHEMENTS
- C18 INTERIOR LOFT GUARD (PER CRC AQ104.2.5), ONE HALF OF THE CLEAR HEIGHT TO THE CEILING OR 36" MIN. U.N.O. SEE LOFT GUARD DETAIL 42 ON SHEET A-906 FOR MORE INFORMATION.
- C31 LOFT ACCESS LADDER (PER CRC AQ104.2.2). SEE DETAILS FOR MORE INFORMATION.
- H14 BIRD HOLES SOFFIT VENT (LOW), ATTIC VENTING OPTION A. SEE DETAILS FOR MORE INFORMATION. STRIKE THROUGH IF NOT USED. SEE VENTING CALCS.
- K09 EXTERIOR WALL COVERING. SEE TITLE SHEET & MATERIALS LEGEND FOR SELECTIONS & MORE INFO.
- M02 DOWNSPOUT. CONNECT TO STORM DRAIN SYSTEM OR APPROVED DRAINAGE SYSTEM BY COUNTY.
- X27 OPTIONAL DISHWASHER

FLOOR PLAN GENERAL NOTES

- REFER TO GENERAL NOTES SHEET G-101 FOR ADDITIONAL REQUIREMENTS.
- REFER TO STRUCTURAL PLANS FOR FURTHER INFORMATION.
- REFER TO ELECTRICAL PLANS FOR FURTHER INFORMATION IF PROVIDED.
- REFER TO MECHANICAL PLANS, DRAWINGS OR REPORTS FOR FURTHER INFORMATION.
- ALL FURNITURE AND EQUIPMENT IS BY OWNER AND IS SHOWN FOR COORDINATION PURPOSES ONLY.
- DIMENSIONS ARE TO FACE OF FRAMING UNLESS SPECIFICALLY NOTED OTHERWISE.
- PROVIDE ADEQUATE BLOCKING IN WALLS FOR CABINETS AND OTHER WALL MOUNTED ACCESSORIES INCLUDING BUT NOT LIMITED TO HANDRAILS, SHELVING AND BATHROOM FIXTURES.
- DOOR AND WINDOW DIMENSIONS ARE CENTERED AT OPENINGS.
- WHERE DOOR IS LOCATED WITHOUT DIMENSION AT THE CORNER OF A ROOM IT SHALL BE 4" FROM FACE OF FRAMING OF ADJACENT WALL TO ROUGH DOOR OPENING.
- WHERE RECESSED FIXTURES OCCUR IN WALLS OR HORIZONTAL ASSEMBLIES, THE FIRE RATING OF THOSE ASSEMBLIES SHALL BE MAINTAINED.
- AT ALL PENETRATIONS AND INTERSECTIONS OF FIRE-RATED PARTITIONS, PROVIDE FIRE SEALANT AND/OR FIRE STOPPING TO MAINTAIN CONTINUITY OF PARTITION RATING.
- PER CRC R311.3 FLOORS OR LANDINGS AT EXTERIOR DOORS SHALL BE AT LEAST AS WIDE AS DOOR SERVED AND SHALL PROVIDE A LENGTH IN THE DIRECTION OF TRAVEL EQUAL TO 36 INCHES MINIMUM. SLOPE OF EXTERIOR LANDINGS SHALL NOT EXCEED 1/4" PER FOOT (2% SLOPE).
- PER CRC 327.1.1 REINFORCEMENT FOR GRAB BARS SHALL BE PROVIDED IN AT LEAST ONE BATHROOM. 1. REINFORCEMENT SHALL BE SOLID LUMBER OR OTHER CONSTRUCTION MATERIALS APPROVED BY THE ENFORCING AGENCY. 2. REINFORCEMENT SHALL NOT BE LESS THAN 2X8 INCH NOMINAL LUMBER OR OTHER MATERIAL PROVIDING EQ. HT. AND CAPACITY. REINFORCEMENT ABOVE THE FINISHED FLOOR FLUSH WITH THE WALL FRAMING. 3. WATER CLOSET REINFORCEMENT SHALL BE INSTALLED ON BOTH SIDE WALLS OF THE FIXTURE, OR ONE SIDE WALL AND THE BACK WALL. 4. SHOWER REINFORCEMENT SHALL BE CONTINUOUS WHERE WALL FRAMING IS PROVIDED. 5. BATHTUB AND COMBINATION BATHTUB/SHOWER REINFORCEMENT SHALL BE CONTINUOUS ON EACH END OF THE BATHTUB AND THE BACK WALL. ADDITIONALLY, BACK WALL REINFORCEMENT FOR A LOWER GRAB BAR SHALL BE PROVIDED WITH THE BOTTOM EDGE LOCATED NO MORE THAN 6 INCHES ABOVE THE BATHTUB RIM.

LOFT LEGEND



DOOR GENERAL NOTES

- REFER TO GENERAL NOTES SHEET G-101 FOR ADDITIONAL REQUIREMENTS
- REFER TO PLANS FOR LOCATION OF DOORS.
- VERIFY ROUGH OPENING SIZE WITH DOOR MANUFACTURER SPECIFICATIONS PRIOR TO CONSTRUCTION.
- CONTRACTOR TO VERIFY ACTUAL DOOR SIZE TO FIT FINISH OPENING PRIOR TO FABRICATION OF DOOR AND FINISH OPENING.
- INSTALL PER MANUFACTURERS WRITTEN INSTRUCTIONS.
- REFER TO DOOR TYPES LEGEND FOR GLAZING.
- REFER TO T24 REPORT FOR GLAZING ENERGY REQUIREMENTS.
- GLAZING IN DOORS SHALL BE TEMPERED PER SECTION R308.4.1. PANES INDICATED IN DOOR LEGEND WITH (T).

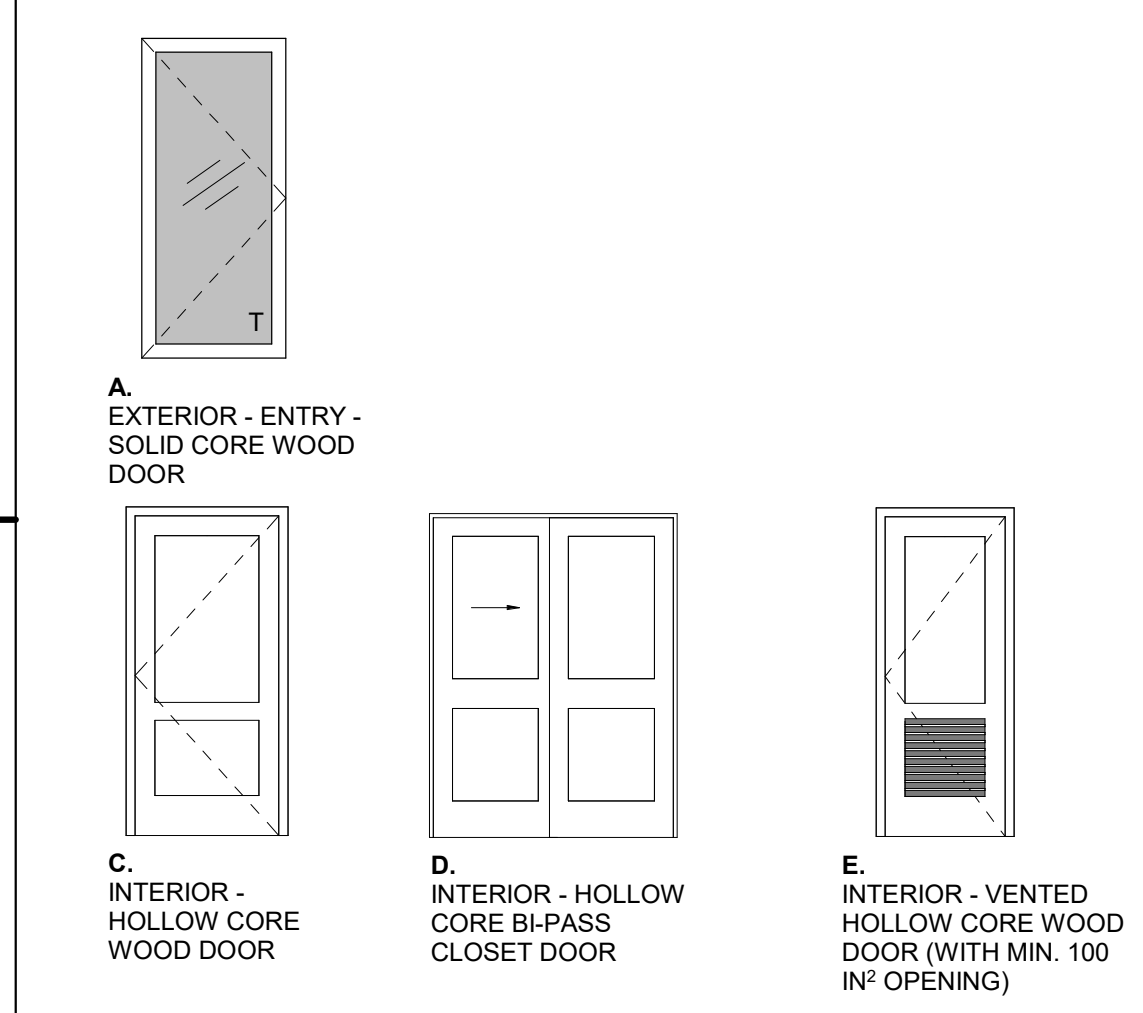
DOOR REMARKS

- EXTERIOR DOOR.
- GLAZING PER DOOR TYPES. REFER TO GENERAL DOOR NOTE #8
- PROVIDE 100 SQ INCHES OF VENTING IN DOOR OR BY OTHER APPROVED MEANS.
- OPTIONAL DOOR.

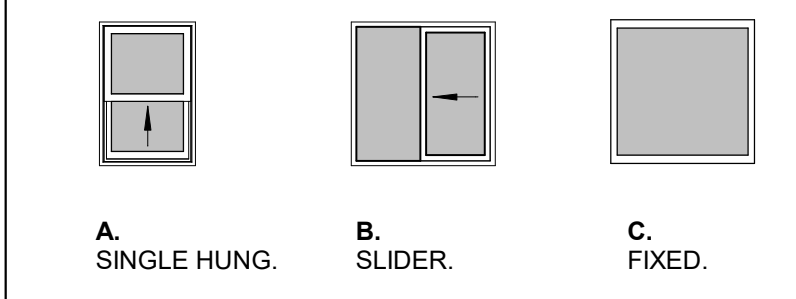
DOOR SCHEDULE

	TYPE	WIDTH	HEIGHT	REMARKS
101	A	3'-0"	6'-8"	1, 2
102	C	2'-6"	6'-8"	
103	E	2'-6"	6'-8"	3
104	C	2'-6"	6'-8"	
105	D	4'-6"	6'-8"	
106	C	2'-6"	6'-8"	

DOOR LEGEND



WINDOW LEGEND



WINDOW GENERAL NOTES

- REFER TO GENERAL NOTES ON SHEET G-101 FOR ADDITIONAL REQUIREMENTS.
- REFER TO FLOOR PLANS FOR WINDOW LOCATIONS.
- CONTRACTOR TO VERIFY EXACT ROUGH OPENING SIZES PRIOR TO FABRICATION OF ROUGH OPENINGS.
- INSTALL PER MANUFACTURERS WRITTEN INSTRUCTIONS.
- REFER TO ENERGY COMPLIANCE REPORTS FOR U-FACTOR, SHGC AND ADDITIONAL WINDOW REQUIREMENTS.
- ALL GLAZING IS DOUBLE PANE WITH A MINIMUM OF ONE TEMPERED PANE UNLESS OTHERWISE NOTED.
- EGRESS WINDOWS SHALL HAVE A CLEAR OPENING WITH A MAX. SILL HEIGHT OF 44" AFF. MIN NET CLEAR OPENING FOR EMERGENCY ESCAPE SHALL BE 5.7 S.F. EXCEPTION: MIN 5 S.F. AT GROUND FLOOR. MINIMUM NET CLEAR OPENING DIMENSIONS: HEIGHT: 24"; WIDTH: 20".
- MULLED WINDOW ASSEMBLY. MULLED WINDOW ASSEMBLY IN BATHUB / SHOWER WHERE THE BOTTOM EXPOSED EDGE OF THE GLAZING IS LESS THAN 60" MEASURED VERTICALLY ABOVE ANY STANDING OR WALKING SURFACE SHALL BE SAFETY GLAZING. [CRC SEC. R308.4.5]

WINDOW REMARKS

- REQUIRED EGRESS WINDOW. REFER TO GENERAL NOTE #7 FOR ADDITIONAL INFORMATION.
- HAZARDOUS LOCATION. WINDOW INCLUDES BOTH PANES TEMPERED GLAZING.
- MULLED WINDOW ASSEMBLY.
- OPTIONAL WINDOW.
- OBSCURE OPTIONAL. VERIFY WITH OWNER/APPLICANT.

WINDOW SCHEDULE

NO.	TYPE	WIDTH	SIZE HEIGHT	HEAD HEIGHT	REMARKS
101	B	3'-0"	2'-0"	6'-8"	2
102	B	3'-0"	3'-0"	6'-8"	
103	B	5'-0"	5'-0"	6'-8"	
104	B	5'-0"	5'-0"	6'-8"	1
105	B	4'-0"	4'-0"	6'-8"	
211	B	3'-0"	3'-0"	3'-0"	1

NOTE: PLEASE CROSS THROUGH THE CLIMATE ZONE THAT IS NOT APPLICABLE.
CLIMATE ZONE 4 (C24) U-0.30 AND SHGC-0.23
CLIMATE ZONE 5 (C25) U-0.30 AND SHGC-0.35

COUNTY OF SAN LUIS OBISPO
ACCESSORY DWELLING UNIT
SAN LUIS OBISPO, CA

FLOOR PLAN

DATE
11/28/2023
SHEET

A5-102



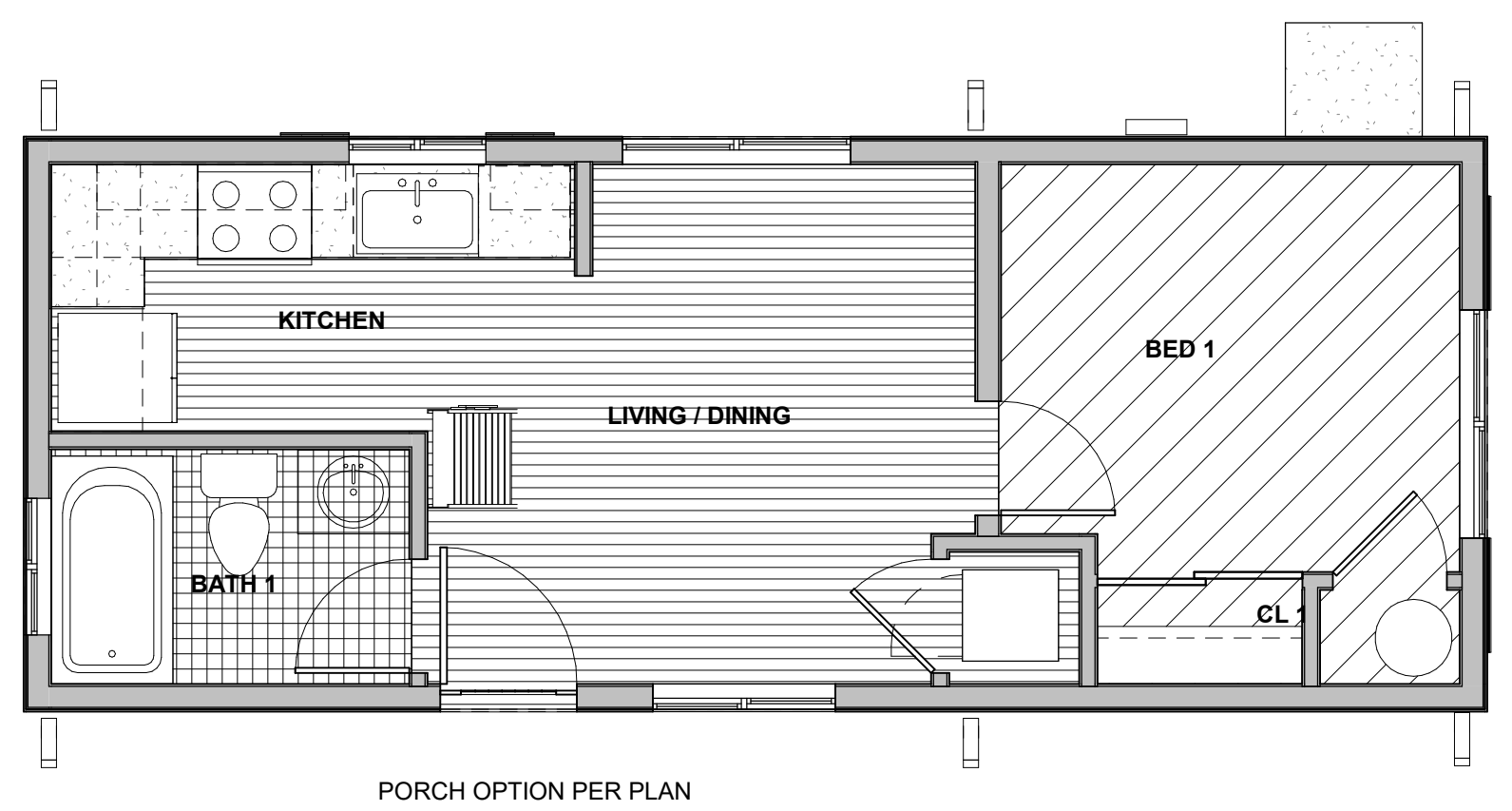
THESE PLANS ARE PROVIDED BY THE COUNTY OF SAN LUIS OBISPO AS PART OF THE PRE-APPROVED ADU PROGRAM AND ARE PUBLIC DOMAIN. THERE CANNOT BE A CHARGE TO PROVIDE THESE PLANS. NO ALTERATIONS TO THESE PLANS ARE ALLOWED. ALL ALTERATIONS MUST BE DONE UNDER A SEPARATE PERMIT ONCE THE BUILDING PERMIT FOR THE ADU HAS BEEN ISSUED AND FINAL INSPECTION COMPLETED. IF YOU DO NOT HAVE THE CONSTRUCTION KNOWLEDGE AND EXPERIENCE TO CONSTRUCT THESE PLANS WITHOUT FURTHER DETAILS, IT IS RECOMMENDED YOU HIRE A CONTRACTOR TO DO THE CONSTRUCTION. THE CITY WILL NOT PROVIDE FURTHER INFORMATION OR DETAILS AND BUILDING INSPECTORS WILL NOT PROVIDE STEP BY STEP INSTRUCTIONS IN THE FIELD.

GENERAL MEP NOTES

1. REFER TO ELECTRICAL NOTES ON SHEET G-101.
2. REFER TO MECHANICAL NOTES ON SHEET G-101.
3. REFER TO PLUMBING NOTES ON SHEET G-101.
4. REFER TO TITLE 24 COMPLIANCE NOTES ON SHEET G-101.
5. EXTERNALLY MOUNTED HEATING/COOLING UNITS SHALL BE SCREENED IF THEY ARE VISIBLE FROM A PUBLIC STREET.
6. ALL SMOKE ALARMS TO BE HARD-WIRED WITH A BATTERY BACK-UP, AND ALL SMOKE ALARMS MUST BE INTERCONNECTED AND SOUND AN ALARM CLEARLY AUDIBLE IN ALL BEDROOMS.
7. ALL CARBON MONOXIDE ALARMS TO BE HARD-WIRED WITH A BATTERY BACK-UP, AND ALL CARBON MONOXIDE ALARMS MUST BE INTERCONNECTED AND SOUND AN ALARM CLEARLY AUDIBLE IN ALL BEDROOMS.

KEYNOTES

- A01 30" WIDE FREE STANDING ELECTRIC RANGE OVEN. VENT TO EXTERIOR, STAINLESS STEEL.
- A05 REFRIGERATOR LOCATION. PROVIDE 42" SPACE WITH ROUGH PLUMBING FOR ICE MAKER (RECESS IN WALL).
- A06 STACKED WASHER/DRYER MACHINE LOCATION. PROVIDE WASTE AND WATER IN RECESSED WALL BOX. PROVIDE DRYER VENT. VENT TO OUTSIDE AIR.
- B18 ELECTRIC PANEL, 100AMP 240V.
- B38 MULTI-ZONE HEAT PUMP CONDENSER UNIT. REFER TO PLANS FOR LOCATION OF INDOOR FAN COIL UNITS. REFER TO TITLE 24 FOR ADDITIONAL INFORMATION. PROVIDE CONCRETE PAD MIN. 6" LARGER THAN UNIT IN EACH DIRECTION, 3" MIN. ABOVE GRADE.
- B47 40 GALLON HEAT PUMP WATER HEATER. REFER TO TITLE 24 FOR ADDITIONAL INFORMATION.
- B48 FAN COIL. REFER TO PLANS FOR LOCATION OF OUTDOOR CONDENSING UNIT. REFER TO TITLE 24 FOR ADDITIONAL INFORMATION. PROVIDE OUTLET.
- X27 OPTIONAL DISHWASHER



2 FINISH PLAN

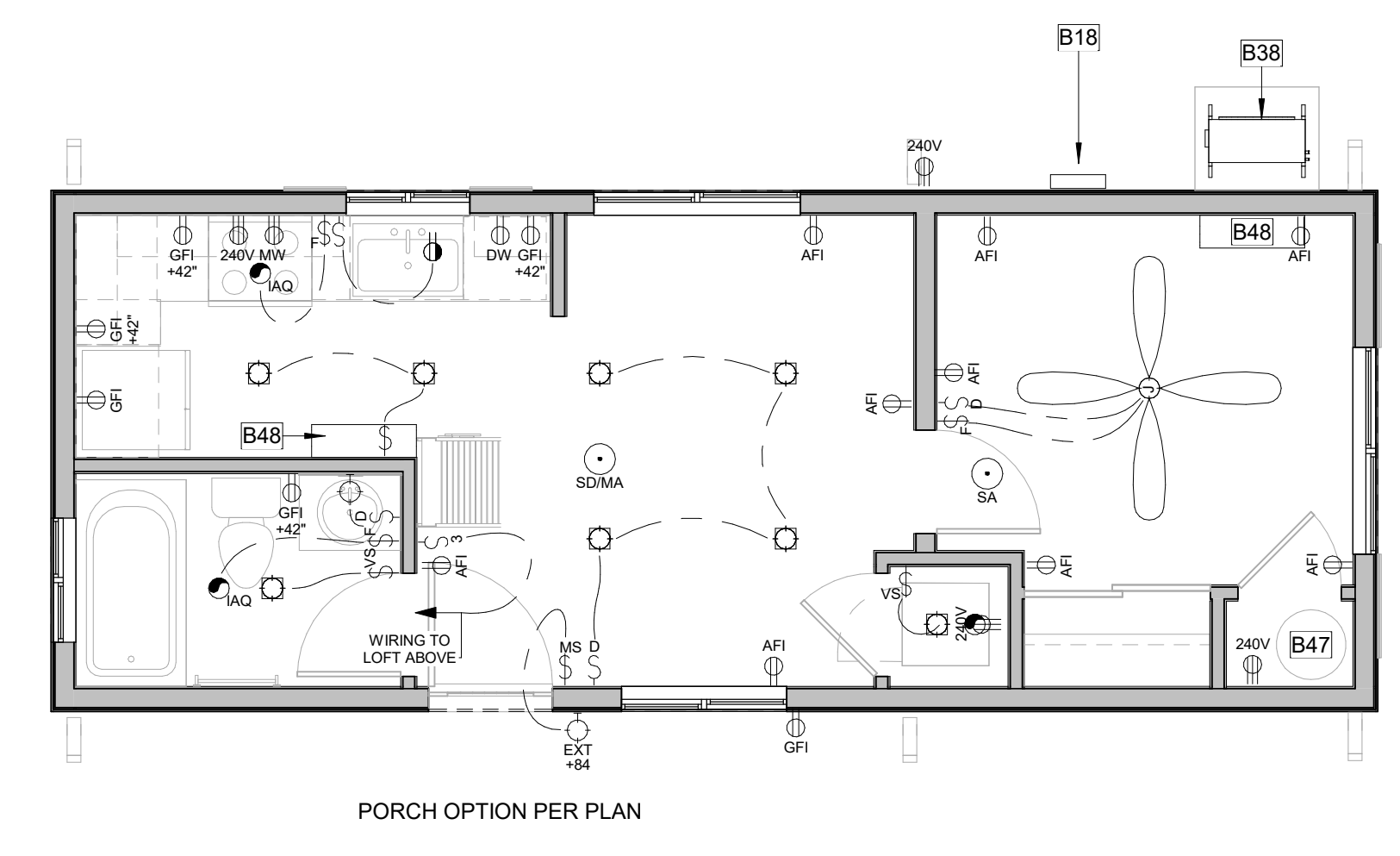
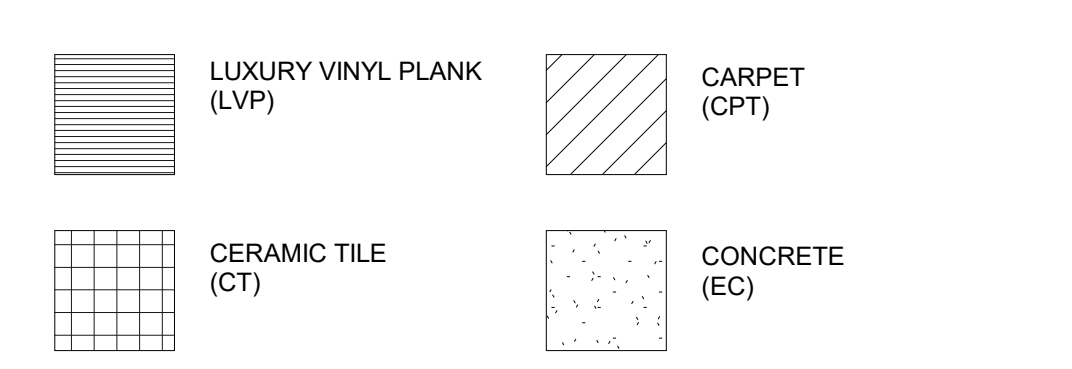
A1-201 | A5-111 SCALE: 1/4" = 1'-0"

FINISH PLAN GENERAL NOTES

1. REFER TO GENERAL NOTES SHEET G-101 FOR ADDITIONAL REQUIREMENTS.
2. REFER TO ELECTRICAL PLANS FOR FURTHER INFORMATION.
3. REFER TO PLUMBING PLANS FOR FURTHER INFORMATION.
4. REFER TO DETAILS FOR FLOOR/CEILING ASSEMBLIES AND INTERIOR FINISH DETAILS.
5. ALL HARD SURFACE FLOORING SHALL BE SLIP RESISTANT AND MEET THE ANSI A326.3 STANDARD FOR MEASURING THE DYNAMIC COEFFICIENT OF FRICTION (DCOF).
6. ALL FLOORING MATERIALS SHALL COMPLY WITH CBC SEC. 804.1.
7. ALL WALL AND CEILING FINISHES SHALL COMPLY WITH CBC TABLE 803.13 FOR MAXIMUM FLAME SPREAD AND SMOKE DENSITY.

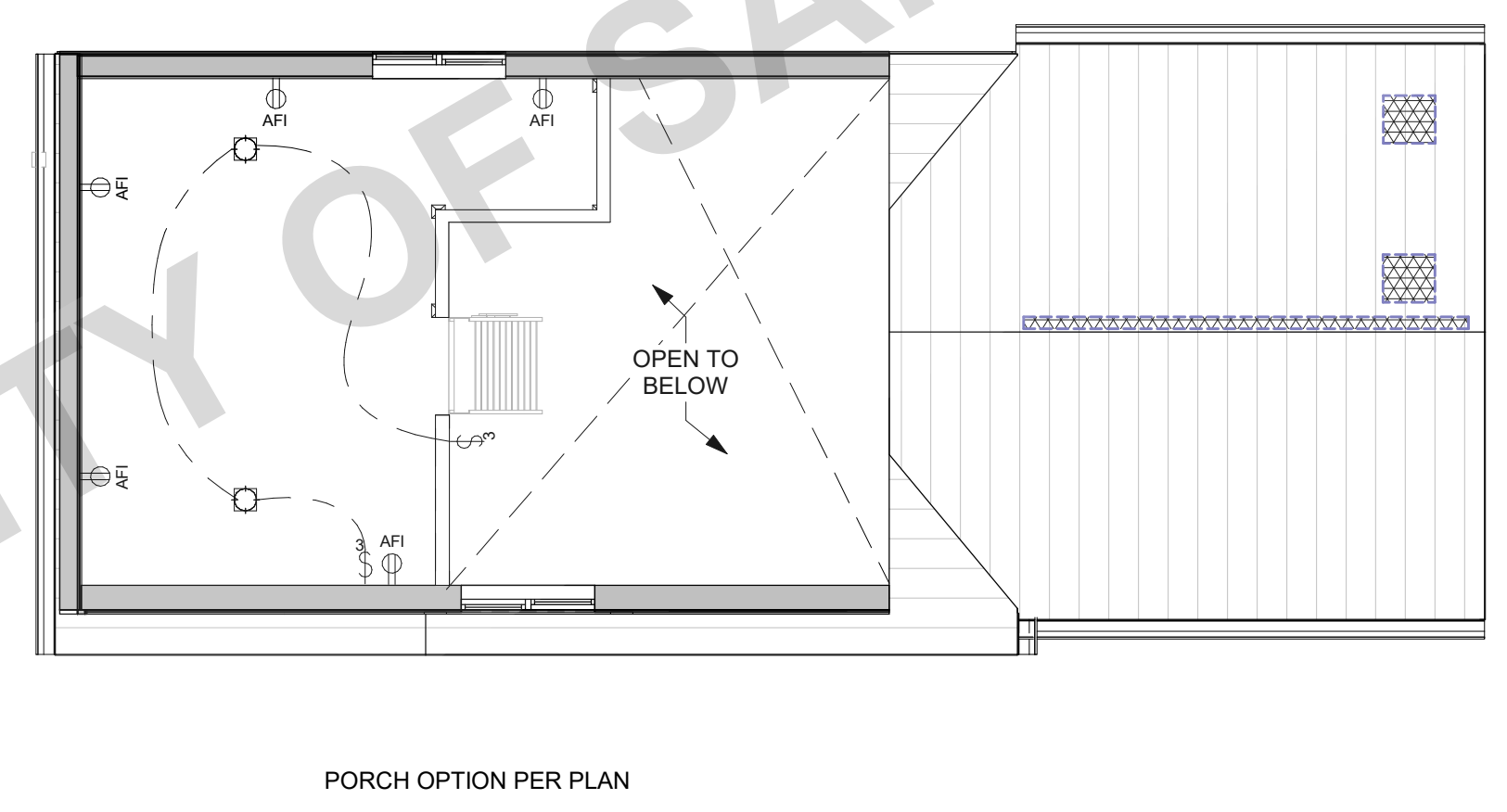
FINISH SCHEDULE PLAN 5				
NAME	FLOOR	WALL	CEILING	NOTES
LIVING / DINING	LVP	GWB	GWB	WR GWB BEHIND KITCHEN COUNTER
BATH 1	CT	WR GWB	WR GWB	AT CERAMIC TILE IN TUB/SHOWER AREAS. PROVIDE BACKER BOARD PER CRC TABLE R702.4.2
BED 1	CPT	GWB	GWB	
CL 1	CPT	GWB	GWB	
LAUNDRY	LVP	GWB	GWB	

FINISH LEGEND



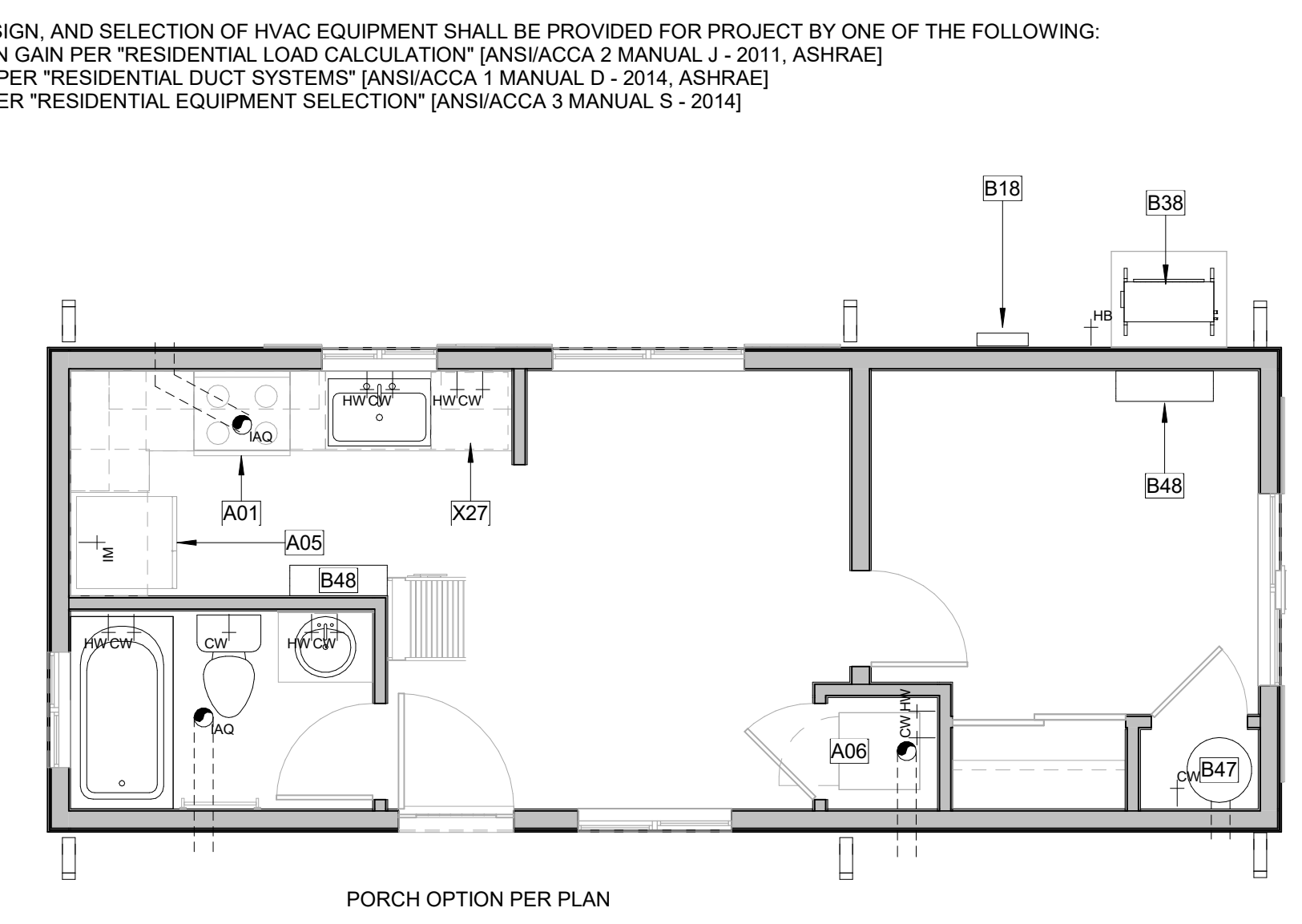
1 GROUND FLOOR ELECTRICAL PLAN

A1-201 | A5-111 SCALE: 1/4" = 1'-0"



3 LOFT ELECTRICAL PLAN

A1-201 | A5-111 SCALE: 1/4" = 1'-0"



4 GROUND FLOOR MECHANICAL PLAN

A1-201 | A5-111 SCALE: 1/4" = 1'-0"

VENTILATION SUMMARIES

1) LOCAL EXHAUST VENTILATION			
BATHROOM	OPTION A	OPTION B	
BATHROOM FAN FLOW (cfm)	50 CFM	50	
DUCT TYPE	FLEX DUCT	SMOOTH DUCT	
DUCT SIZE (in)	4"	4	
MAX. ALLOWABLE DUCT LENGTH (ft)	70'	105	
THIS EXHAUST FAN IS REQUIRED TO BE RATED FOR SOUND AT A MAX. OF 3 SONES.			
KITCHEN	OPTION A	OPTION B	
KITCHEN FAN FLOW (cfm)	10 CFM	50	
DUCT TYPE	FLEX DUCT	SMOOTH DUCT	
DUCT SIZE (in)	35"	5	
MAX. ALLOWABLE DUCT LENGTH (ft)	0'	85	
THIS EXHAUST FAN IS REQUIRED TO BE RATED FOR SOUND AT A MAX. OF 3 SONES.			
2) WHOLE BUILDING VENTILATION			
PER ASHRAE STANDARD 62.2, CEC EQUATION 150.0-B			
BUILDING FAN FLOW (cfm)	50 CFM	50	
DUCT TYPE	FLEX DUCT	SMOOTH DUCT	
DUCT SIZE (in)	4"	4	
MAX. ALLOWABLE DUCT LENGTH (ft)	70'	105	
THIS EXHAUST FAN IS REQUIRED TO BE RATED FOR SOUND AT A MAX. OF 1 SONE.			
THIS EXHAUST FAN IS REQUIRED TO OPERATE CONTINUOUSLY TO ENSURE CONTINUOUSLY TO ENSURE INDOOR AIR QUALITY.			

TOTAL (MINIMUM) REQUIRED VENTILATION RATE
 PER ASHRAE STANDARD 62.2, CEC EQUATION 150.0-B
 $Q_{CFM} = .03(\text{FLOOR AREA}) + 7.5 (\# \text{ OF BEDROOMS} + 1)$

1 BED - MINIMUM CUBIC FEET PER MINUTE (CFM)
 $Q_{CFM} = .03(X) + 7.5 (0 + 1) = XX.XX$ **.03(497 sf) + 7.5 (1) = 22.41 CFM < 50 CFM**

LEGEND

- NOTE: ALL OUTDOOR OUTLETS SHALL HAVE GFCI PROTECTION AND WEATHERPROOF COVERS.
- ⊕ ELECTRICAL SWITCH
 - ⊕ SA ELECTRICAL SWITCH-THREE WAY
 - ⊕ SDMA ELECTRICAL SWITCH-VACANCY SENSOR
 - ⊕ -T-MB ELECTRICAL SWITCH-MOTION SENSOR
 - ⊕ -T-DB ELECTRICAL SWITCH-DIMMER
 - ⊕ -T-FA ELECTRICAL SWITCH-FAN
 - ⊕ -T-FA ASTRONOMICAL TIME SWITCH
 - ⊕ EXHAUST FAN
 - ⊕ IAQ INDOOR AIR QUALITY FAN
 - ⊕ P PENDANT LIGHT
 - ⊕ W WALL MOUNTED HIGH-EFFICACY LIGHT
 - ⊕ WP EXTERIOR WALL MOUNTED HIGH-EFFICACY LIGHT
 - ⊕ R HIGH-EFFICACY DOWNLIGHT
 - ⊕ VP RECESSED HIGH-EFFICACY DOWNLIGHT VAPOR PROOF
 - ⊕ ELECTRICAL WIRING
 - ⊕ SMOKE DETECTOR/ALARM
 - ⊕ SDMA COMBINATION SMOKE/CARBON MONOXIDE ALARM
 - ⊕ COMPUTER DATA LOCATION
 - ⊕ TELEPHONE LOCATION
 - ⊕ CABLE TELEVISION LOCATION
 - ⊕ ELECTRICAL JUNCTION BOX
 - ⊕ DUPLEX OUTLET ARC-FAULT CIRCUIT INTERRUPTER
 - ⊕ 240V DUPLEX OUTLET 240 VOLTS
 - ⊕ GFI DUPLEX OUTLET GROUND FAULT INTERRUPTER
 - ⊕ GFI DUPLEX OUTLET WATERPROOF GROUND FAULT INTERRUPTER
 - ⊕ DUPLEX OUTLET AFCI-HALF HOT
 - ⊕ DW DUPLEX OUTLET DISH WASHER
 - ⊕ RH DUPLEX OUTLET RANGE HOOD
 - ⊕ CW COLD WATER STUB OUT
 - ⊕ HW HOT WATER STUB OUT
 - ⊕ HB WATER HOSE BIBB
 - ⊕ HWB WATER HOSE BIBB WITH SHUT OFF VALVE
 - ⊕ IM ICE MACHINE STUB OUT
 - ⊕ UNDER CABINET HIGH-EFFICACY LIGHT
 - ⊕ 22"X30" MIN. CEILING ACCESS PANEL
 - ⊕ AIR HANDLER UNIT, PROVIDE DEDICATED OUTLET

COUNTY OF SAN LUIS OBISPO
 ACCESSORY DWELLING UNIT
 SAN LUIS OBISPO, CA
 FINISH, MECHANICAL, &
 ELECTRICAL PLANS

DATE
 11/28/2023
 SHEET
 A5-111

ROOF INSULATION NOTES

ROOF ASSEMBLY SHALL MEET REQUIREMENTS OF CRC CHAPTER 9.

CRC R806.5 UNVENTED ATTIC

ROOF ASSEMBLY MINIMUM R-VALUE R-38 REQUIRED PER TITLE-24.

PROPOSED INSULATION: 7.25" OF AIR-IMPERMEABLE CLOSED CELL SPRAY FOAM INSULATION WITH R-VALUE OF 5.25 MINIMUM.

$$7.25" (\text{MIN.}) (X) R-5.25 = \mathbf{R-38 \text{ TOTAL}}$$

NOTE: HIGHER PERFORMING AIR-IMPERMEABLE CLOSED CELL SPRAY INSULATION MAY BE USED TO MEET THE R-38 REQUIRED TOTAL.

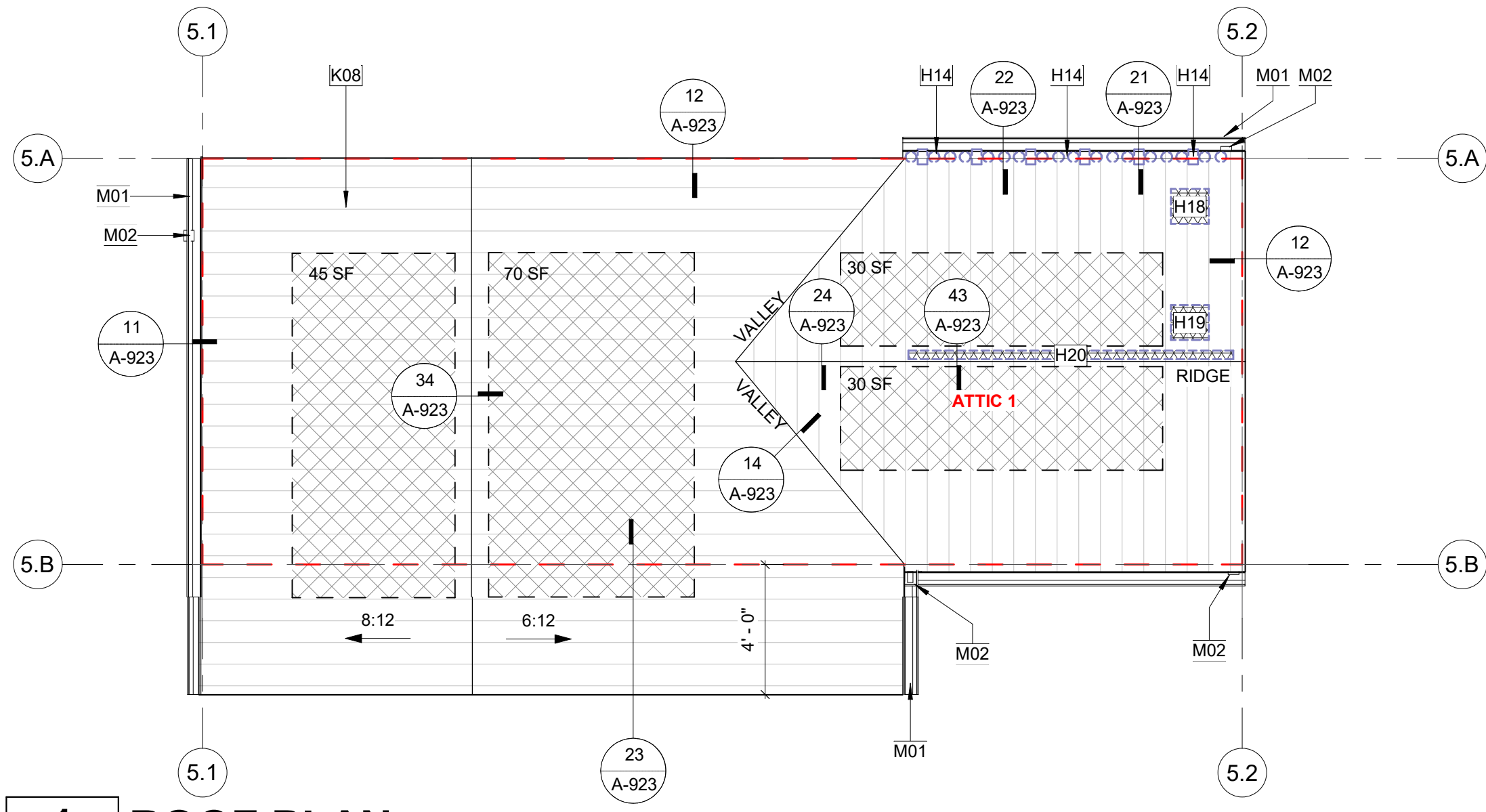
EXAMPLE: 5.5" OF AIR IMPERMEABLE CLOSED CELL SPRAY FOAM INSULATION WITH R-VALUE OF 7.

$$5.43" (\text{MIN.}) (X) R-7 = \mathbf{R-38 \text{ TOTAL}}$$

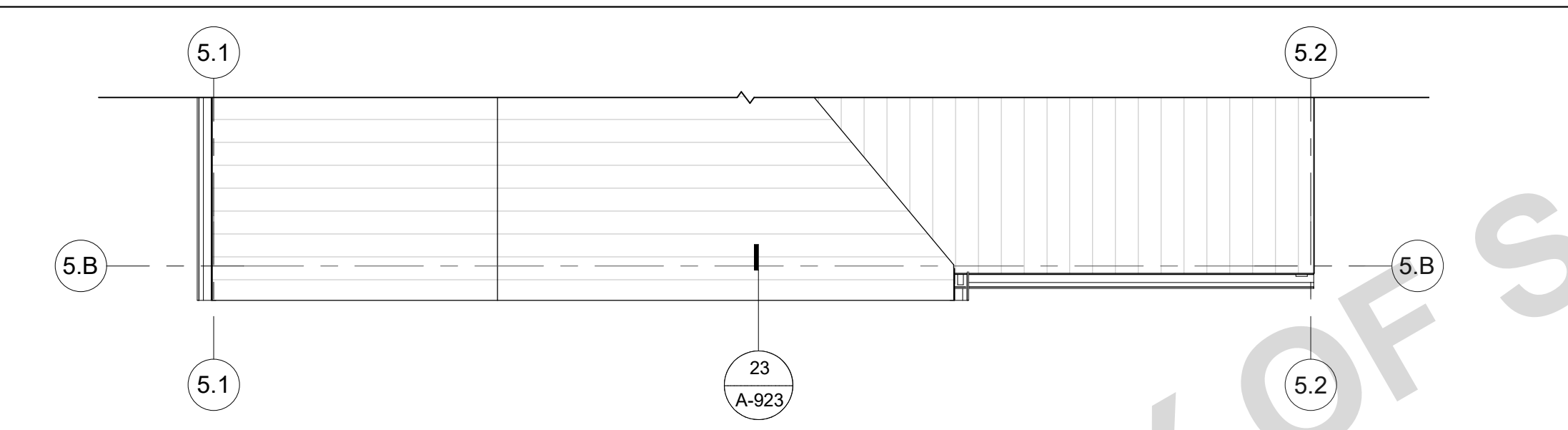
NOTE: MINIMUM INSULATION DEPTH REQUIRED FOR MOISTURE CONTROL VARIES BY CLIMATE LOCATION. SEE CALIFORNIA ENERGY CODE PROVISIONS, FIGURE 100. 1-A OF THE CALIFORNIA ENERGY CODE FOR SITE SPECIFIC PROJECT.

AN UNVENTED ATTIC IN CLIMATE ZONE 5 REQUIRES MINIMUM AIR-IMPERMEABLE INSULATION OF R-20 PER CRC 806.5 TABLE R806.5 FOR MOISTURE CONTROL.

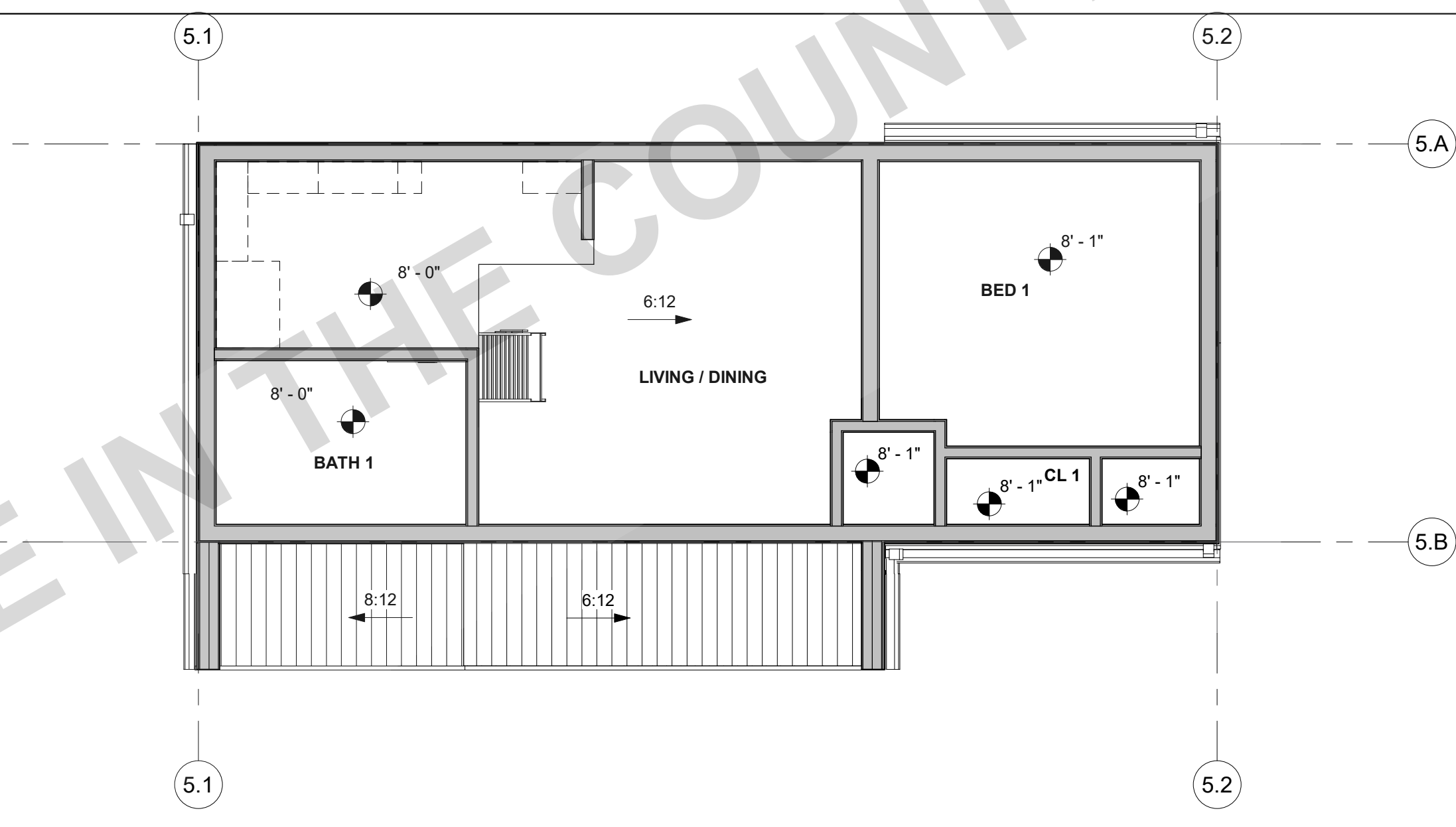
AN UNVENTED ATTIC IN CLIMATE ZONE 4B REQUIRES MINIMUM AIR-IMPERMEABLE INSULATION OF R-15 PER CRC 806.5 TABLE R806.5 FOR MOISTURE CONTROL.



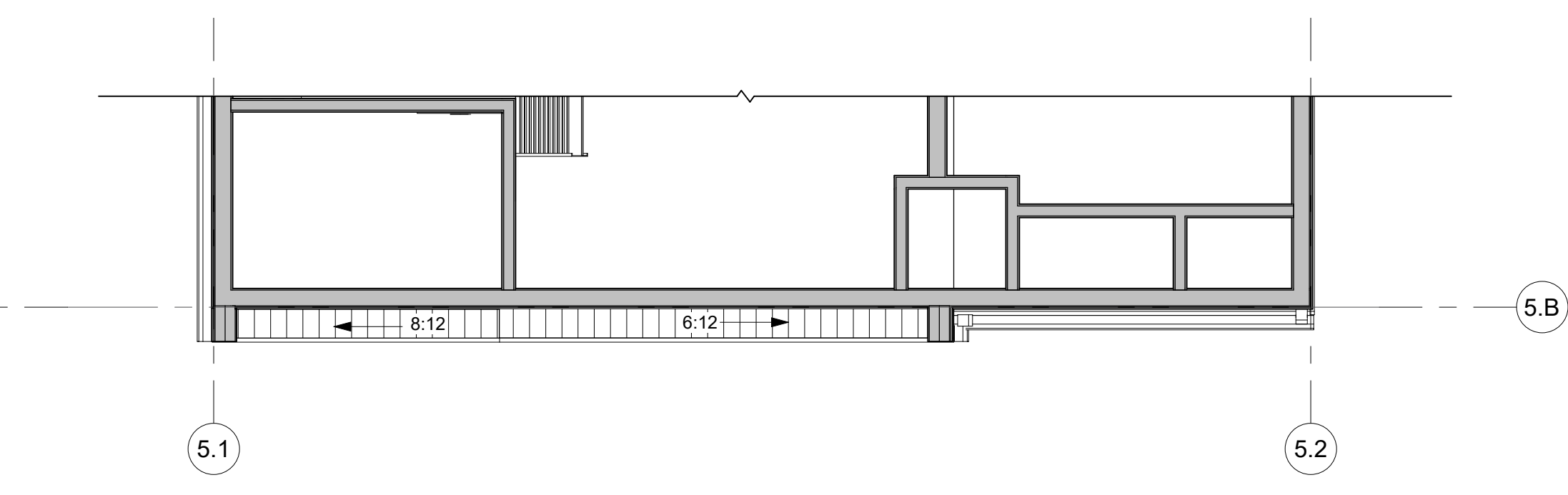
1 ROOF PLAN
A1-201 | A5-122 SCALE: 1/4" = 1'-0"



2 ROOF PLAN - NO FRONT PORCH OPTION
A1-201 | A5-122 SCALE: 1/4" = 1'-0"



3 REFLECTED CEILING PLAN
A1-201 | A5-122 SCALE: 1/4" = 1'-0"



4 REFLECTED CEILING PLAN - NO FRONT PORCH OPTION
A1-201 | A5-122 SCALE: 1/4" = 1'-0"

RCP GENERAL NOTES

- REFER TO GENERAL NOTES SHEET G-102 FOR ADDITIONAL REQUIREMENTS.
- HEIGHT OF CEILINGS SHALL BE MEASURED FROM TOP OF SLAB OR FLOOR TO FINISH FACE OF G.W.B. U.N.O.
- REFER TO ELECTRICAL PLANS FOR LIGHT FIXTURE AND EXHAUST LOCATIONS.
- DIMENSIONS ARE TO THE FACE OF FRAMING UNLESS OTHERWISE NOTED.
- LABEL MATERIAL SELECTIONS ON ALL RAKES, EAVES, PORCH SOFFITS, & OVERHANGS (A, B, C...).

KEYNOTES

- H14 BIRD HOLES SOFFIT VENT (LOW). ATTIC VENTING OPTION A. SEE DETAILS FOR MORE INFORMATION. STRIKE THROUGH IF NOT USED. SEE VENTING CALCS.
- H18 DORMER VENT (LOW). ATTIC VENTING OPTION B. PAINT OR FINISH TO MATCH ROOF COLOR. STRIKE THROUGH IF NOT USED. SEE VENTING CALCS.
- H19 DORMER VENT (HIGH). ATTIC VENTING OPTION B. PAINT OR FINISH TO MATCH ROOF COLOR. STRIKE THROUGH IF NOT USED. SEE VENTING CALCS.
- H20 RIDGE VENT (HIGH). ATTIC VENTING OPTION A. SEE DETAILS FOR MORE INFORMATION. STRIKE THROUGH IF NOT USED. SEE VENTING CALCS.
- K08 METAL ROOF. SEE MATERIALS LEGEND FOR MORE INFO.
- M01 GUTTER. CONNECT TO DOWNSPOUT. PROVIDE MEANS TO PREVENT ACCUMULATION OF LEAVES AND DEBRIS IN GUTTER PER CRC R337.5.4
- M02 DOWNSPOUT. CONNECT TO STORM DRAIN SYSTEM OR APPROVED DRAINAGE SYSTEM BY COUNTY.

ROOF PLAN GENERAL NOTES

- REFER TO GENERAL NOTES SHEET G-101 FOR ADDITIONAL REQUIREMENTS
- REFER TO STRUCTURAL PLANS FOR ROOF FRAMING INFORMATION INCLUDING MEMBER SIZES AND CONNECTION HARDWARE.
- REFER TO MECHANICAL/ELECTRICAL SHEETS FOR ROOF PENETRATION LOCATIONS.
- PROVIDE A MINIMUM OF 1 INCH OF AIRSPACE BETWEEN THE INSULATION AND ROOF SHEATHING.
- WHERE THE ROOF PROFILE ALLOWS A SPACE BETWEEN THE ROOF COVERING AND DECKING, THE SPACES SHALL BE CONSTRUCTED TO PREVENT THE INTRUSION OF FLAMES AND EMBERS. BE FIRESTOPPED WITH APPROVED MATERIALS OR HAVE ONE LAYER OF MINIMUM 72 POUND MINERAL-SURFACED NONPERFORATED CAP SHEET OVER THE COMBUSTIBLE DECKING.
- ALL ROOFING MATERIALS TO BE INSTALLED PER MANUFACTURER'S SPECIFICATIONS.
- OVERHANG DIMENSIONS ARE FROM FACE OF EXTERIOR WALL FRAMING TO ROOF EDGE.
- ROOF COVERINGS AND UNDERLAYMENT SHALL BE APPLIED IN ACCORDANCE WITH (CRC R806) AND MANUFACTURER'S INSTALLATION INSTRUCTIONS
- ROOF VENTS SHALL BE APPLIED PER MANUFACTURER'S SPECIFICATIONS
- FURNISHED DIMENSIONS FOR VENTS ARE GUIDES ONLY. INSTALL PER MANUFACTURER'S SPECIFICATIONS AND ADJUST TO ACCOMMODATE TRUSS LOCATIONS, PLUMBING VENTS, AND SOLAR COLLECTORS.
- ENCLOSED ATTICS AND ENCLOSED RAFTER SPACES FORMED WHERE CEILING ARE APPLIED DIRECTLY TO THE UNDERSIDE OF ROOF RAFTERS SHALL HAVE CROSS VENTILATION FOR EACH SEPARATE SPACE BY VENTILATING OPENINGS PROTECTED AGAINST THE ENTRANCE OF RAIN OR SNOW. VENTILATION OPENINGS SHALL HAVE A LEAST DIMENSION OF 1/16 INCH MINIMUM AND 1/4 INCH MAXIMUM. OPENINGS IN ROOF FRAMING MEMBERS SHALL CONFORM TO THE REQUIREMENTS OF SECTION R802.7. REQUIRED VENTILATION OPENINGS SHALL OPEN DIRECTLY TO THE OUTSIDE AIR AND SHALL BE PROTECTED TO PREVENT THE ENTRY OF BIRDS, RODENTS, SNAKES AND OTHER SIMILAR CREATURES.
- THE MINIMUM NET FREE VENTILATING AREA SHALL COMPLY WITH CRC R806.2.
- IN THE INSTANCE OF UPPER VENTS, VENTS SHALL BE LOCATED NO MORE THAN 3 FT BELOW THE RIDGE OR HIGHEST POINT OF THE SPACE, MEASURED VERTICALLY. CRC R806.2
- FOR VENTED ROOF ASSEMBLIES: PROVIDE A MINIMUM OF 1 INCH OF AIRSPACE BETWEEN THE INSULATION AND ROOF SHEATHING.
- FOR UN-VENTED ROOF ASSEMBLIES: ROOF ASSEMBLY TO MEET CODE REQUIREMENTS OF CRC R806.5. PROVIDE MINIMUM 2" HIGH DENSITY CLOSE CELL INSULATION. PROVIDE ADDITIONAL INSULATION AS NEEDED TO MEET MINIMUM ROOF ASSEMBLY R-VALUE REQUIRED BY TITLE-24.
- ALL ROOFING TO BE INSTALLED PER MANUFACTURER'S SPECIFICATIONS.
- OVERHANG DIMENSIONS ARE FROM FACE OF EXTERIOR WALL FRAMING TO ROOF EDGE

MATERIALS LEGEND

GRAPHICS LEGEND: OWNER/APP. TO PROVIDE MANUFACTURER, COLOR/FINISH SPECIFICATIONS, & WUI (WHEN REQ.) PRODUCT LISTINGS:

- ROOFING: SEE MATERIALS LEGEND ON ELEVATION SHEET FOR MORE INFORMATION. CLASS A ROOF REQ. BY WUI.
- INTERIOR CEILING FINISH, TYP. 5/8" GYP. INSTALL PER MFR RECOMMENDATIONS.
NOTE: SEE MANUFACTURER'S PRODUCT LISTINGS FOR IMPROVED SOUND AND/OR MOISTURE/MOLD/MILDEW-RESISTANT PERFORMANCE PRODUCTS. VISIT GYPSUM.ORG FOR MORE INFORMATION.
- EXTERIOR EAVES, PORCH SOFFITS, & OVERHANGS
 - A) 2X TOUNGE & GROOVED (SOLID SAWN LUMBER)
 - B) FIBER CEMENT SOFFIT PANELS
 - C) HARDBOARD SOFFIT PANELS
 - D) EXT. GRADE FIRE RETARDANT TREATED SHEATHING (LABEL SELECTION ON REFLECTED CEILING PLAN)

- NOTES:**
- SOFFIT MATERIALS TO MEET REQ. OF CRC 337 & CRC 704.
 - INSTALL ALL MATERIALS, FASTENERS, & COMPONENTS PER MANUFACTURER'S SPECIFICATIONS & RECOMMENDATIONS.
 - INSTALL ADDITIONAL BLOCKING AS NEEDED TO MEET ATTACHMENT REQUIREMENTS PER CRC TABLE R702.3.5
 - A PROJECT SITE WITHIN THE WILDLAND-URBAN INTERFACE FIRE AREA SHALL COMPLY WITH THE CRC SECTION R337. IF WUI APPROVED PRODUCTS ARE REQUIRED, PROVIDE SELECTED PRODUCT LISTINGS IN THE SPACES PROVIDED.

ROOF PLAN & RCP LEGEND

- XX'-X" CEILING HEIGHT (SEE PLAN FOR ACTUAL HEIGHTS)
- X : 12 ROOF SLOPE (REFER TO PLANS FOR ACTUAL SLOPE)
- X : 12 CEILING SLOPE (REFER TO PLANS FOR ACTUAL SLOPE)
- 22"X30" MIN. ATTIC ACCESS PANEL (WHERE REQ.)
- VENTING OPTION A RIDGE VENT, MARK WITH "X" IF NOT USED. SEE ROOF VENTING CALCS.
- VENTING OPTION A SOFFIT VENT, MARK WITH "X" IF NOT USED. SEE ROOF VENTING CALCS.
- ATTIC ROOF VENT OPTION B, MARK WITH "X" IF NOT USED. SEE ROOF VENTING CALCS.
- OUTLINE OF WALL BELOW
- GUTTER. CONNECT TO DOWNSPOUT; SEE DETAIL: 12/A-904
- APPROXIMATE LOCATION OF DOWNSPOUT/LEADER TO ROOF OR SPLASHBLOCK BELOW; SEE DETAILS:
- XX SF AVAILABLE SOLAR ZONE LOCATIONS. PV SYSTEM UNDER SEPERATE PERMIT. SEE TITLE 24 REPORT FOR MORE INFORMATION
- AREA OF ATTIC WITH 30" HEIGHT OR GREATER. 22" X 30" CLEAR OPENING ACCESS REQUIRED IF TOTAL AREA GREATER THAN 30 SQ. FT. PER CRC R807.1

ROOF VENTING CALCULATIONS

OWNER/APPLICANT TO SELECT ATTIC VENTING METHOD AND CROSS OUT OPTION NOT USED:

ATTIC	AREA	REQUIRED ATTIC VENTING (NFA)	UPPER VENTING REQUIRED (NFA)	LOWER VENTING REQUIRED (NFA)
ATTIC 1 - MODERN	125 SF	0.42 SF	0.21 SF	0.21 SF

OPTION A

RIDGE AND SOFFIT VENTS
VENTS SHALL MEET REQ. OF CRC R806 & CRC 337
NOTE: WHEN 1-HR FIRE RATING REQ. ON EAVES, OPTION A SHALL NOT BE USED. UPPER & LOWER VENTS (RECOMMENDED):
"UPPER VENTS PROVIDED" = (TOTAL ATTIC AREA/300) * (0.5) / (0.35 SF)
VULCAN 120" CONTINUOUS RIDGE VENT - SEE DETAIL: 34/A-922
FINISH TO MATCH ROOF
50.0 SQ. IN. OF AIR MOVEMENT PER VENT = 50.0 SQ. IN. / 144 = 0.35 SF
"LOWER VENTS PROVIDED" = (TOTAL ATTIC AREA/300) * (0.5) / (0.35 SF)
VULCAN VER2M 2" ROUND MESH FACE FIRE VENT - SEE DETAIL 43/A-922
50.0 SQ. IN. OF AIR MOVEMENT PER VENT = 50.0 SQ. IN. / 144 = 0.35 SF
USE EAVE DETAIL: 21/A-922

VENT TYPE	COUNT	VENT LENGTH	NET FREE AREA PER VENT	PROVIDED NET FREE AREA
HIGH Vulcan Ridge Vent - High	1	0' - 3 1/2"	0.35 SF	0.35 SF
LOWER (3) 3" HOLES (LOWER)	6	0' - 3 1/2"	0.05 SF	0.30 SF

OPTION B

UPPER AND LOWER DORMER VENTS
VENTS SHALL MEET REQ. OF CRC R806 & CRC 337
UPPER & LOWER VENTS (RECOMMENDED):
VULCAN VENT VDLR419 13" X 19" - SEE DETAIL: 44/A-922
52.0 SQ. IN. OF AIR MOVEMENT PER VENT = 52.0 SQ. IN. / 144 = 0.36 SF
"UPPER VENTS PROVIDED" = (TOTAL ATTIC AREA/300) * (0.5) / (0.36 SF)
"LOWER VENTS PROVIDED" = (TOTAL ATTIC AREA/300) * (0.5) / (0.36 SF)
USE EAVE DETAIL: 11/A-923

VENT TYPE	COUNT	VENT LENGTH	NET FREE AREA PER VENT	PROVIDED NET FREE AREA
HIGH Vulcan Roof Vent - High	1	1' - 2"	0.36 SF	0.36 SF
LOW Vulcan Roof Vent - Low	1	1' - 2"	0.36 SF	0.36 SF



THESE PLANS ARE PROVIDED BY THE COUNTY OF SAN LUIS OBISPO AS PART OF THE PRE-APPROVED ADU PROGRAM AND ARE PUBLIC DOMAIN. THERE CANNOT BE A CHARGE TO PROVIDE THESE PLANS. NO ALTERATIONS TO THESE PLANS ARE ALLOWED. ALL PERMITS ONCE THE BUILDING PERMIT FOR THE ADU HAS BEEN ISSUED AND FINAL INSPECTION COMPLETED, IF YOU DO NOT HAVE THE CONSTRUCTION KNOWLEDGE AND EXPERIENCE TO CONSTRUCT THESE PLANS WITHOUT FURTHER DETAILS, IT IS RECOMMENDED YOU HIRE A CONTRACTOR TO DO THE CONSTRUCTION. THE CITY WILL NOT PROVIDE FURTHER INFORMATION OR DETAILS AND BUILDING INSPECTORS WILL NOT PROVIDE STEP BY STEP INSTRUCTIONS IN THE FIELD.

COUNTY OF SAN LUIS OBISPO
ACCESSORY DWELLING UNIT
SAN LUIS OBISPO, CA
ROOF PLAN & REFLECTED
CEILING PLAN

DATE
11/28/2023
SHEET
A5-122



THESE PLANS ARE PROVIDED BY THE COUNTY OF SAN LUIS OBISPO AS PART OF THE PRE-APPROVED ADU PROGRAM AND ARE PUBLIC DOMAIN. THERE CANNOT BE A CHARGE TO PROVIDE THESE PLANS. NO ALTERATIONS TO THESE PLANS ARE ALLOWED. ALL ALTERATIONS MUST BE DONE UNDER A SEPARATE PERMIT ONCE THE BUILDING PERMIT FOR THE ADU HAS BEEN ISSUED AND FINAL INSPECTION COMPLETED. IF YOU DO NOT HAVE THE CONSTRUCTION KNOWLEDGE AND EXPERIENCE TO CONTRIBUTE THESE PLANS WITHOUT FURTHER DETAILS, IT IS RECOMMENDED YOU HIRE A CONTRACTOR TO DO THE CONSTRUCTION. THE CITY WILL NOT PROVIDE FURTHER INFORMATION OR DETAILS AND BUILDING INSPECTORS WILL NOT PROVIDE STEP BY STEP INSTRUCTIONS IN THE FIELD.

GENERAL ELEVATION NOTES

- REFER TO GENERAL NOTES SHEET G-102 FOR ADDITIONAL REQUIREMENTS
- SEE DETAILS FOR ADDITIONAL INFORMATION AND REQUIREMENTS.
- REFER TO ROOF PLAN FOR OVERHANGS, FASCIA PER DETAILS. PROVIDE ALUMINUM GUTTER. SEE ROOF PLAN FOR APPROXIMATE DOWNSPOUT LOCATIONS. U.N.G.O.
- REFER TO DOOR AND WINDOW SCHEDULES AND TYPES FOR DOOR AND WINDOW INFORMATION.
- THE NOMINAL THICKNESS AND ATTACHMENT OF EXTERIOR WALL COVERINGS SHALL BE IN ACCORDANCE WITH CRC TABLE R703.3(1).
- GYP-SUM SHEATHING SHALL BE ATTACHED TO EXTERIOR WALLS IN ACCORDANCE WITH CRC TABLE R602.3.

SECTIONS GENERAL NOTES

- THE PURPOSE OF THESE DRAWINGS IS TO SHOW CONSTRUCTION MATERIALS/ASSEMBLIES. FOR SPECIFIC SIZES AND DETAILS REFER TO ARCHITECTURAL PLANS, ELEVATIONS, DETAILS, AND STRUCTURAL PLANS. *KEYNOTES ONLY APPLY IF REFERENCED ON PLANS.
 - WALL ASSEMBLIES TO BE PER FLOOR PLAN.
 - DOORS AND WINDOWS TO BE PER APPLICABLE SCHEDULE. REFER TO FLOOR PLANS FOR IDENTIFICATION.
 - INSULATION: REFER TO TITLE 24 REPORT AND "INSULATION" NOTES ON SHEET FOR ADDITIONAL RATINGS, REQUIREMENTS, AND INFORMATION.
 - FIREBLOCKING TO BE LOCATED AT THE FOLLOWING LOCATIONS PER 2022 CRC SECTION R302.11:
 - SECTION R302.11.1 - FIREBLOCKING SHALL BE PROVIDED IN CONCEALED SPACES OF STUD WALLS AND PARTITIONS, INCLUDING FURRED SPACES AND PARALLEL ROWS OF STUDS OR STAGGERED STUDS, AS FOLLOWS:
 - VERTICALLY AT CEILING AND FLOOR LEVELS
 - HORIZONTALLY AT INTERVALS NOT EXCEEDING 10 FEET.
 - AT INTERCONNECTIONS BETWEEN CONCEALED VERTICAL AND HORIZONTAL SPACES SUCH AS SOFFITS, DROP CEILING AND COVE CEILINGS
 - IN CONCEALED SPACES BETWEEN STAIR STRINGERS AT THE TOP AND BOTTOM OF THE RUN. ENCLOSED SPACES UNDER STAIRS SHALL COMPLY WITH SECTION R302.7.
 - AT OPENINGS AROUND VENTS, PIPES, DUCTS, CABLES AND WIRES AT CEILINGS AND FLOOR LEVEL. WITH AN APPROVED MATERIAL TO RESIST THE FREE PASSAGE OF FLAME PRODUCTS OF COMBUSTION. THE MATERIAL FILLING THIS ANNULAR SPACE SHALL NOT BE REQUIRED TO MEET THE ASTM E136 REQUIREMENTS.
 - FOR THE FIREBLOCKING OF CHIMNEYS AND FIREPLACES, SEE SECTION R1002.19
 - FIREBLOCKING OF CORNICES OF A TWO-FAMILY DWELLING IS REQUIRED AT THE LINE OF DWELLING-UNIT SEPARATION.
- A. SECTION R302.11.1 - FIREBLOCKING MATERIALS SHALL CONSIST OF FOLLOWING MATERIALS:
- TWO-INCH NOMINAL LUMBER
 - TWO THICKNESSES OF ONE-INCH NOMINAL LUMBER WITH BROKEN LAP JOINTS
 - THE THICKNESS OF 0.719-INCH WOOD STRUCTURAL PANELS WITH JOINTS BACKED BY 0.719-INCH WOOD STRUCTURAL PANELS
 - THE THICKNESS OF 0.75-INCH PARTICULATE BOARD WITH JOINTS BACKED BY 0.75-INCH PARTICULATE BOARD
 - ONE-HALF-INCH GYPSUM BOARD
 - ONE-FOURTH-INCH CEMENT-BASED MILLBOARD
 - BATTS OR BLANKETS OF MINERAL WOOL, MINERAL FIBER OR OTHER APPROVED MATERIAL, INSTALLED IN SUCH A MANNER AS TO BE SECURELY RETAINED IN PLACE.
 - CELLULOSE INSULATION INSTALLED AS TESTED IN ACCORDANCE WITH ASTM E119 OR UL 263, FOR THE SPECIFIC APPLICATION.
4. PER 2022 CRC SECTION R317 SLEEPERS AND SILLS ON A CONCRETE OR MASONRY SLAB THAT IS IN DIRECT CONTACT WITH GROUND, UNLESS SEPARATED BY AN IMPERVIOUS MOISTURE BARRIER SHALL BE NATURALLY DURABLE OR PRESERVATIVE-TREATED WOOD IN ACCORDANCE WITH AWPA U1.

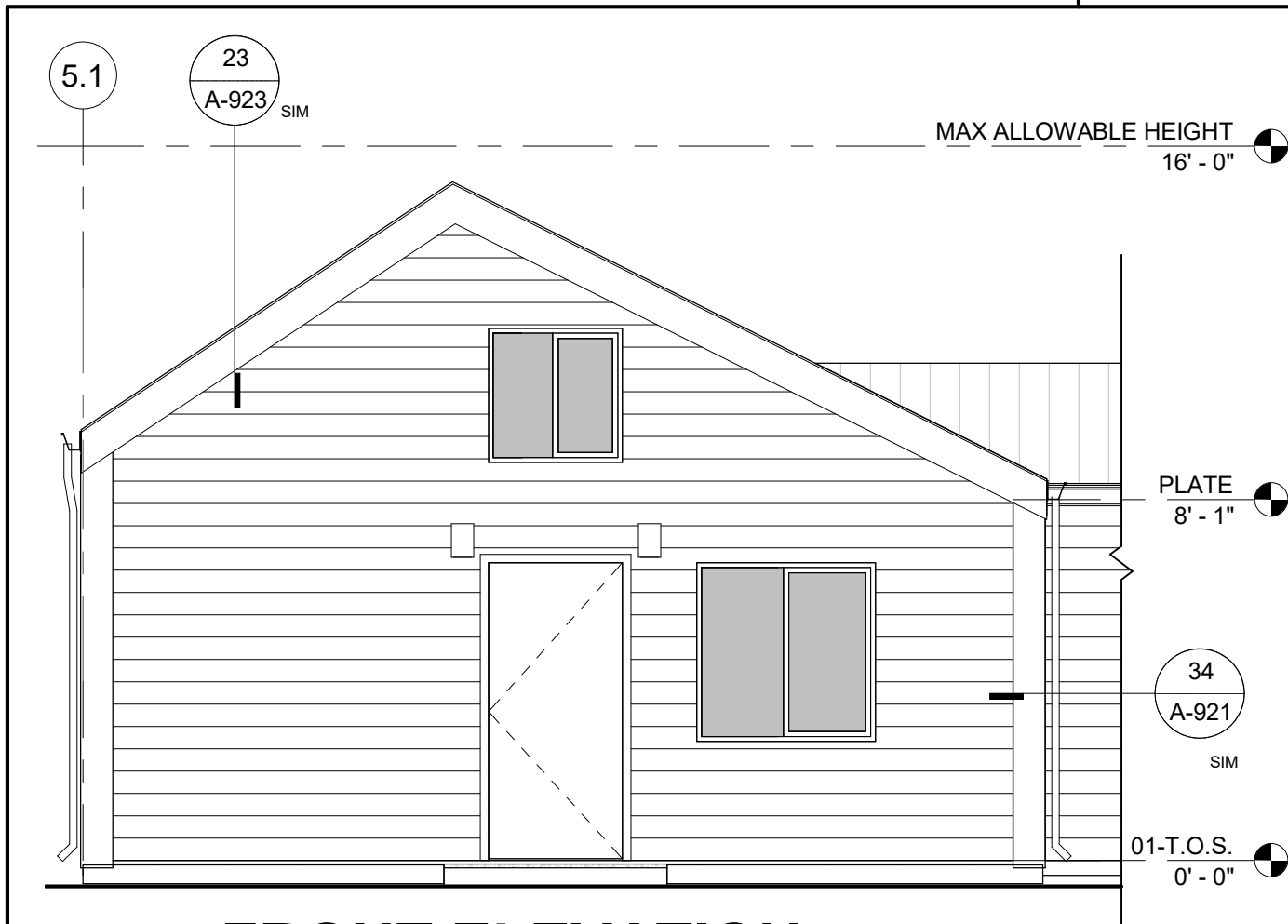
KEYNOTES

- B18 ELECTRIC PANEL, 100AMP 240V.
- B38 MULTI-ZONE HEAT PUMP CONDENSER UNIT. REFER TO PLANS FOR LOCATION OF INDOOR FAN COIL UNITS. REFER TO TITLE 24 FOR ADDITIONAL INFORMATION. PROVIDE CONCRETE PAD MIN. 6" LARGER THAN UNIT IN EACH DIRECTION, 3" MIN. ABOVE GRADE.
- C18 INTERIOR SOFFIT GUARD (PER CRC AQ104.3). ONE HALF OF THE CLEAR HEIGHT TO THE CEILING OR 36" MIN. U.N.O. SEE LOFT GUARD DETAIL 42 ON SHEET A-906 FOR MORE INFORMATION.
- C31 LOFT ACCESS LADDER (PER CRC AQ104.2.2). SEE DETAILS FOR MORE INFORMATION.
- H05 ROOF EDGE/FASCIA. SEE DETAILS FOR FASCIA TYPE.
- H14 BIRD HOLES SOFFIT VENT (LOW). ATTIC VENTING OPTION A. SEE DETAILS FOR MORE INFORMATION. STRIKE THROUGH IF NOT USED. SEE VENTING CALCS.
- H18 DORMER VENT (LOW). ATTIC VENTING OPTION B. PAINT OR FINISH TO MATCH ROOF COLOR. STRIKE THROUGH IF NOT USED. SEE VENTING CALCS.
- H19 DORMER VENT (HIGH). ATTIC VENTING OPTION B. PAINT OR FINISH TO MATCH ROOF COLOR. STRIKE THROUGH IF NOT USED. SEE VENTING CALCS.
- H20 RIDGE VENT (HIGH). ATTIC VENTING OPTION A. SEE DETAILS FOR MORE INFORMATION. STRIKE THROUGH IF NOT USED. SEE VENTING CALCS.
- K02 EXTERIOR GRADE WOOD SIDING. SEE TITLE SHEET & MATERIALS LEGEND FOR SELECTIONS & MORE INFO.
- K03 EXTERIOR WALL COVERING. SEE TITLE SHEET & MATERIALS LEGEND FOR SELECTIONS & MORE INFO.
- K05 COMPOSITE ROOF SHINGLES. SEE MATERIALS LEGEND FOR MORE INFO.
- K07 EXTERIOR WALL COVERING. SEE TITLE SHEET & MATERIALS LEGEND FOR SELECTIONS & MORE INFO.
- K08 METAL ROOF. SEE MATERIALS LEGEND FOR MORE INFO.
- K09 EXTERIOR WALL COVERING. SEE TITLE SHEET & MATERIALS LEGEND FOR SELECTIONS & MORE INFO.
- K10 SOFFIT, SEE REFLECTED CEILING PLAN AND RCP MATERIALS LEGEND FOR MORE INFO.
- K12 EXTERIOR WALL COVERING. SEE TITLE SHEET & MATERIALS LEGEND FOR SELECTIONS & MORE INFO.
- L19 LIGHT FIXTURE LOCATION, SEE DETAILS & ELECTRIC PLAN FOR MORE INFO.
- L20 BUILDING SHALL HAVE ADDRESS NUMBERS PLACED IN A POSITION THAT IS PLAINLY LEGIBLE AND VISIBLE FROM STREET, MINIMUM OF 4" HIGH WITH A MIN. STROKE OF 1/2" (EXACT LOCATION PER OWNER/APPLICANT).
- M01 GUTTER. CONNECT TO DOWNSPOUT. PROVIDE MEANS TO PREVENT ACCUMULATION OF LEAVES AND DEBRIS IN GUTTER PER CRC R337.5.4
- M02 DOWNSPOUT. CONNECT TO STORM DRAIN SYSTEM OR APPROVED DRAINAGE SYSTEM BY COUNTY.
- S03 ROOF INSULATION. R-38 MIN.
- S04 2X6 WALL INSULATION. R-19 MIN.
- S05 SPRAY FOAM INSULATION. SEE "ROOF INSULATION NOTES" ON ROOF PLAN.
- U11 WOOD BEAM / HEADER. REFER TO STRUCTURAL.
- U13 FAUX OUTRIGGER. SEE STRUCTURAL AND DETAILS FOR MORE INFORMATION.

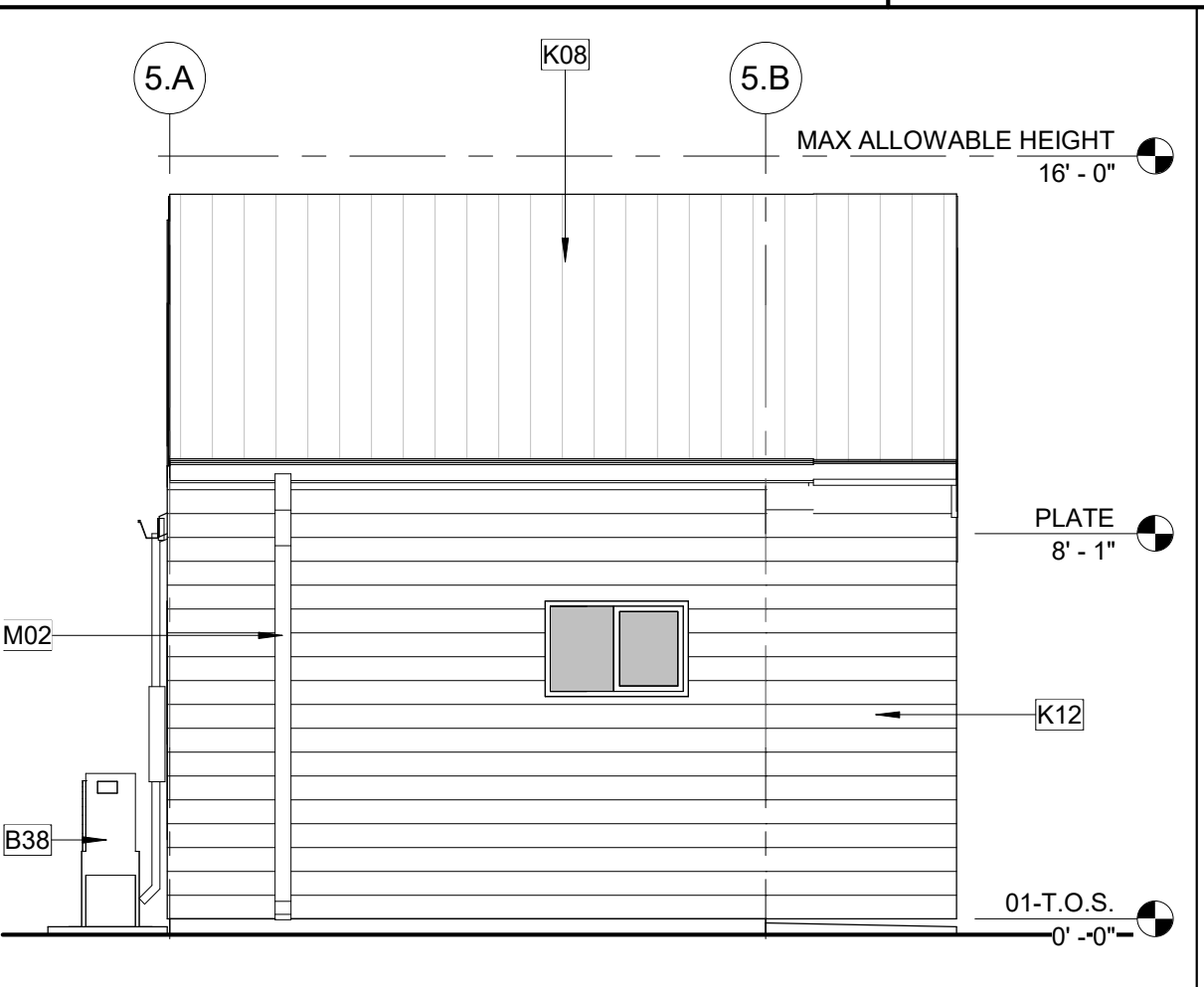
COUNTY OF SAN LUIS OBISPO
ACCESSORY DWELLING UNIT
SAN LUIS OBISPO, CA
ELEVATIONS & BUILDING SECTIONS

DATE
11/28/2023
SHEET

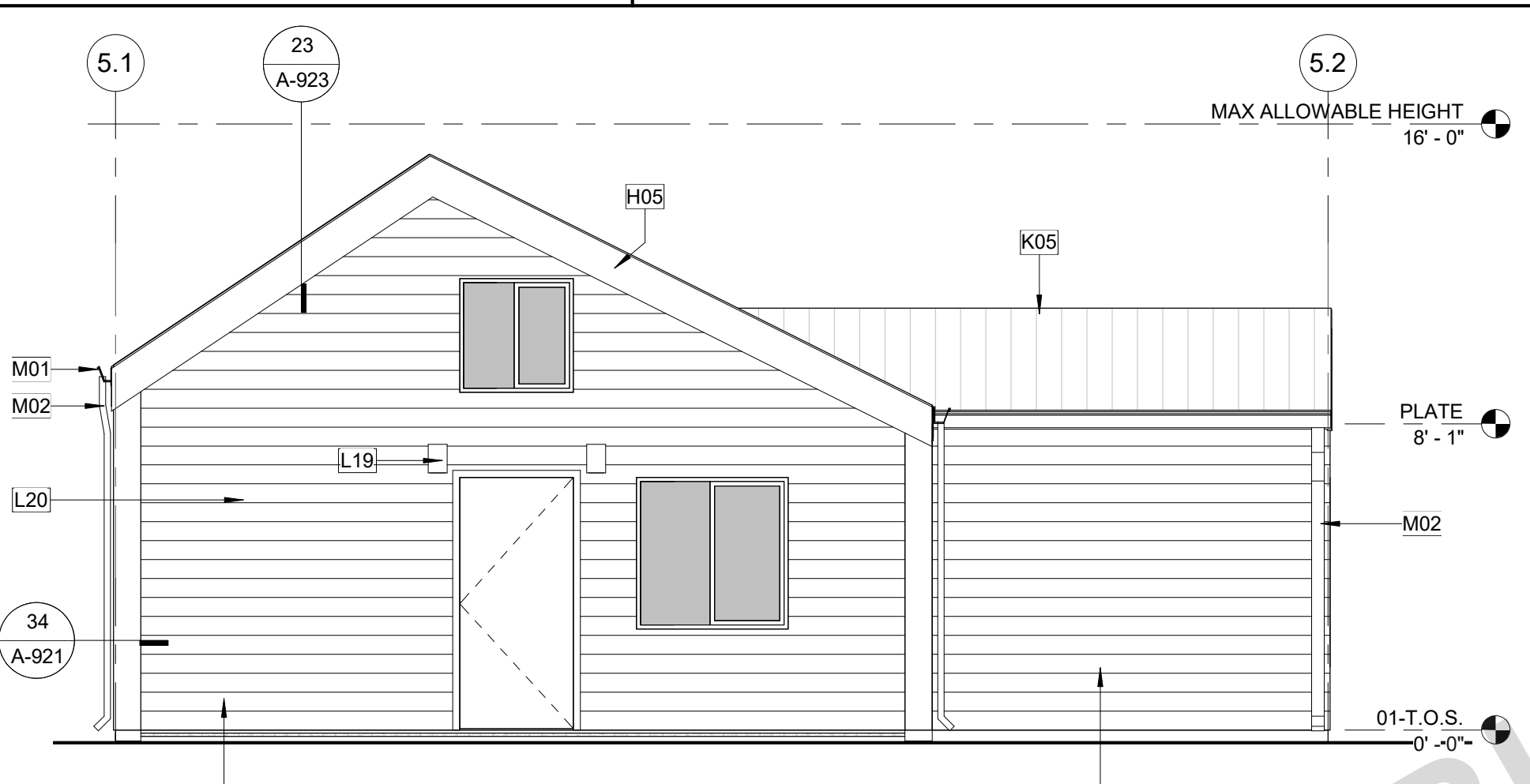
A5-202



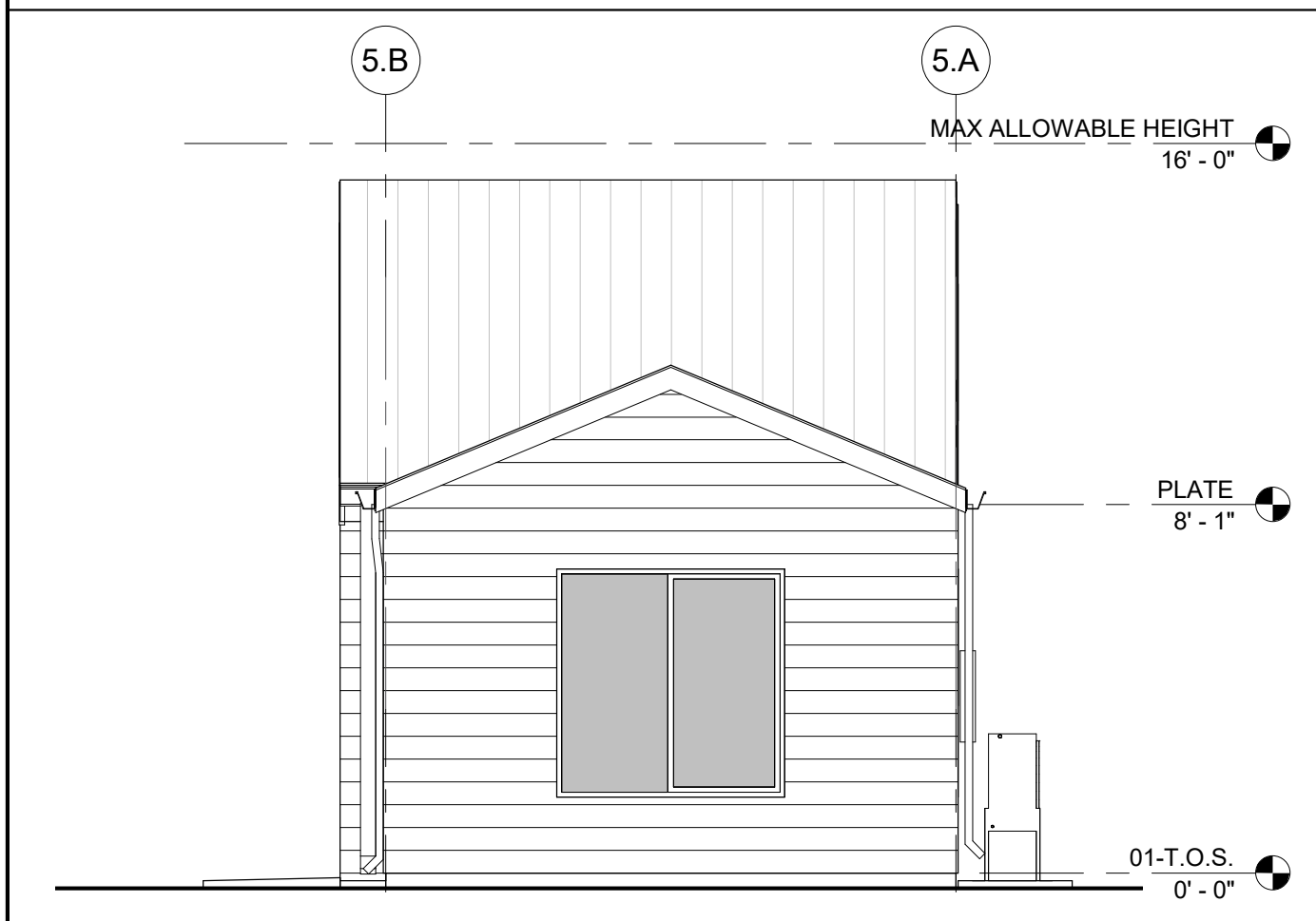
3 FRONT ELEVATION
FRONT NO PORCH OPTION
A5-102 | A5-202 SCALE: 1/4" = 1'-0"



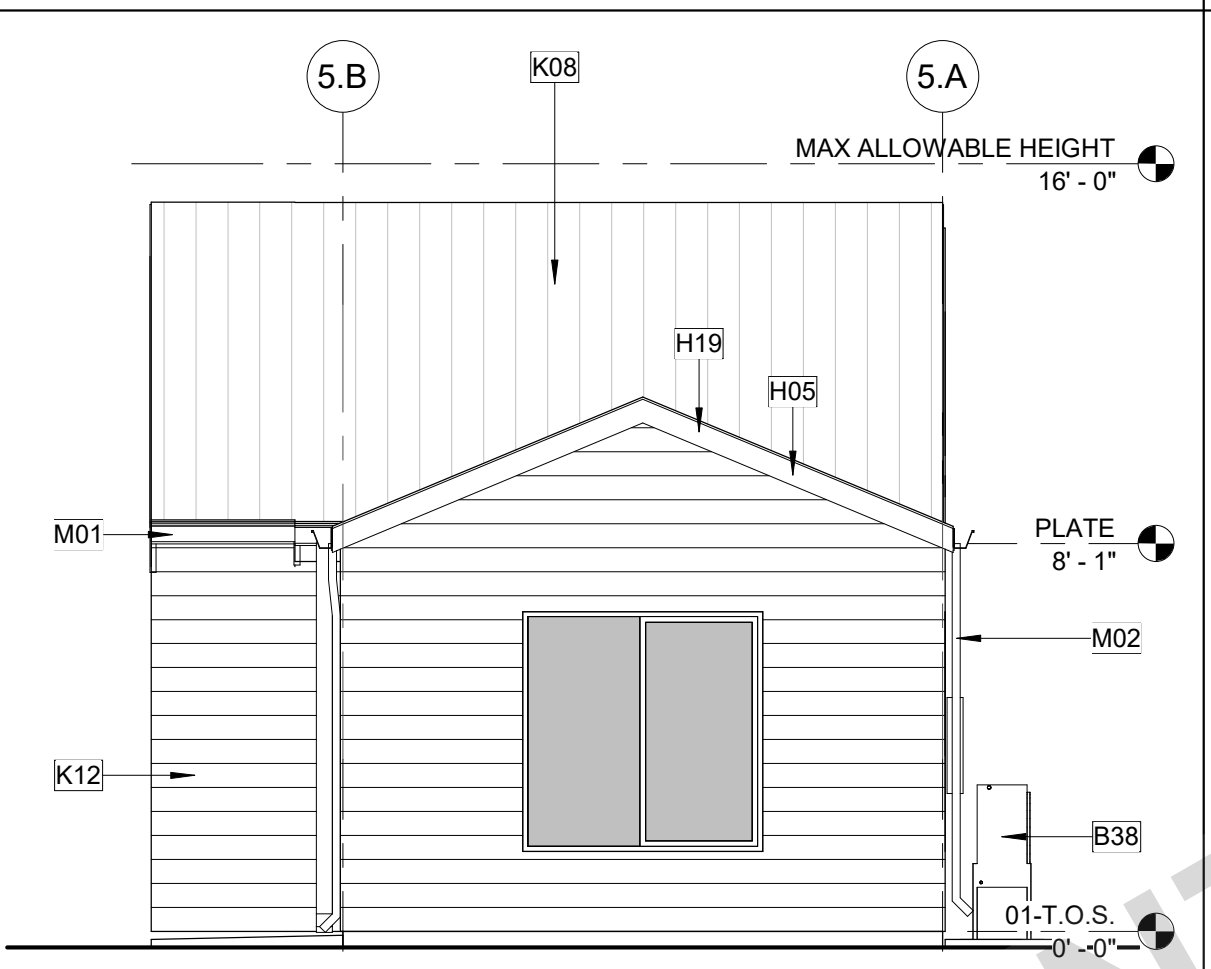
2 LEFT ELEVATION
A5-102 | A5-202 SCALE: 1/4" = 1'-0"



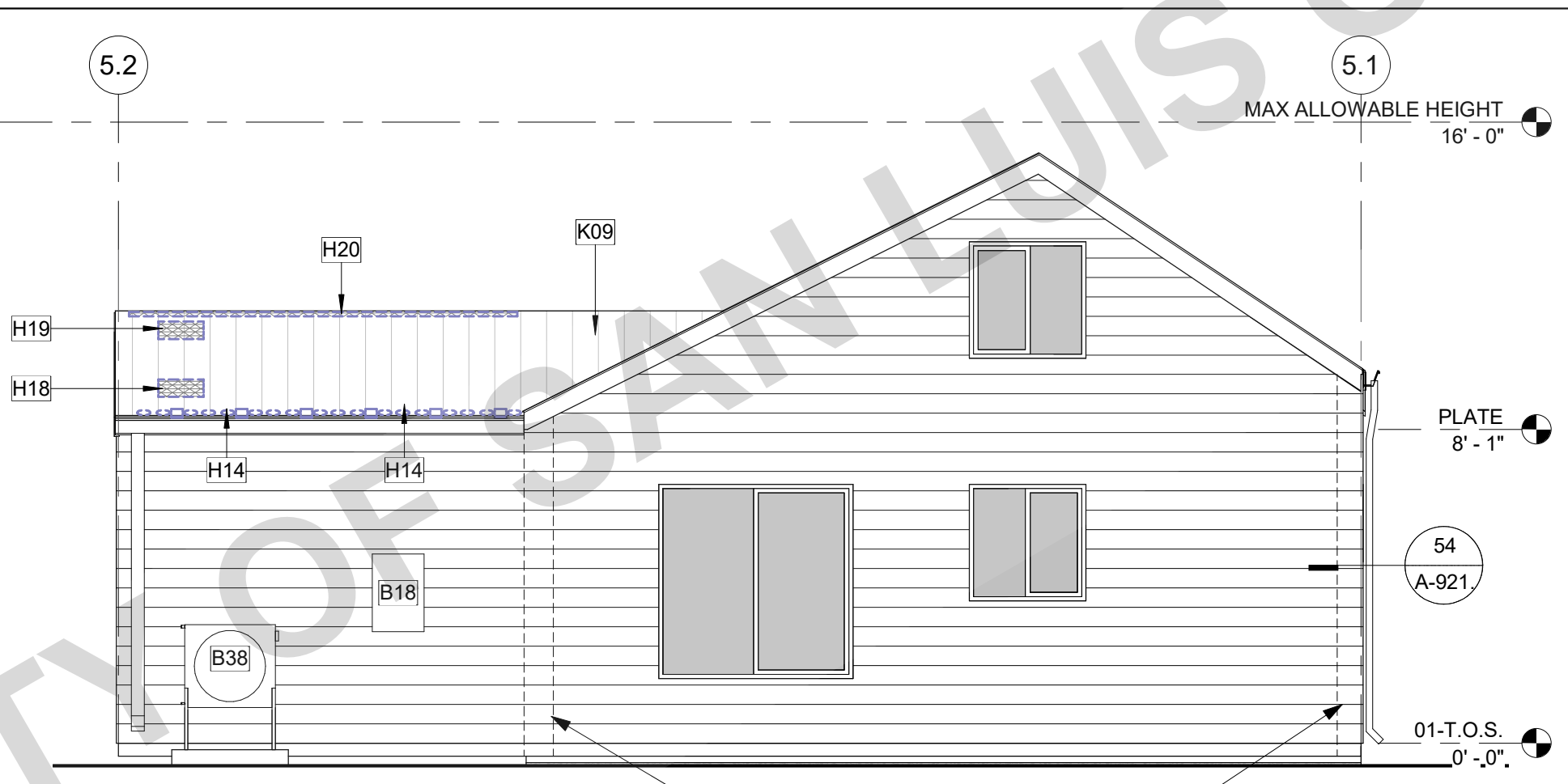
1 FRONT ELEVATION
A5-102 | A5-202 SCALE: 1/4" = 1'-0"



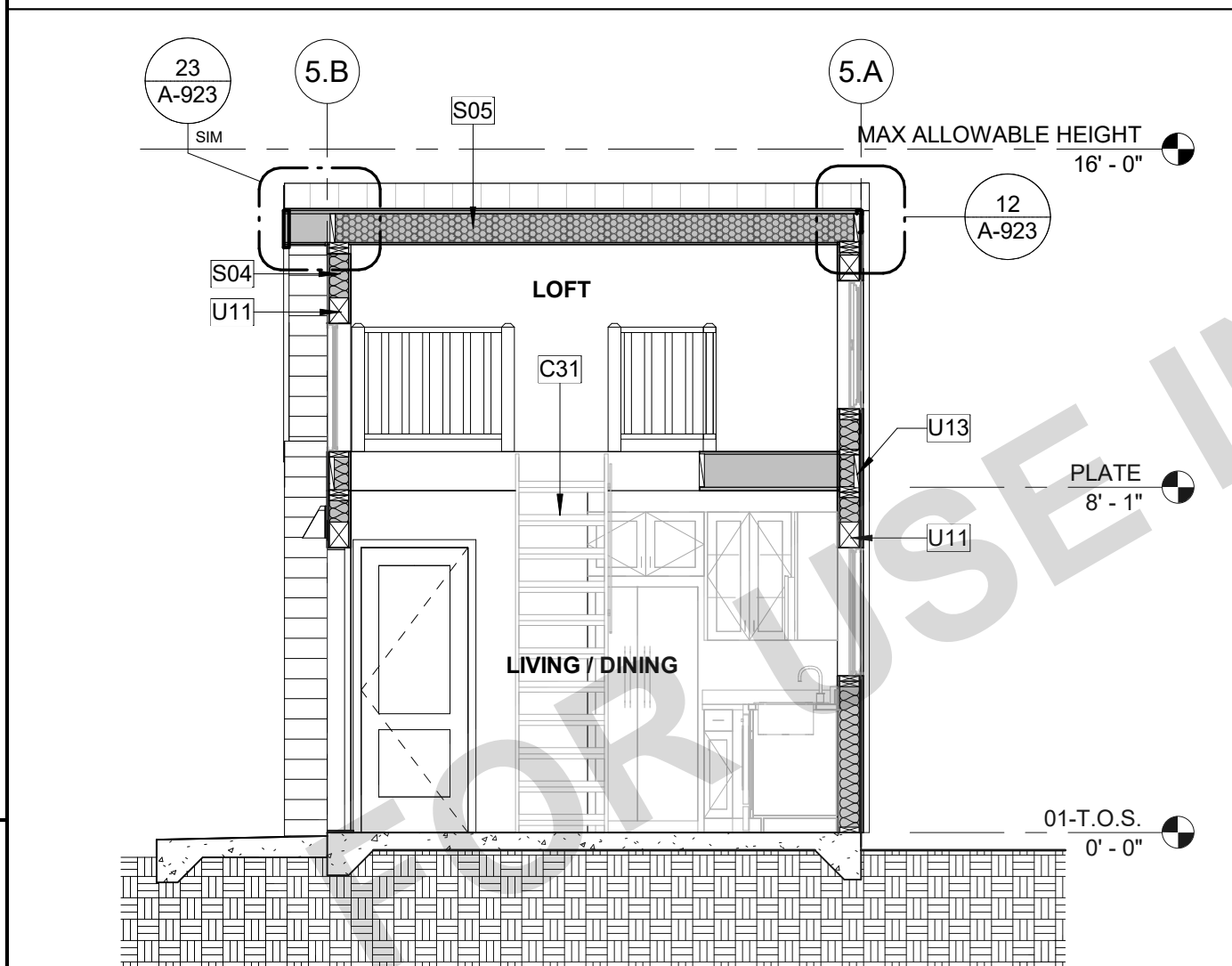
6 NO FRONT PORCH OPTION
A5-101 | A5-202 SCALE: 1/4" = 1'-0"



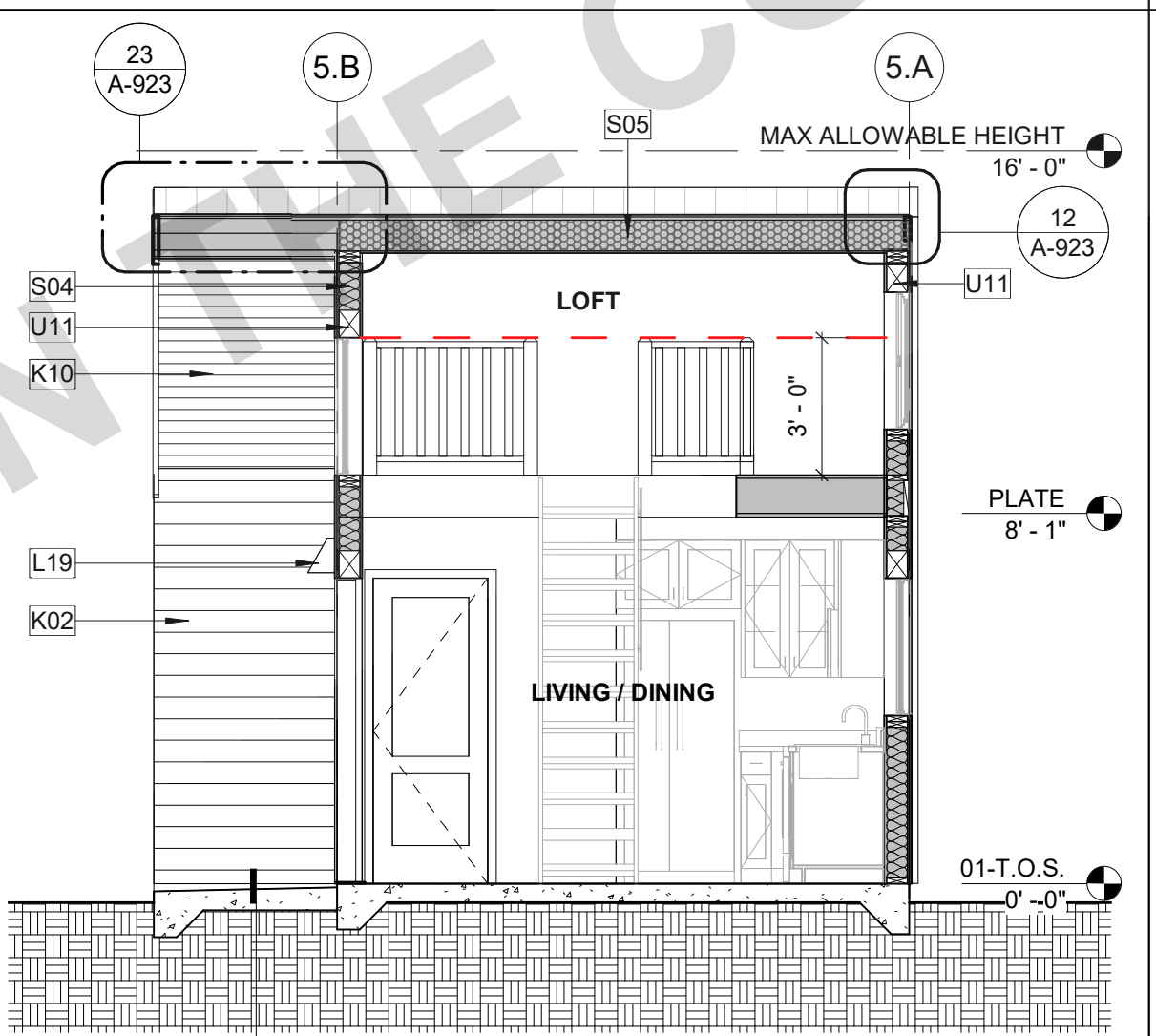
5 RIGHT ELEVATION
A5-102 | A5-202 SCALE: 1/4" = 1'-0"



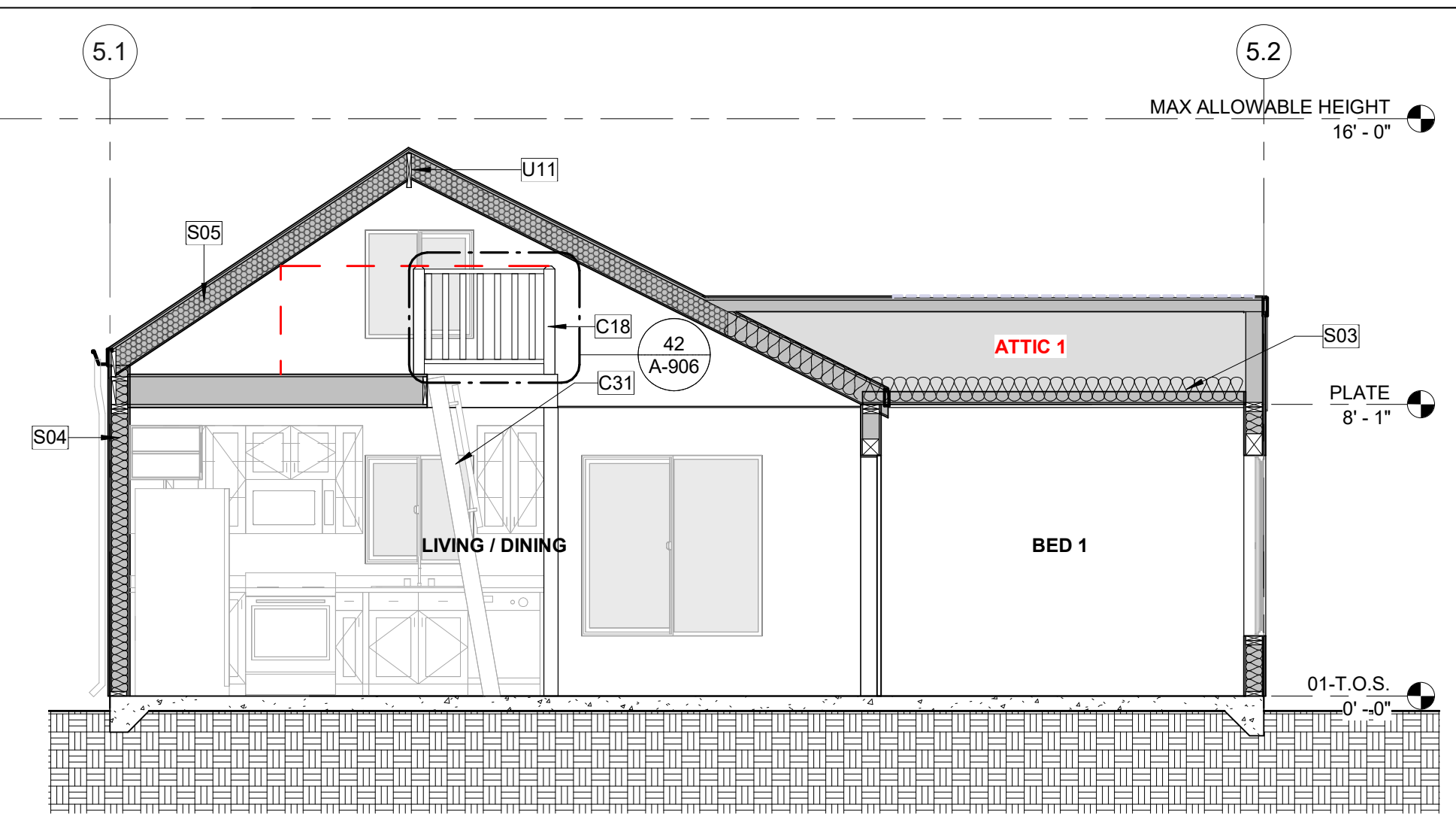
4 REAR ELEVATION
A5-102 | A5-202 SCALE: 1/4" = 1'-0"



9 SECTION 02
NO FRONT PORCH OPTION
A5-102 | A5-202 SCALE: 1/4" = 1'-0"



8 SECTION 02
A5-102 | A5-202 SCALE: 1/4" = 1'-0"



7 SECTION 01
A5-102 | A5-202 SCALE: 1/4" = 1'-0"

MATERIALS LEGEND MODERN

- COLOR SCHEMES AND FINISH OF PRODUCT SELECTIONS RECOMMENDED TO MATCH PRIMARY RESIDENCE. INSTALL ALL MATERIAL SELECTIONS PER MANUFACTURER'S RECOMMENDATIONS.
- A PROJECT SITE WITHIN THE WILDLAND-URBAN INTERFACE FIRE AREA SHALL COMPLY WITH THE CRC SECTION R337. IF WUI APPROVED PRODUCTS ARE REQUIRED, PROVIDE SELECTED PRODUCT LISTINGS IN THE SPACES PROVIDED. WHEN NOT REQUIRED, WRITE "NOT APPLICABLE."
- APPROVED PRODUCT LISTINGS CAN BE FOUND IN THE (CURRENT) CAL-FIRE STATE FIRE MARSHAL LISTED WILDLAND URBAN INTERFACE WUI PRODUCT HANDBOOK.
- IF PROJECT SITE REQUIRES WUI COMPLIANCE, IN THE CASE THAT PRODUCT SELECTIONS ARE NOT BML LISTED, NOR IN THE HANDBOOK, MATERIALS SHALL COMPLY WITH THE PRESCRIPTIVE STANDARDS OF CHAPTER 7A.

GRAPHICS LEGEND:

- E) FIBER CEMENT HORIZONTAL LAP SIDING (SHALL MEET ALL REQ. OF CRC 337 & CRC R703.10.2)
- F) EXT. GRADE WOOD HORIZONTAL LAP SIDING (SHALL MEET ALL REQ. OF CRC 337 & CRC R703.5.3)
- G) EXT. GRADE WOOD PANEL SIDING (SHALL MEET ALL REQ. OF CRC 337 & CRC R703.5.2)

OWNER/APP. TO PROVIDE MANUFACTURER, COLOR/FINISH SPECIFICATIONS, & WUI (WHEN REQ.) PRODUCT LISTINGS:

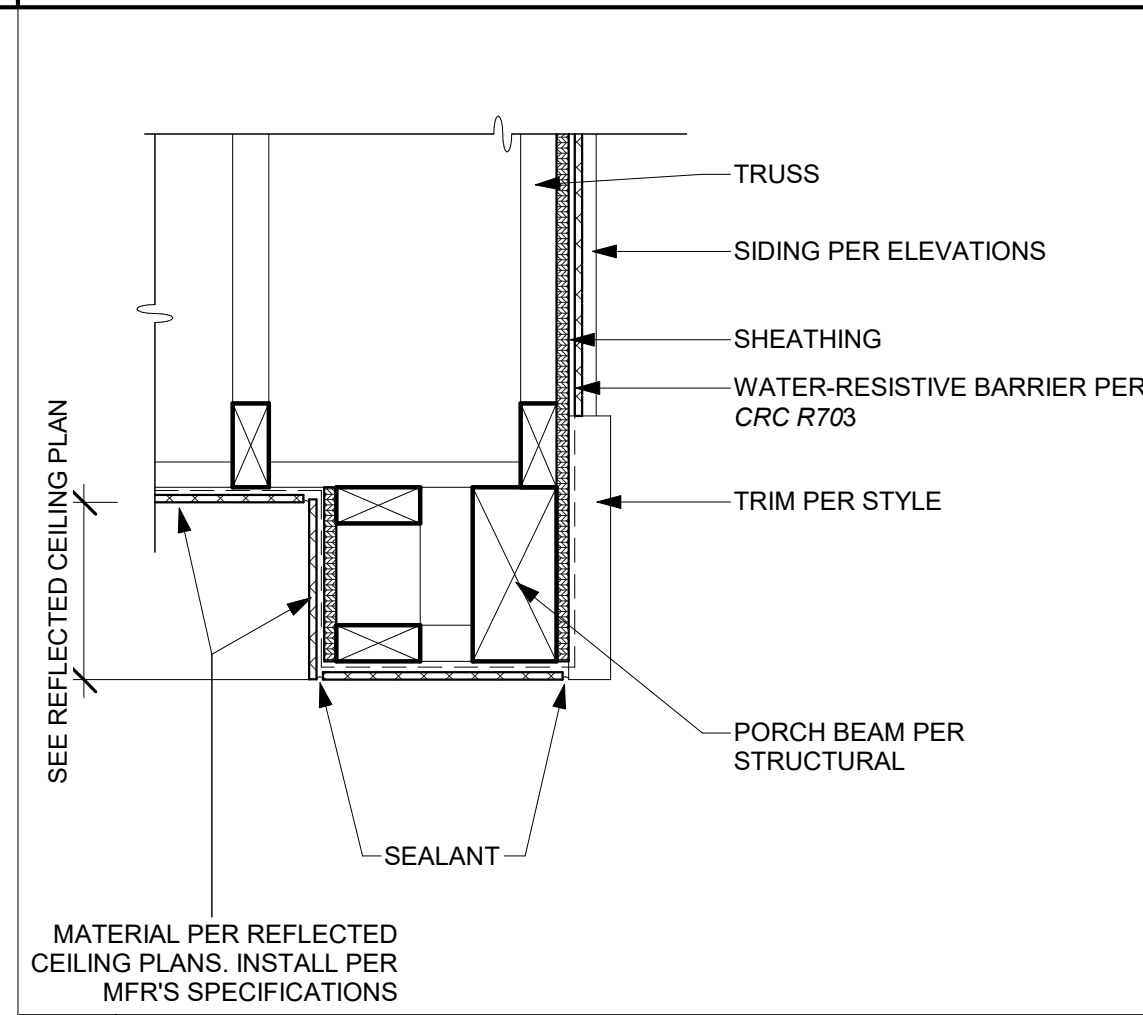
GRAPHICS LEGEND:

- STANDING SEAM METAL ROOF CLASS-A ROOF ASSEMBLY REQ. PER WUI: YES NO
- ROOF COVERING SHALL COMPLY WITH ALL REQ. OF CRC 337 & CRC R905.10 METAL ROOF PANELS.
- SEE REFERENCE DETAILS ON SHEE A-941.

OWNER/APP. TO PROVIDE MANUFACTURER, COLOR/FINISH SPECIFICATIONS, & WUI (WHEN REQ.) PRODUCT LISTINGS:



THESE PLANS ARE PROVIDED BY THE COUNTY OF SAN LUIS OBISPO AS PART OF THE PRE-APPROVED ADU PROGRAM AND ARE PUBLIC DOMAIN. THERE CANNOT BE A CHARGE TO PROVIDE THESE PLANS. NO ALTERATIONS TO THESE PLANS ARE ALLOWED. ALL ALTERATIONS MUST BE DONE UNDER A SEPARATE PERMIT ONCE THE BUILDING PERMIT FOR THE ADU HAS BEEN ISSUED AND FINAL INSPECTION COMPLETED. IF YOU DO NOT HAVE THE CONSTRUCTION KNOWLEDGE AND EXPERIENCE TO CONSTRUCT THESE PLANS WITHOUT FURTHER DETAILS, IT IS RECOMMENDED YOU HIRE A CONTRACTOR TO DO THE CONSTRUCTION. THE CITY WILL NOT PROVIDE FURTHER INFORMATION OR DETAILS AND BUILDING INSPECTORS WILL NOT PROVIDE STEP BY STEP INSTRUCTIONS IN THE FIELD.



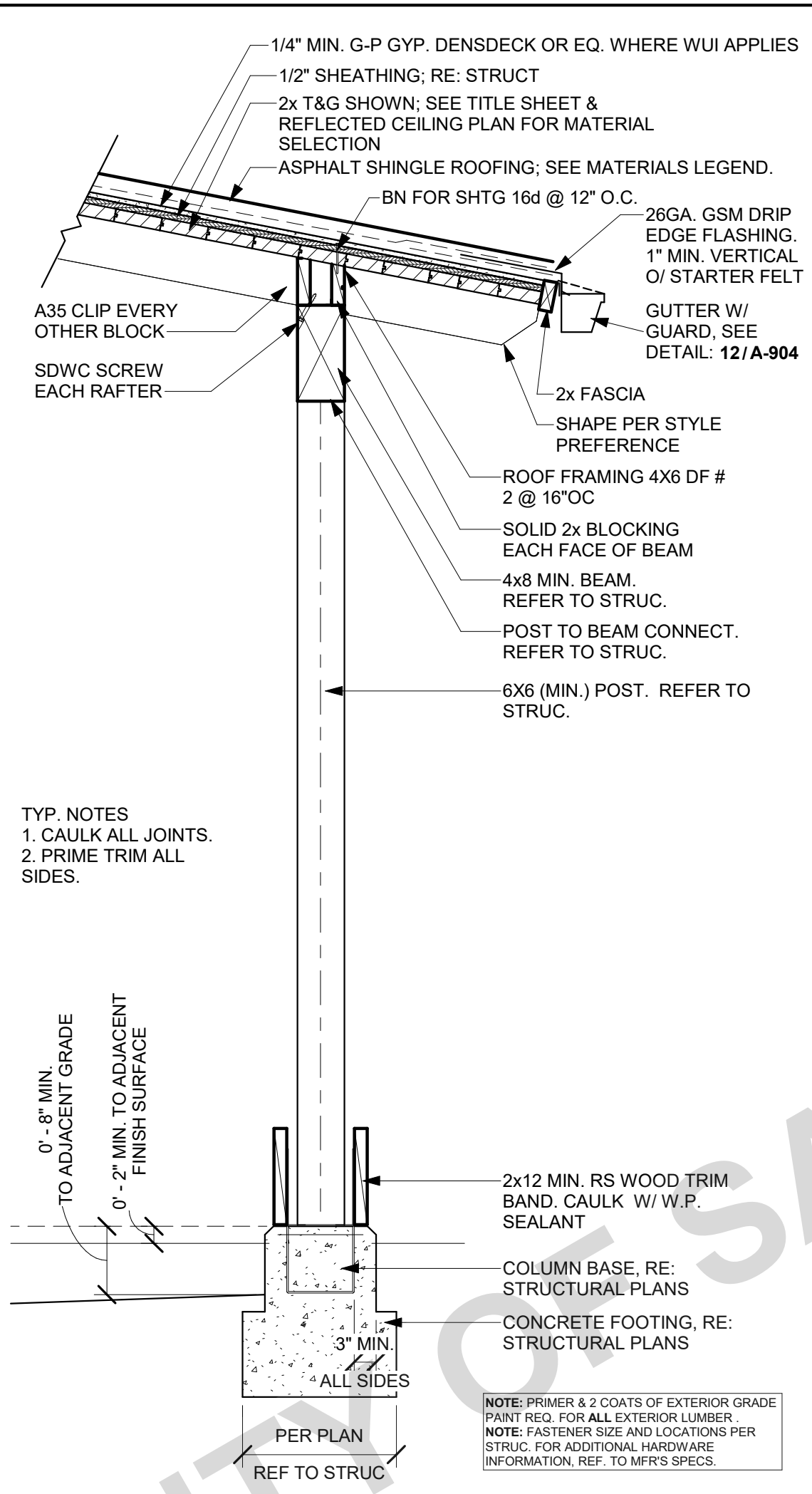
41 TYP. PORCH BEAM
SCALE: 1/2" = 1'-0"

MATERIAL PER REFLECTED CEILING PLANS. INSTALL PER MFR'S SPECIFICATIONS

41 TYP. PORCH BEAM

SCALE: 1/2" = 1'-0"

TYP. NOTES
1. CAULK ALL JOINTS.
2. PRIME TRIM ALL SIDES.



32 TYP. POST W/ ROOF @ PORCHES
SCALE: 3/4" = 1'-0"

1/4" MIN. G-P GYP. DENSDECK OR EQ. WHERE WUI APPLIES
1/2" SHEATHING; RE: STRUCT
2x T&G SHOWN; SEE TITLE SHEET & REFLECTED CEILING PLAN FOR MATERIAL SELECTION
ASPHALT SHINGLE ROOFING; SEE MATERIALS LEGEND.
BN FOR SHTG 18d @ 12" O.C.
26GA. GSM DRIP EDGE FLASHING. 1" MIN. VERTICAL O/ STARTER FELT
GUTTER W/ GUARD. SEE DETAIL: 12/A-904
2x FASCIA
SHAPE PER STYLE PREFERENCE
ROOF FRAMING 4X6 DF # 2 @ 16"OC
SOLID 2x BLOCKING EACH FACE OF BEAM
4x8 MIN. BEAM. REFER TO STRUC.
POST TO BEAM CONNECT. REFER TO STRUC.
6X6 (MIN.) POST. REFER TO STRUC.

A35 CLIP EVERY OTHER BLOCK
SDWC SCREW EACH RAFTER

2x12 MIN. RS WOOD TRIM BAND. CAULK W/ W.P. SEALANT

COLUMN BASE, RE: STRUCTURAL PLANS
CONCRETE FOOTING, RE: STRUCTURAL PLANS

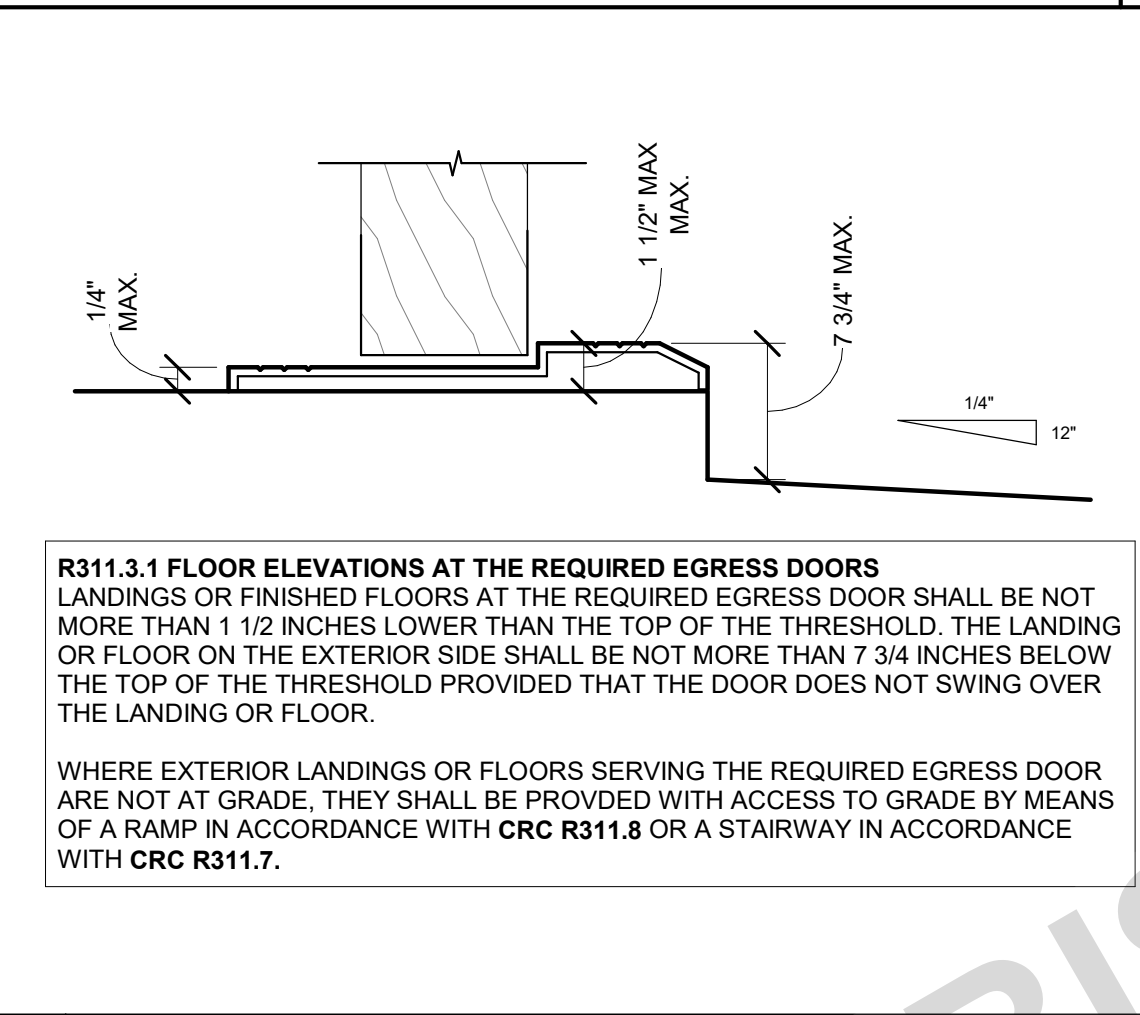
3" MIN. ALL SIDES

NOTE: PRIMER & 2 COATS OF EXTERIOR GRADE PAINT REQ. FOR ALL EXTERIOR LUMBER.
NOTE: FASTENER SIZE AND LOCATIONS PER STRUC. FOR ADDITIONAL HARDWARE INFORMATION, REF. TO MFR'S SPECS.

TYP. NOTES
1. CAULK ALL JOINTS.
2. PRIME TRIM ALL SIDES.

0'-8" MIN. TO ADJACENT GRADE
0'-2" MIN. TO ADJACENT FINISH SURFACE

PER PLAN REF TO STRUC.



21 EXTERIOR DOOR THRESHOLD - TYPICAL
SCALE: 6" = 1'-0"

R311.3.1 FLOOR ELEVATIONS AT THE REQUIRED EGRESS DOORS
LANDINGS OR FINISHED FLOORS AT THE REQUIRED EGRESS DOOR SHALL BE NOT MORE THAN 1 1/2 INCHES LOWER THAN THE TOP OF THE THRESHOLD. THE LANDING OR FLOOR ON THE EXTERIOR SIDE SHALL BE NOT MORE THAN 7 3/4 INCHES BELOW THE TOP OF THE THRESHOLD PROVIDED THAT THE DOOR DOES NOT SWING OVER THE LANDING OR FLOOR.

WHERE EXTERIOR LANDINGS OR FLOORS SERVING THE REQUIRED EGRESS DOOR ARE NOT AT GRADE, THEY SHALL BE PROVIDED WITH ACCESS TO GRADE BY MEANS OF A RAMP IN ACCORDANCE WITH CRC R311.8 OR A STAIRWAY IN ACCORDANCE WITH CRC R311.7.

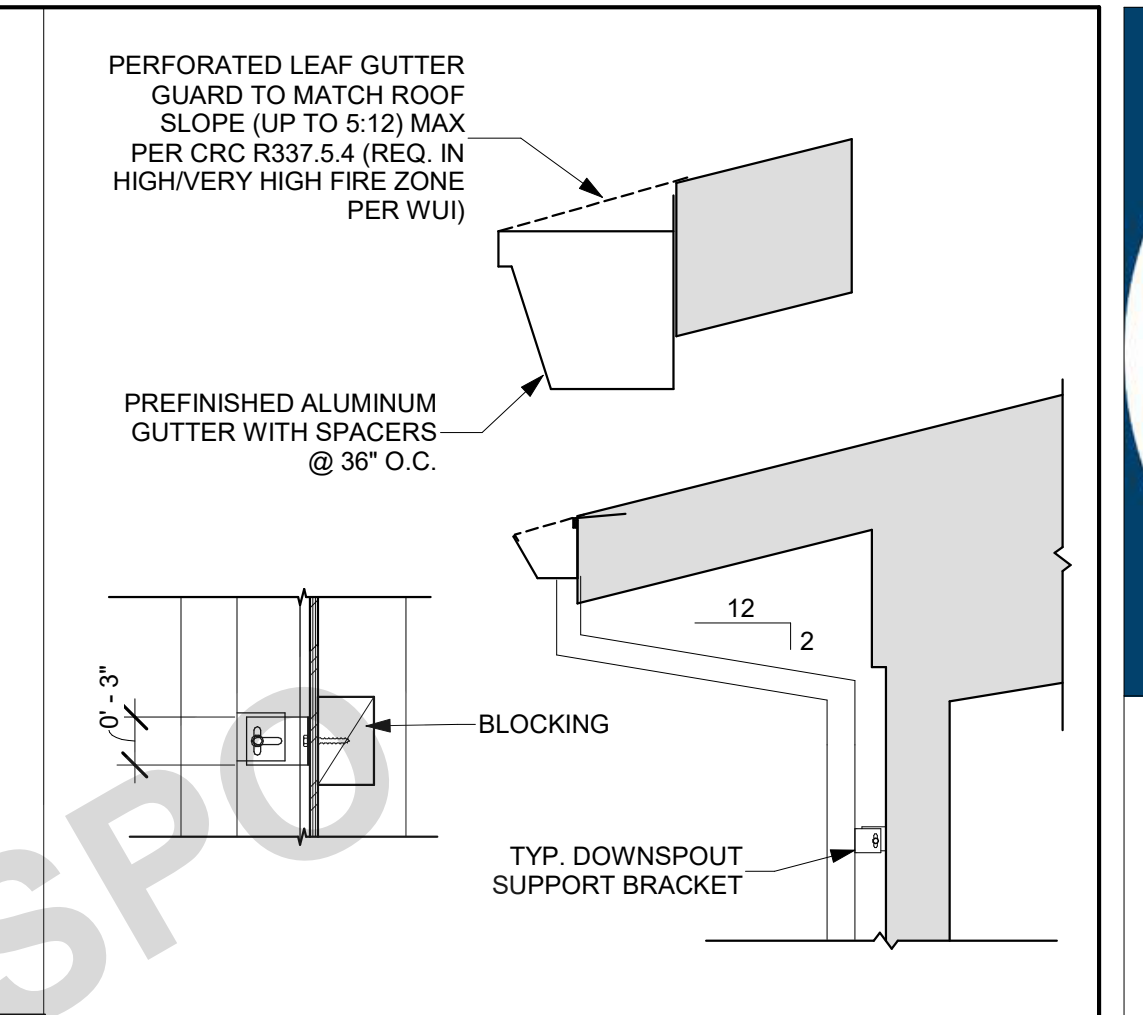
EXTERIOR
ALUMINUM DOOR THRESHOLD OVER PVC LINER. SILICONE CAULK AT ALL SCREW HOLES.
APPLY CONTINUOUS BEAD OF SEALANT TO UNDERSIDE OF THRESHOLD.

INTERIOR
LANDING TO BE 1/4" / 12" MIN. SLOPE AWAY FROM OPENING AND MEET CRC R311.3.1 AND CRC R311.7

CONCRETE SLAB; SEE STRUCTURAL FOR MORE INFORMATION

R311.3.1 FLOOR ELEVATIONS AT THE REQUIRED EGRESS DOORS
LANDINGS OR FINISHED FLOORS AT THE REQUIRED EGRESS DOOR SHALL BE NOT MORE THAN 1 1/2 INCHES LOWER THAN THE TOP OF THE THRESHOLD. THE LANDING OR FLOOR ON THE EXTERIOR SIDE SHALL BE NOT MORE THAN 7 3/4 INCHES BELOW THE TOP OF THE THRESHOLD PROVIDED THAT THE DOOR DOES NOT SWING OVER THE LANDING OR FLOOR.

WHERE EXTERIOR LANDINGS OR FLOORS SERVING THE REQUIRED EGRESS DOOR ARE NOT AT GRADE, THEY SHALL BE PROVIDED WITH ACCESS TO GRADE BY MEANS OF A RAMP IN ACCORDANCE WITH CRC R311.8 OR A STAIRWAY IN ACCORDANCE WITH CRC R311.7



12 TYP. GUTTER TO EXT. DOWNSPOUT
SCALE: 1/2" = 1'-0"

PERFORATED LEAF GUTTER GUARD TO MATCH ROOF SLOPE (UP TO 5:12) MAX PER CRC R337.5.4 (REQ. IN HIGH/VERY HIGH FIRE ZONE PER WUI)

PREFINISHED ALUMINUM GUTTER WITH SPACERS @ 36" O.C.

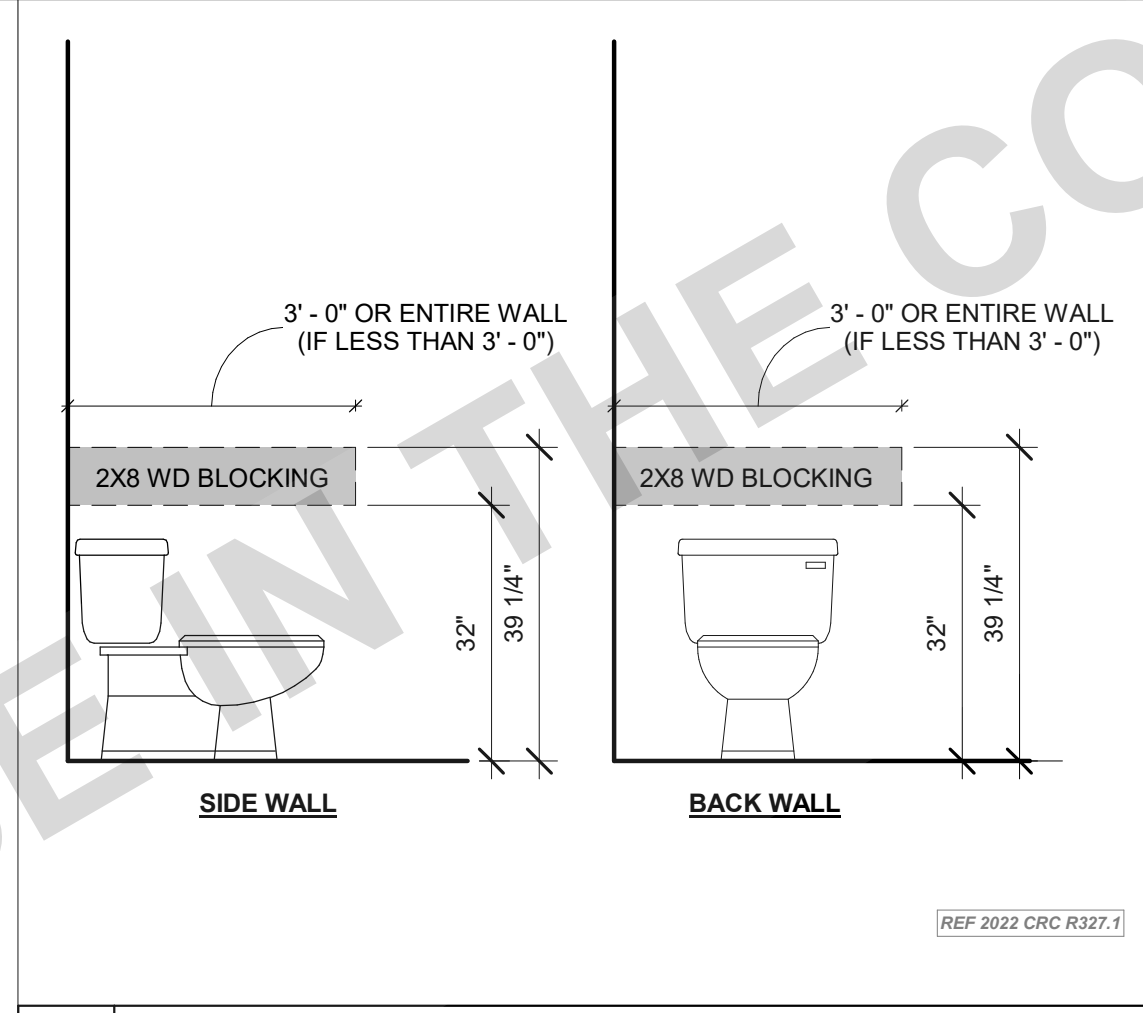
12

BLOCKING

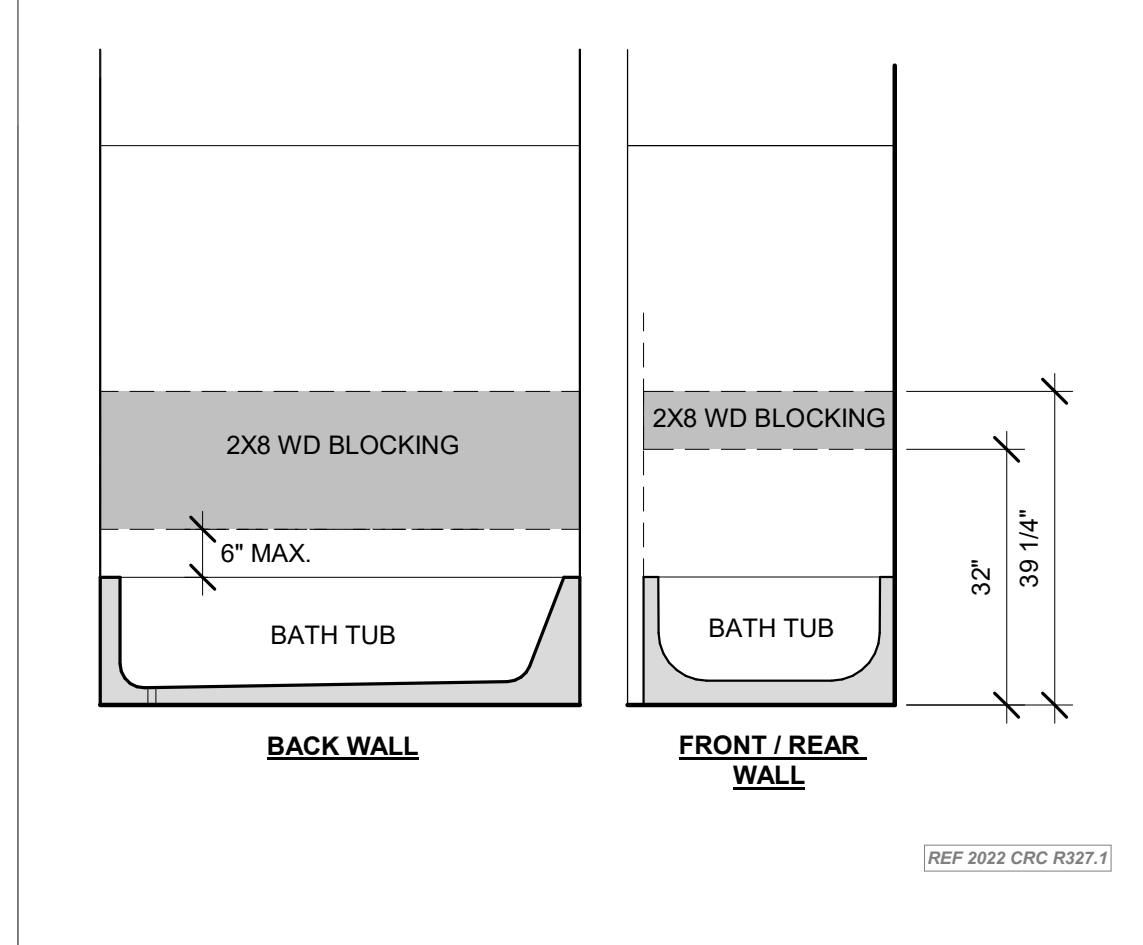
TYP. DOWNSPOUT SUPPORT BRACKET

NOTE:
SPLASH BLOCK OCCURS: AT ANY DOWNSPOUT ENDING AT GRADE LEVEL

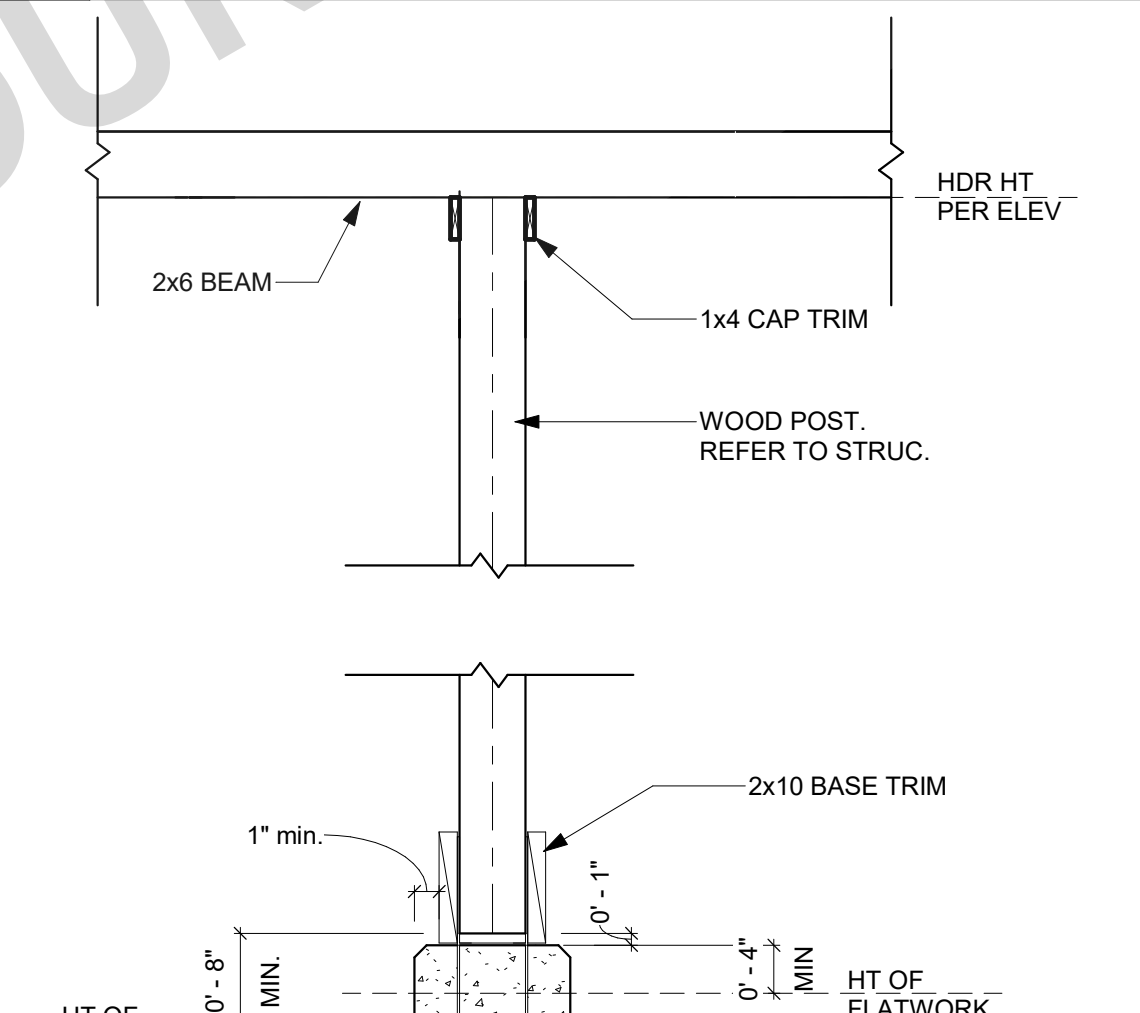
EXTERIOR WALL
PRECAST CONCRETE SPLASH BLOCK AT LANDSCAPE AREAS ADJACENT FINISH SURFACE- REFER TO CIVIL PLANS



43 TOILET BLOCKING - AGING-IN-PLACE
SCALE: 1/2" = 1'-0"



44 TUB BLOCKING - AGING-IN-PLACE
SCALE: 1/2" = 1'-0"



34 TYP. POST
SCALE: 3/4" = 1'-0"

2x6 BEAM

1x4 CAP TRIM

WOOD POST. REFER TO STRUC.

2x10 BASE TRIM

1" MIN.

HT OF EARTH

0'-8" MIN.

0'-4" MIN

HT OF FLATWORK

PER PLAN REF TO STRUC.

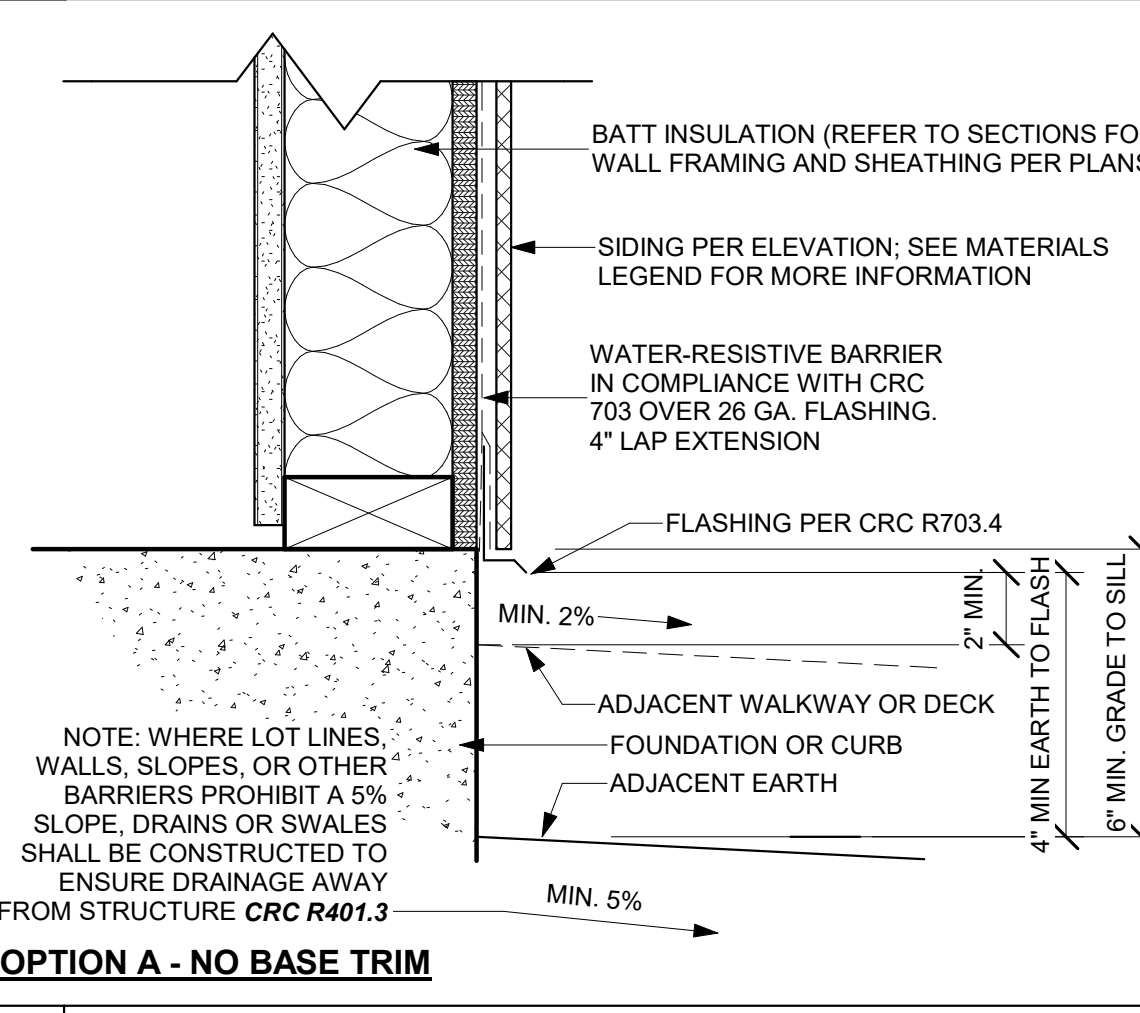
TOP PLAN VIEW

PLAN VIEW

0'-5 1/2"

POSTS AND COLUMNS THAT ARE EITHER EXPOSED TO THE WEATHER OR LOCATED IN BASEMENTS OR CELLARS, SUPPORTED BY CONCRETE PIERS OR METAL PEDESTALS. SHALL BE PROJECTED AT LEAST 1 INCH ABOVE THE SLAB OR DECK AND 8 INCHES ABOVE EXPOSED EARTH AND SHALL BE SEPARATED BY AN IMPERVIOUS MOISTURE BARRIER (ALTERNATE, PROVIDE A PRESERVATIVE-TREATED WOOD POST OR COLUMN). 2304.12.2.2 & EXCEPTION 1 CBC

NOTE: PRIMER & 2 COATS OF EXTERIOR GRADE PAINT REQ. FOR ALL EXTERIOR LUMBER
NOTE: FASTENER SIZE AND LOCATIONS PER STRUC. FOR ADDITIONAL HARDWARE INFORMATION, REF. TO MFR'S SPECS.



23 TYP. FOUNDATION
SCALE: 3" = 1'-0"

BATT INSULATION (REFER TO SECTIONS FOR R-VALUE)
WALL FRAMING AND SHEATHING PER PLANS/ STRUCTURAL

SIDING PER ELEVATION; SEE MATERIALS LEGEND FOR MORE INFORMATION

WATER-RESISTIVE BARRIER IN COMPLIANCE WITH CRC R703 OVER 26 GA. FLASHING. 4" LAP EXTENSION

FLASHING PER CRC R703.4

MIN. 2%

2" MIN. EARTH TO FLASH

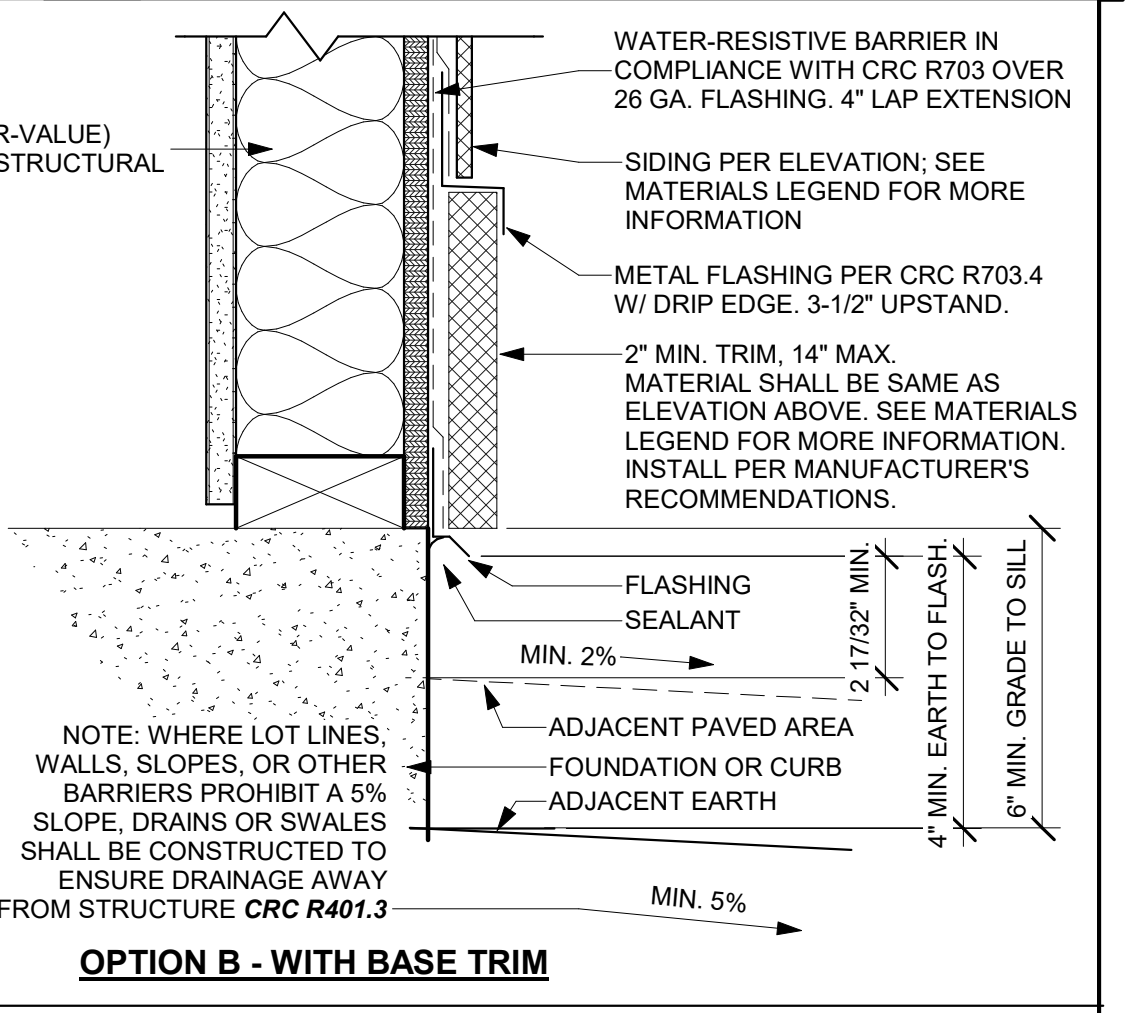
4" MIN. EARTH TO FLASH

6" MIN. GRADE TO SILL

NOTE: WHERE LOT LINES, WALLS, SLOPES, OR OTHER BARRIERS PROHIBIT A 5% SLOPE, DRAINS OR SWALES SHALL BE CONSTRUCTED TO ENSURE DRAINAGE AWAY FROM STRUCTURE CRC R401.3

OPTION A - NO BASE TRIM

MIN. 5%



12 TYP. GUTTER TO EXT. DOWNSPOUT
SCALE: 1/2" = 1'-0"

WATER-RESISTIVE BARRIER IN COMPLIANCE WITH CRC R703 OVER 26 GA. FLASHING. 4" LAP EXTENSION

SIDING PER ELEVATION; SEE MATERIALS LEGEND FOR MORE INFORMATION

METAL FLASHING PER CRC R703.4 W/ DRIP EDGE. 3-1/2" UPSTAND.

2" MIN. TRIM, 14" MAX. MATERIAL SHALL BE SAME AS ELEVATION ABOVE. SEE MATERIALS LEGEND FOR MORE INFORMATION. INSTALL PER MANUFACTURER'S RECOMMENDATIONS.

FLASHING SEALANT

MIN. 2%

2-1/2" MIN. EARTH TO FLASH

4" MIN. EARTH TO FLASH

6" MIN. GRADE TO SILL

NOTE: WHERE LOT LINES, WALLS, SLOPES, OR OTHER BARRIERS PROHIBIT A 5% SLOPE, DRAINS OR SWALES SHALL BE CONSTRUCTED TO ENSURE DRAINAGE AWAY FROM STRUCTURE CRC R401.3

OPTION B - WITH BASE TRIM

MIN. 5%

24 TYP. FOUNDATION @ HORIZONTAL LAP SIDING
SCALE: 3" = 1'-0"

BATT INSULATION (REFER TO SECTIONS FOR R-VALUE)
WALL FRAMING AND SHEATHING PER PLANS/ STRUCTURAL

SIDING PER ELEVATION; SEE MATERIALS LEGEND FOR MORE INFORMATION

WATER-RESISTIVE BARRIER IN COMPLIANCE WITH CRC R703 OVER 26 GA. FLASHING. 4" LAP EXTENSION

FLASHING PER CRC R703.4

MIN. 2%

2" MIN. EARTH TO FLASH

4" MIN. EARTH TO FLASH

6" MIN. GRADE TO SILL

NOTE: WHERE LOT LINES, WALLS, SLOPES, OR OTHER BARRIERS PROHIBIT A 5% SLOPE, DRAINS OR SWALES SHALL BE CONSTRUCTED TO ENSURE DRAINAGE AWAY FROM STRUCTURE CRC R401.3

OPTION A - NO BASE TRIM

MIN. 5%

12 TYP. GUTTER TO EXT. DOWNSPOUT
SCALE: 1/2" = 1'-0"

WATER-RESISTIVE BARRIER IN COMPLIANCE WITH CRC R703 OVER 26 GA. FLASHING. 4" LAP EXTENSION

SIDING PER ELEVATION; SEE MATERIALS LEGEND FOR MORE INFORMATION

METAL FLASHING PER CRC R703.4 W/ DRIP EDGE. 3-1/2" UPSTAND.

2" MIN. TRIM, 14" MAX. MATERIAL SHALL BE SAME AS ELEVATION ABOVE. SEE MATERIALS LEGEND FOR MORE INFORMATION. INSTALL PER MANUFACTURER'S RECOMMENDATIONS.

FLASHING SEALANT

MIN. 2%

2-1/2" MIN. EARTH TO FLASH

4" MIN. EARTH TO FLASH

6" MIN. GRADE TO SILL

NOTE: WHERE LOT LINES, WALLS, SLOPES, OR OTHER BARRIERS PROHIBIT A 5% SLOPE, DRAINS OR SWALES SHALL BE CONSTRUCTED TO ENSURE DRAINAGE AWAY FROM STRUCTURE CRC R401.3

OPTION B - WITH BASE TRIM

MIN. 5%

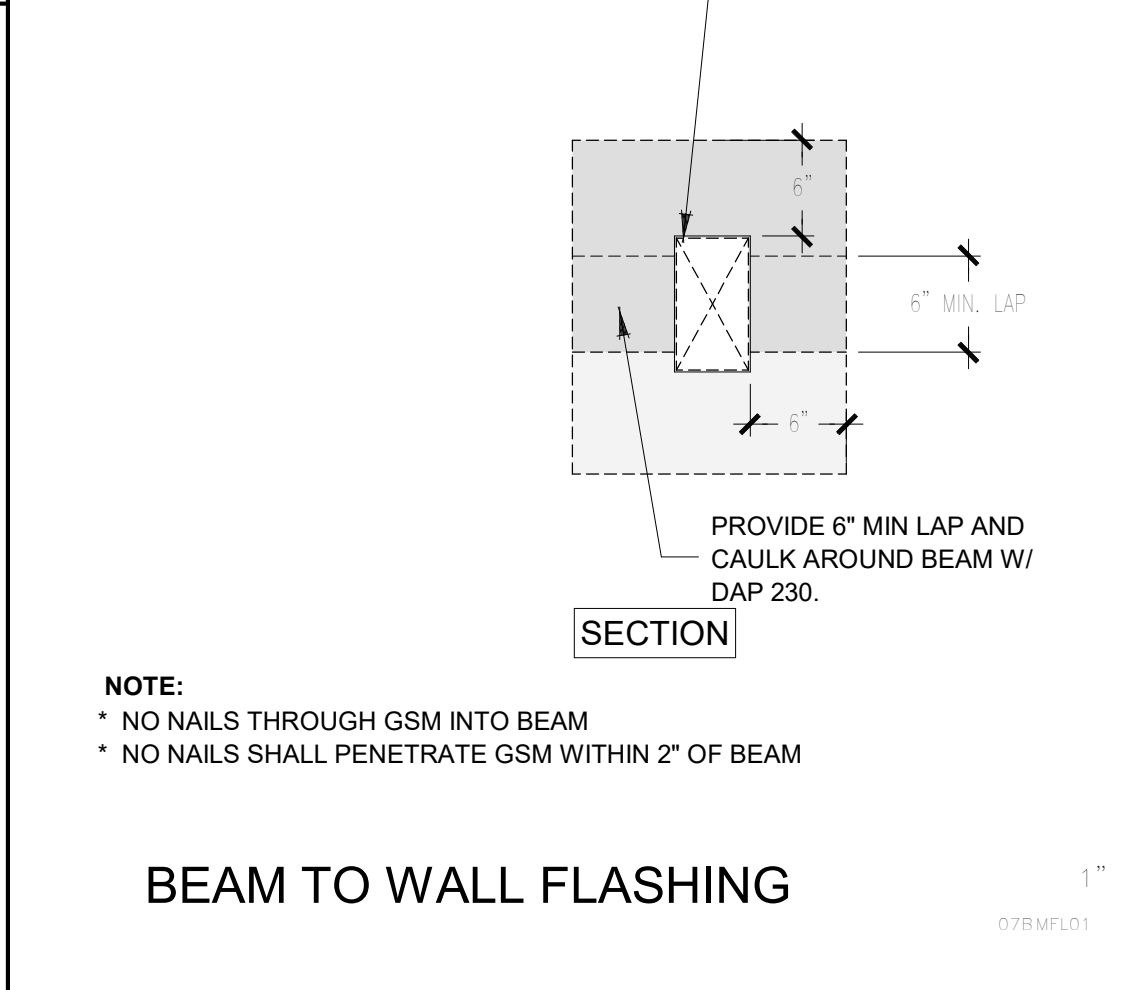
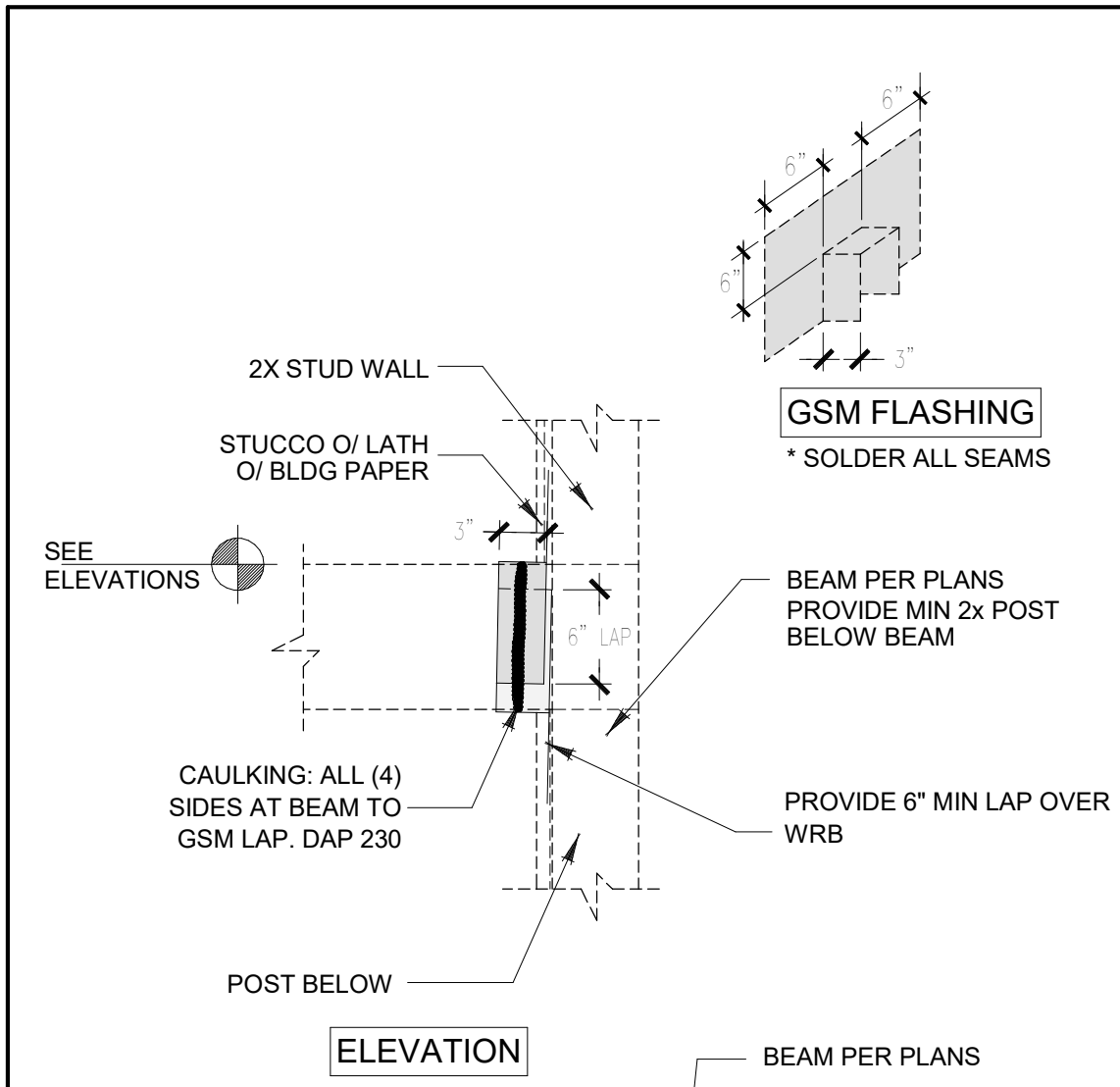
COUNTY OF SAN LUIS OBISPO
ACCESSORY DWELLING UNIT
SAN LUIS OBISPO, CA

ARCHITECTURAL DETAILS - LOFT

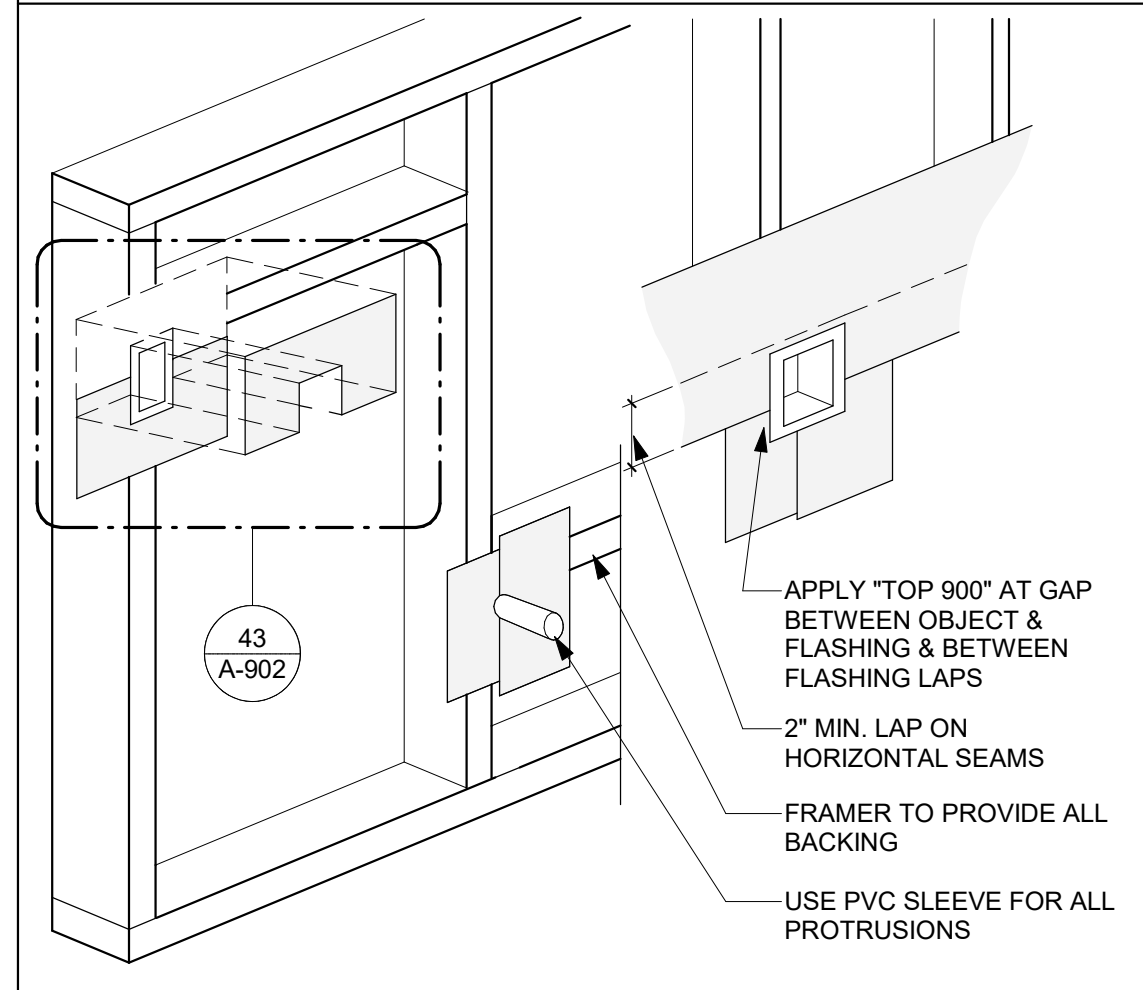
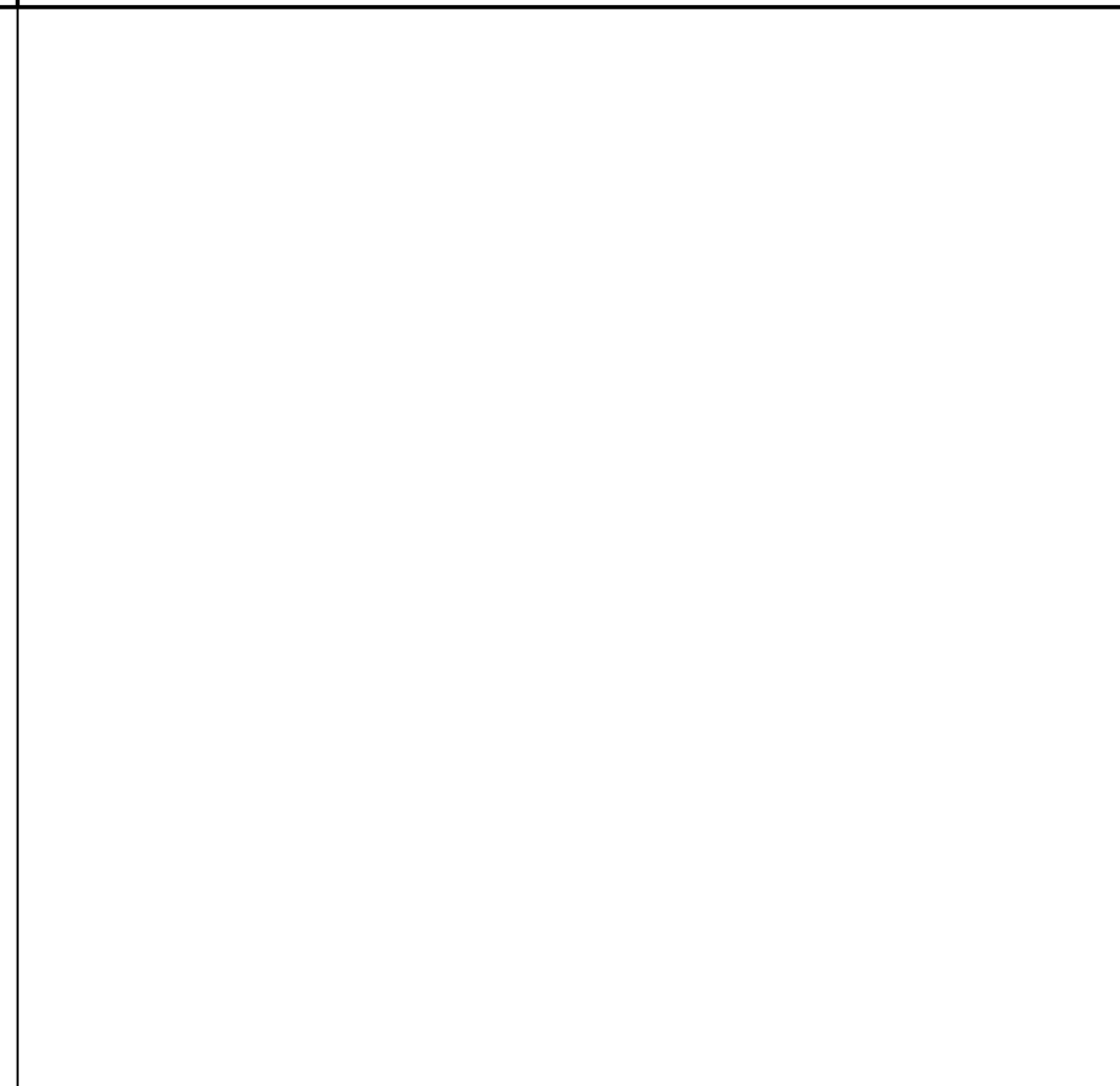
1/28/2023 10:34:21 AM
C:\Users\jacobdocuments\2727-01_SLO County ADU_CD_CENTRAL_2022_jacob\DWG\A-904.dwg



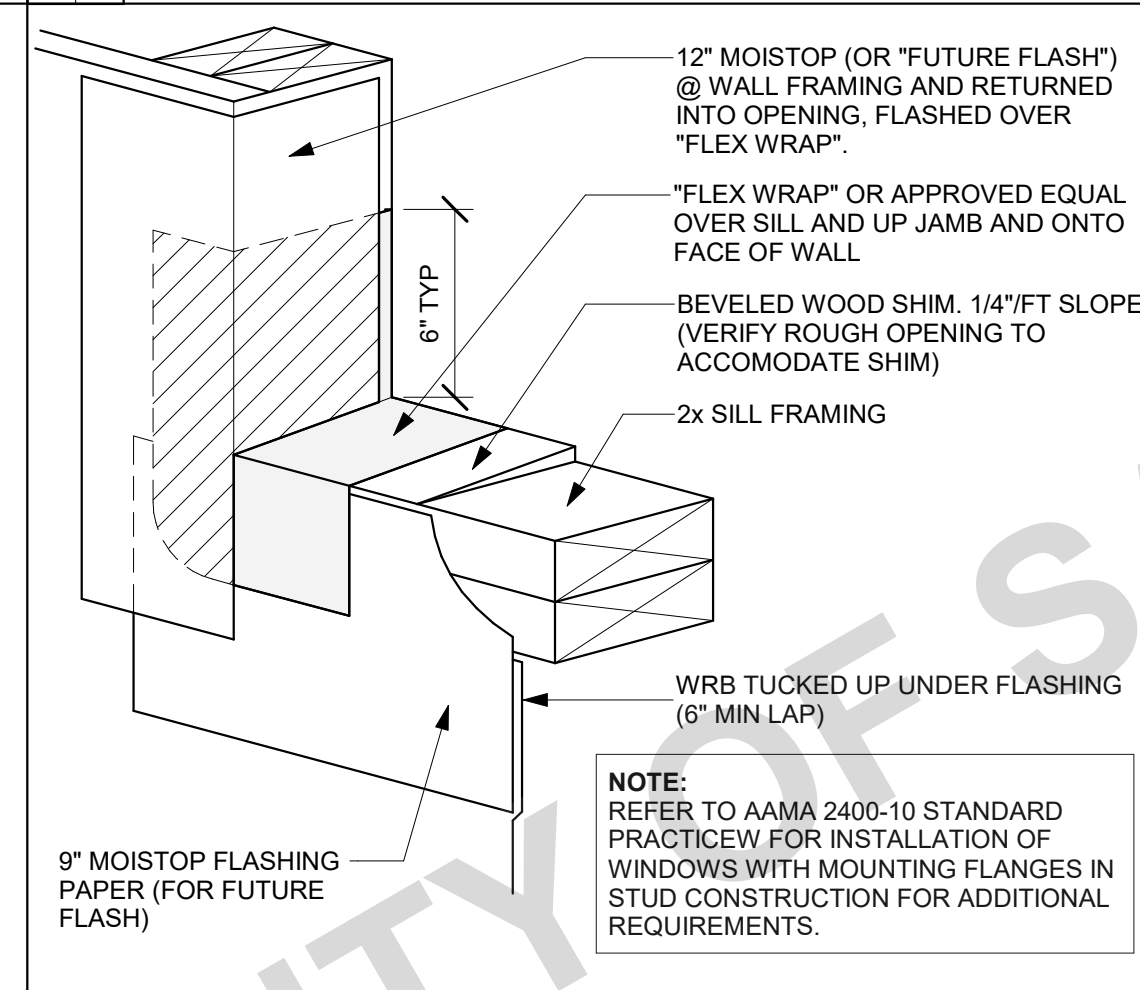
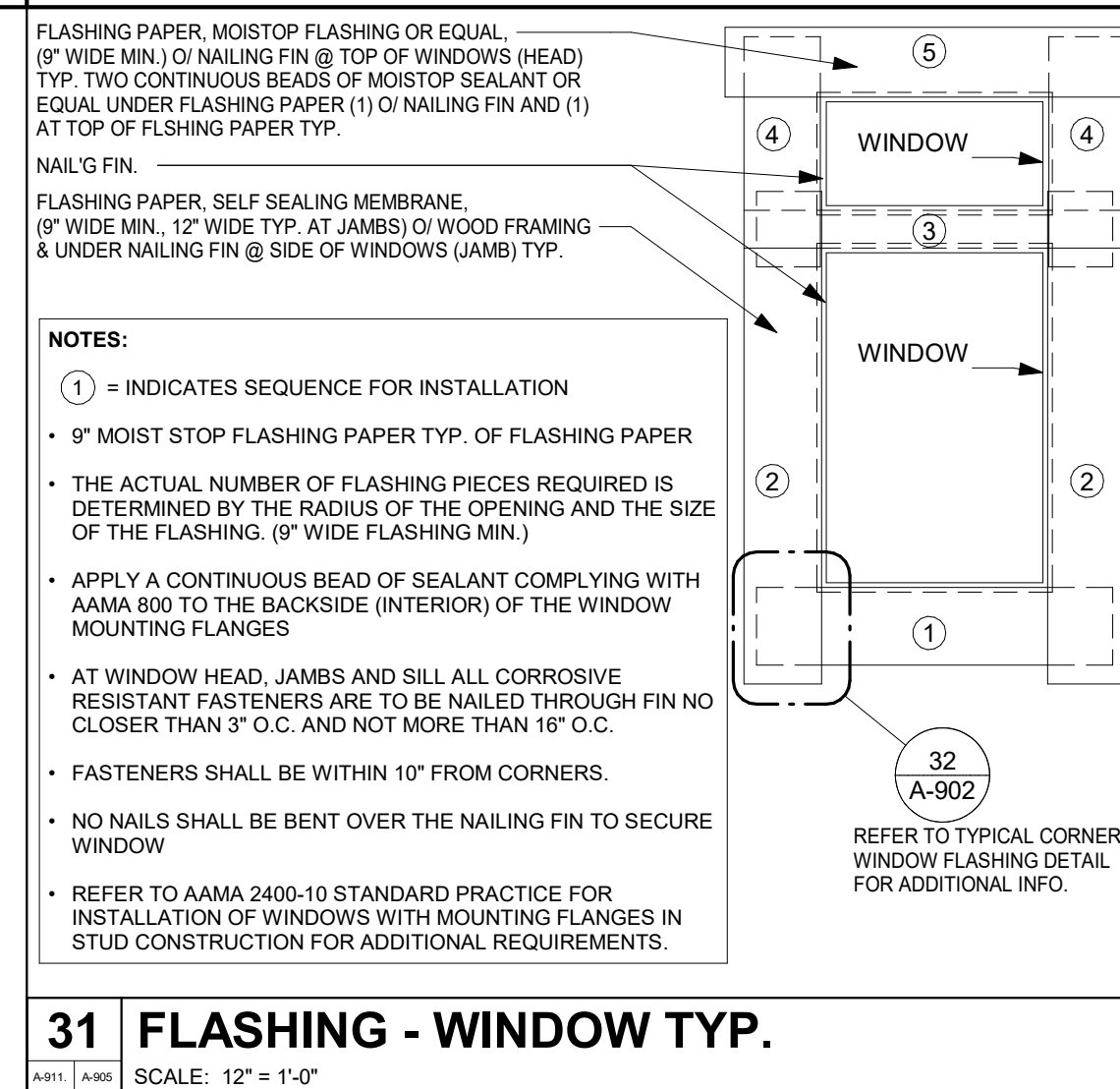
THESE PLANS ARE PROVIDED BY THE COUNTY OF SAN LUIS OBISPO AS PART OF THE PRE-APPROVED ADU PROGRAM AND ARE PUBLIC DOMAIN. THERE CANNOT BE A CHARGE TO PROVIDE THESE PLANS. NO ALTERATIONS TO THESE PLANS ARE ALLOWED. ALL ALTERATIONS MUST BE DONE UNDER A SEPARATE PERMIT ONCE THE BUILDING PERMIT FOR THE ADU HAS BEEN ISSUED AND FINAL INSPECTION COMPLETED. IF YOU DO NOT HAVE THE CONSTRUCTION KNOWLEDGE AND EXPERIENCE TO CONTRUCT THESE PLANS WITHOUT FURTHER DETAILS, IT IS RECOMMENDED YOU HIRE A CONTRACTOR TO DO THE CONSTRUCTION. THE CITY WILL NOT PROVIDE FURTHER INFORMATION OR DETAILS AND BUILDING INSPECTORS WILL NOT PROVIDE STEP BY STEP INSTRUCTIONS IN THE FIELD.



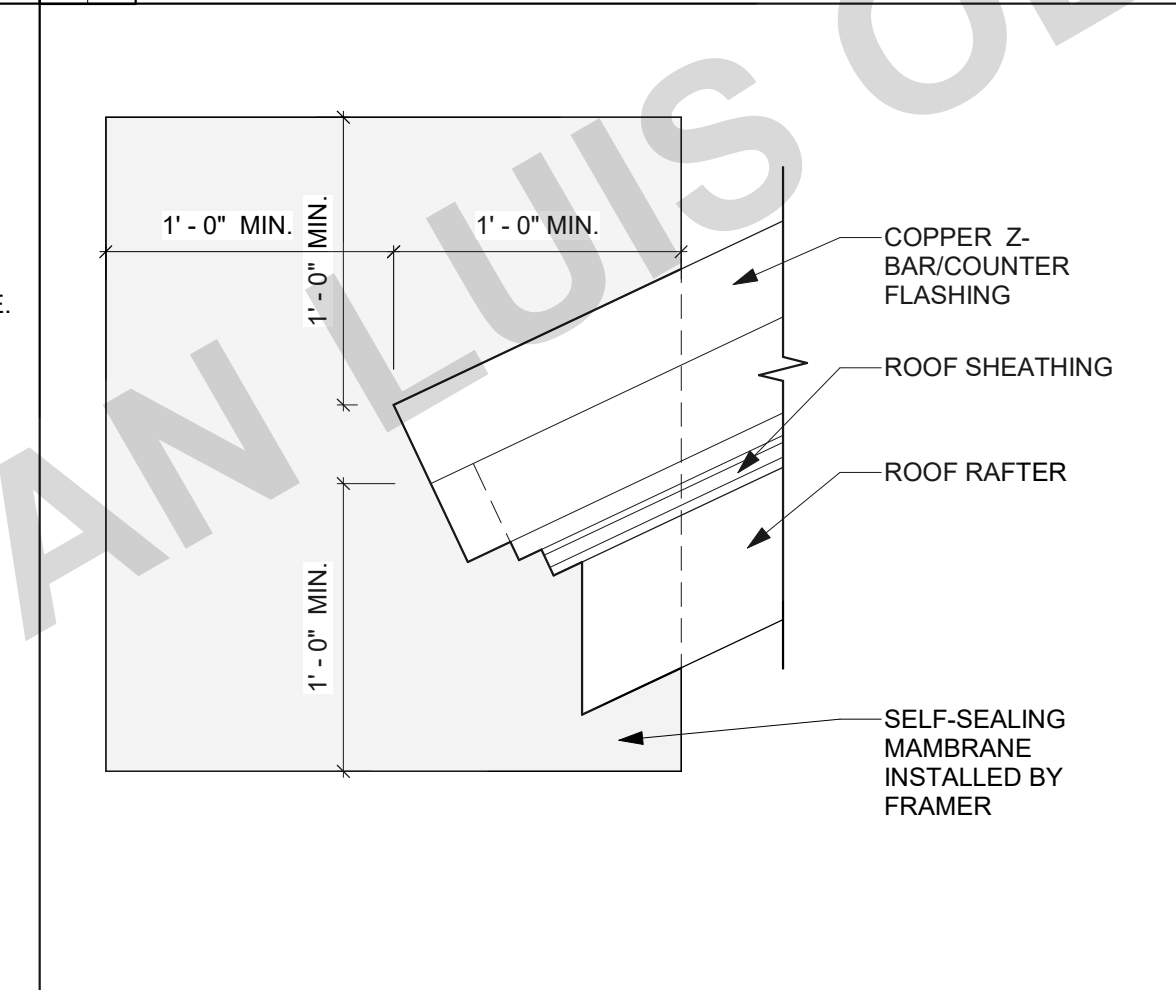
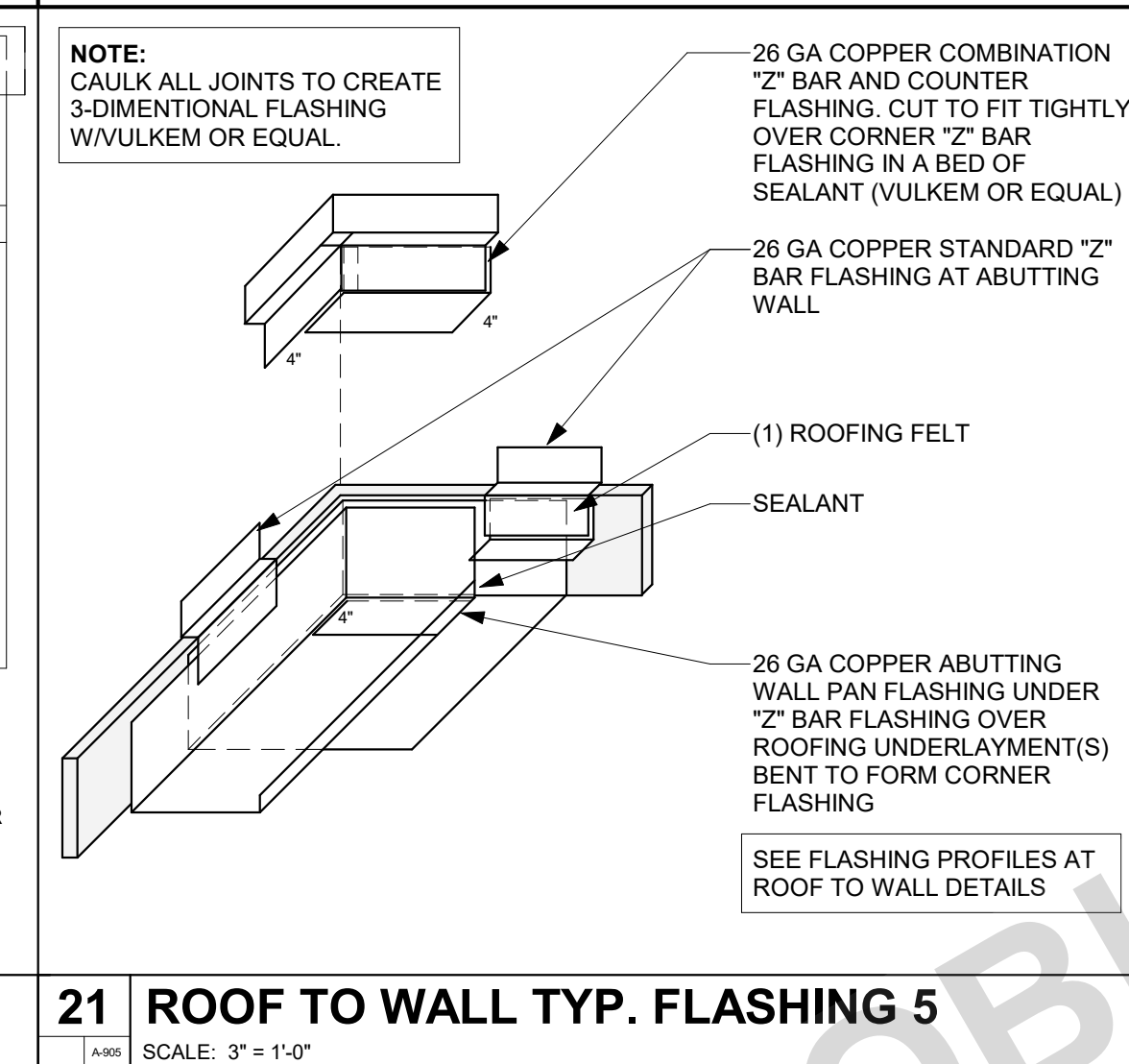
51 GSM FLASHING
SCALE: 1" = 1'-0"



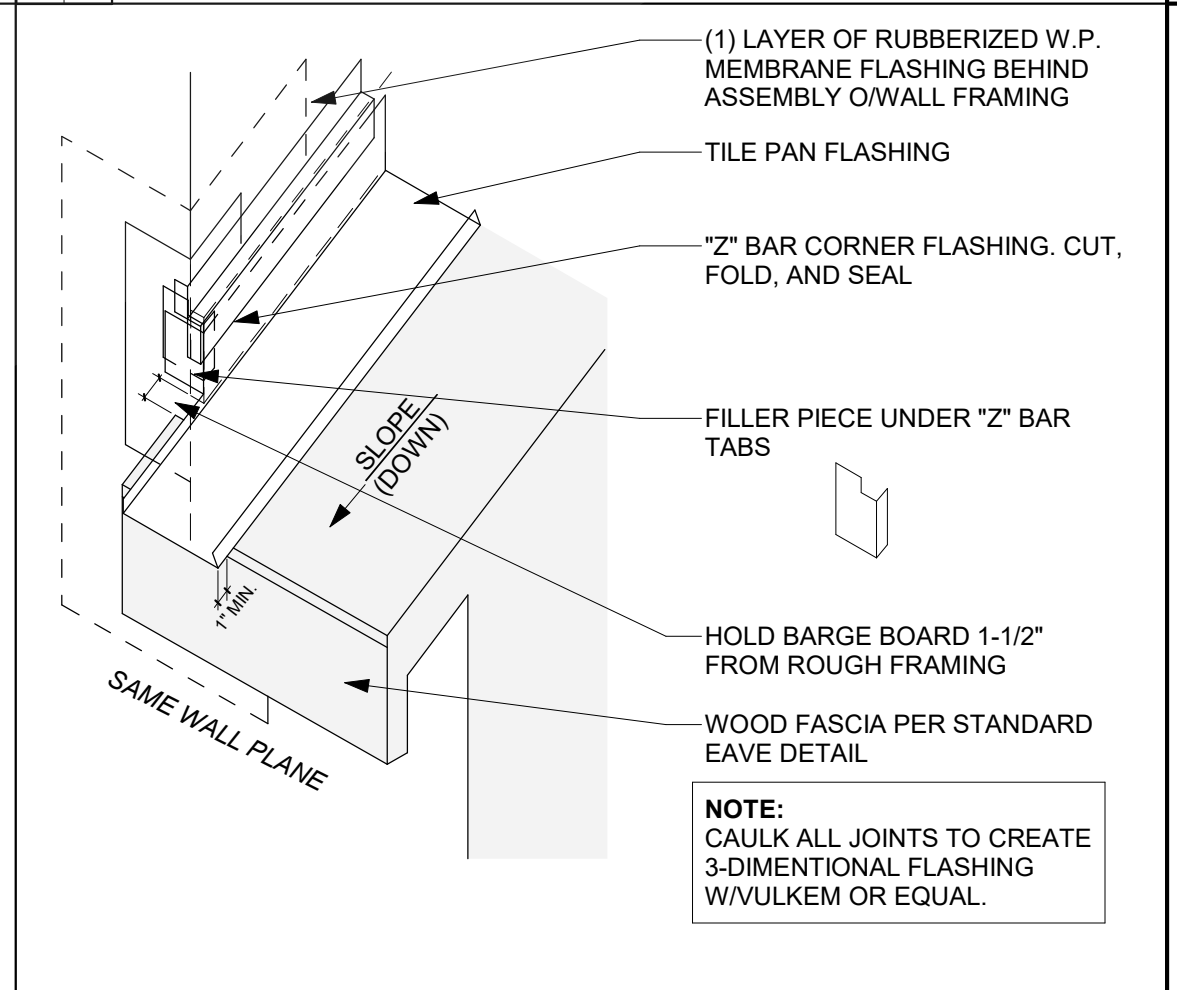
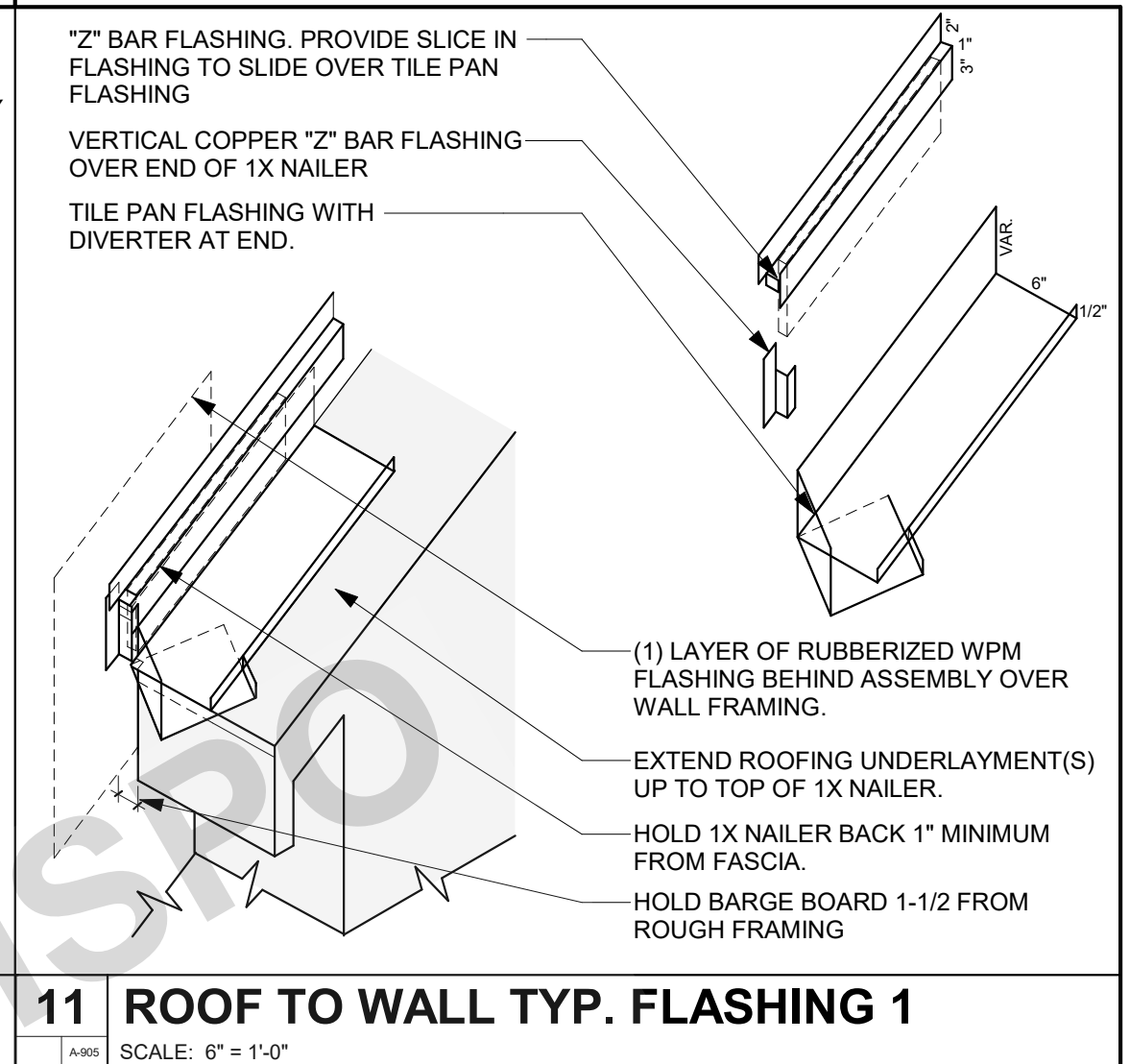
31 FLASHING - WINDOW TYP.
SCALE: 12" = 1'-0"



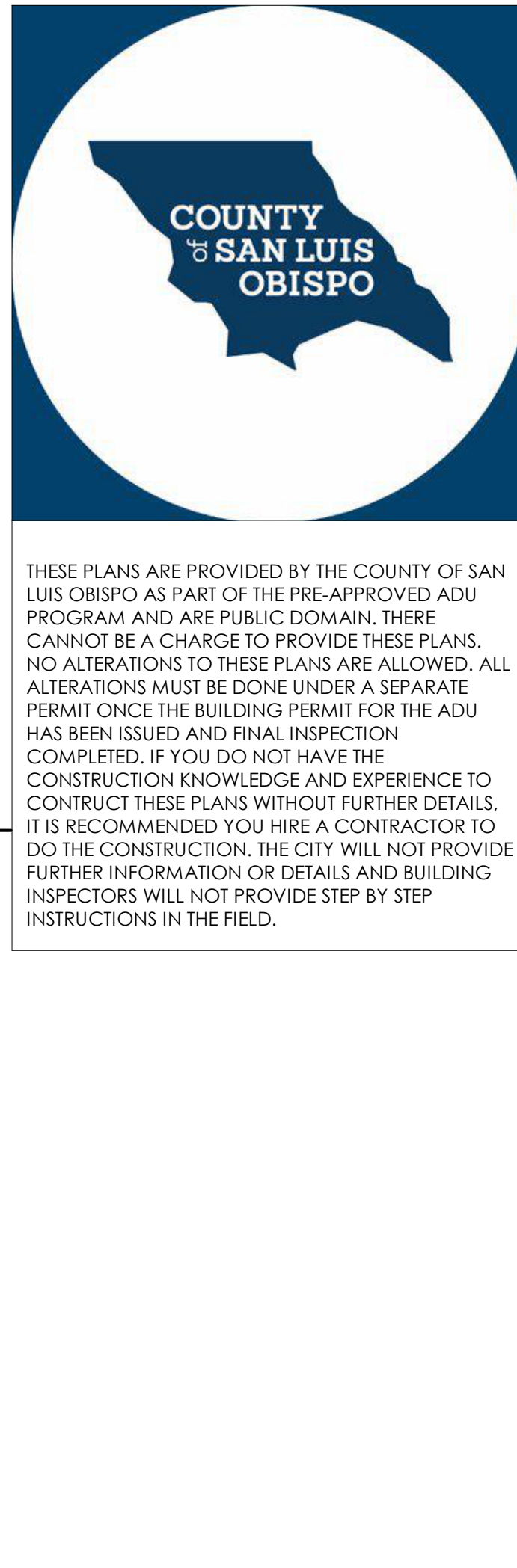
21 ROOF TO WALL TYP. FLASHING 5
SCALE: 3" = 1'-0"



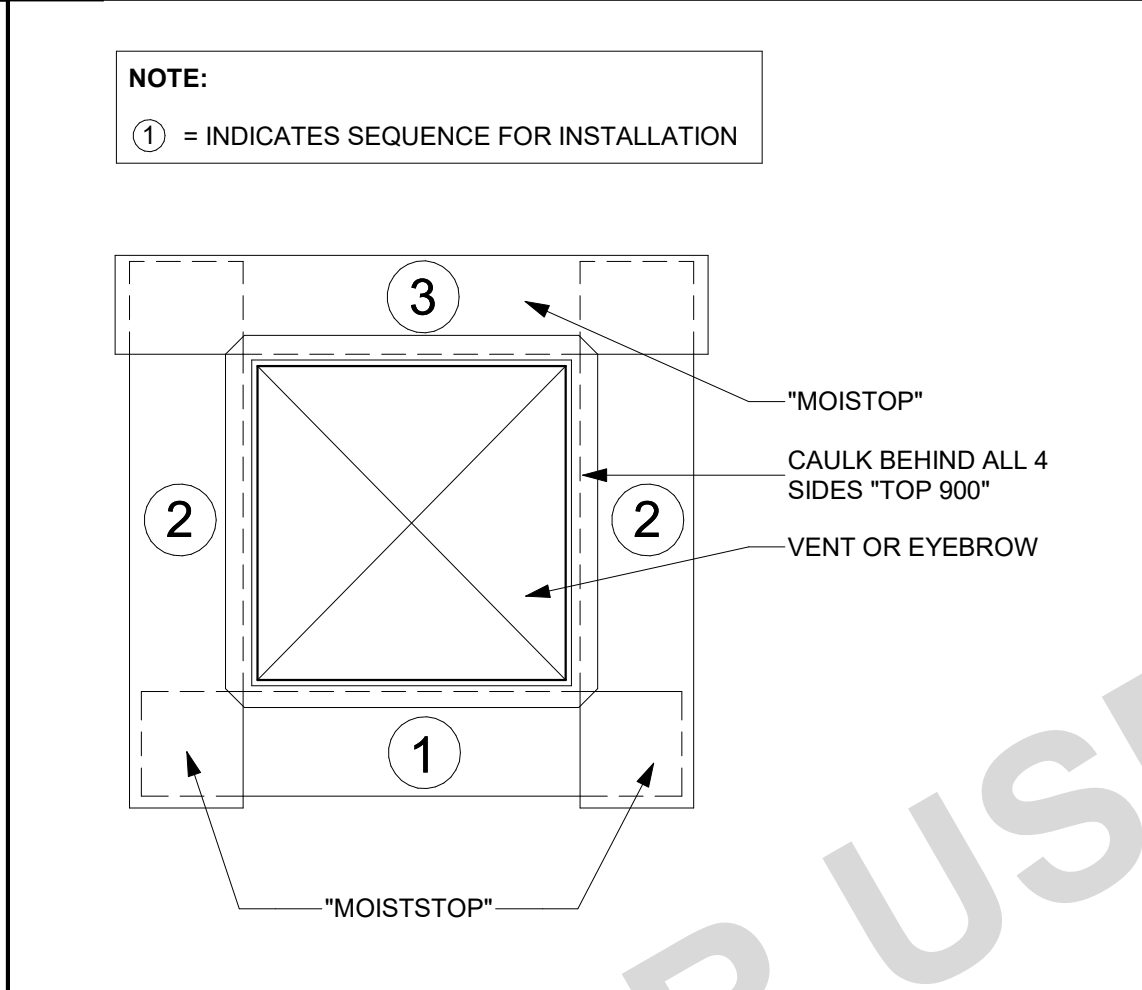
11 ROOF TO WALL TYP. FLASHING 1
SCALE: 6" = 1'-0"



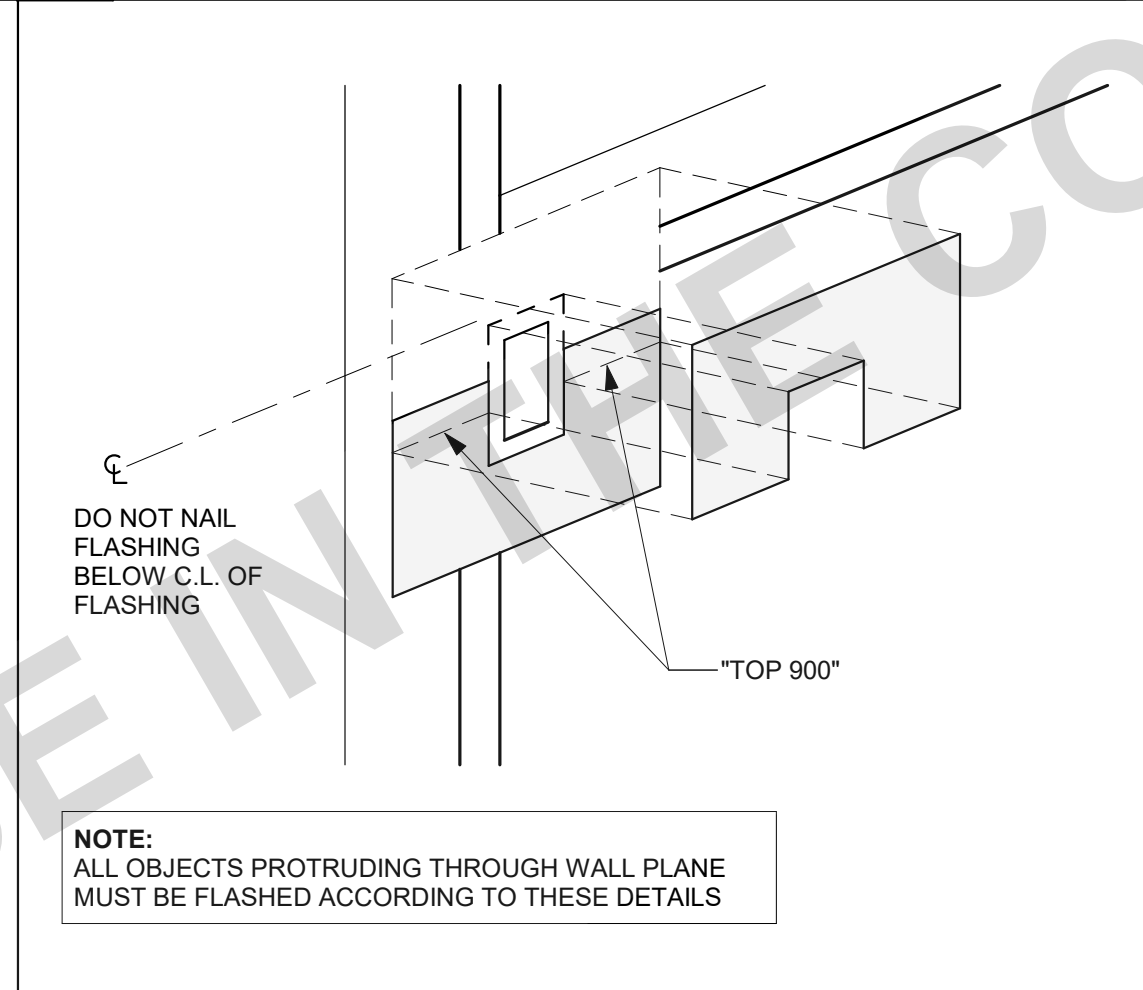
52 BEAM TO WALL FLASHING
SCALE: 1" = 1'-0"



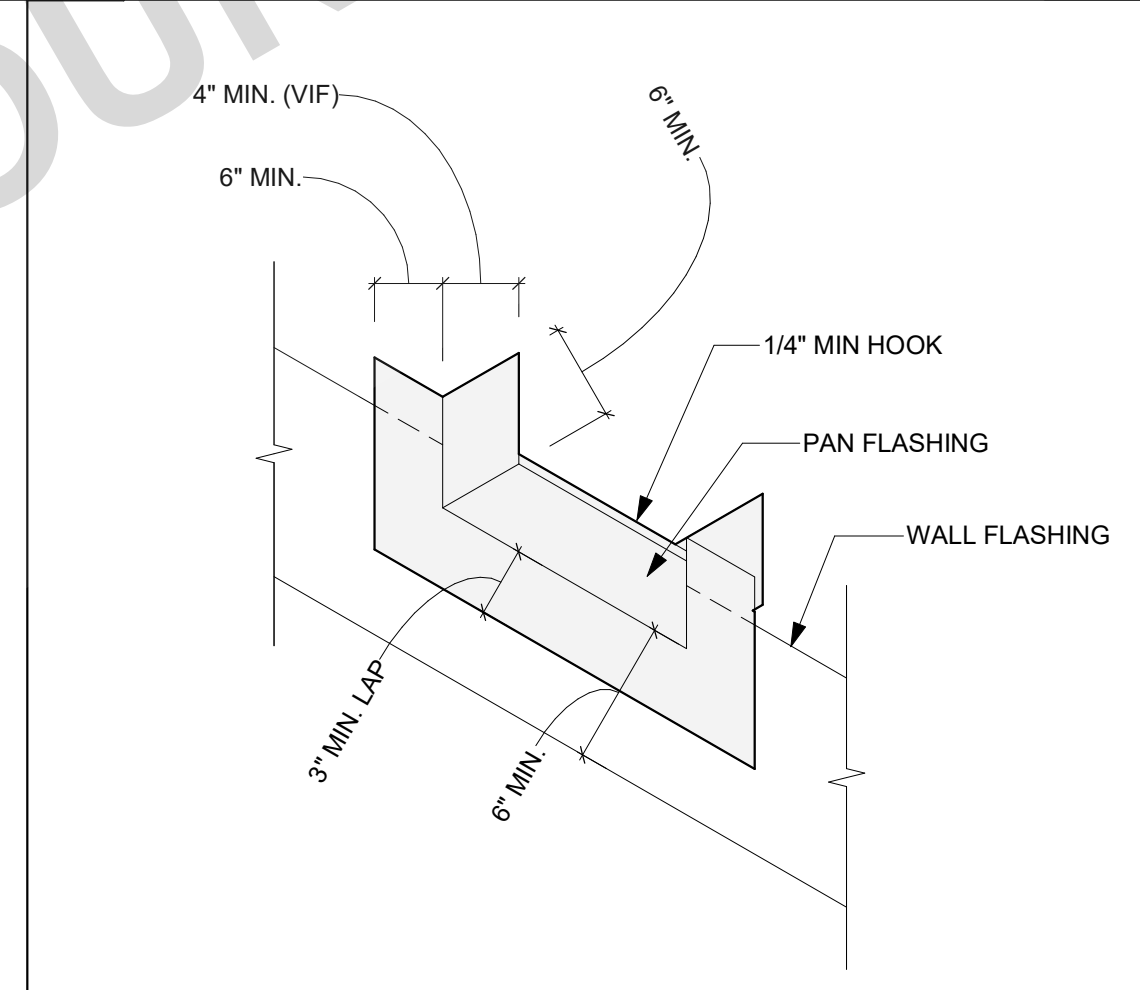
12 ROOF TO WALL TYP. FLASHING 2
SCALE: 3" = 1'-0"



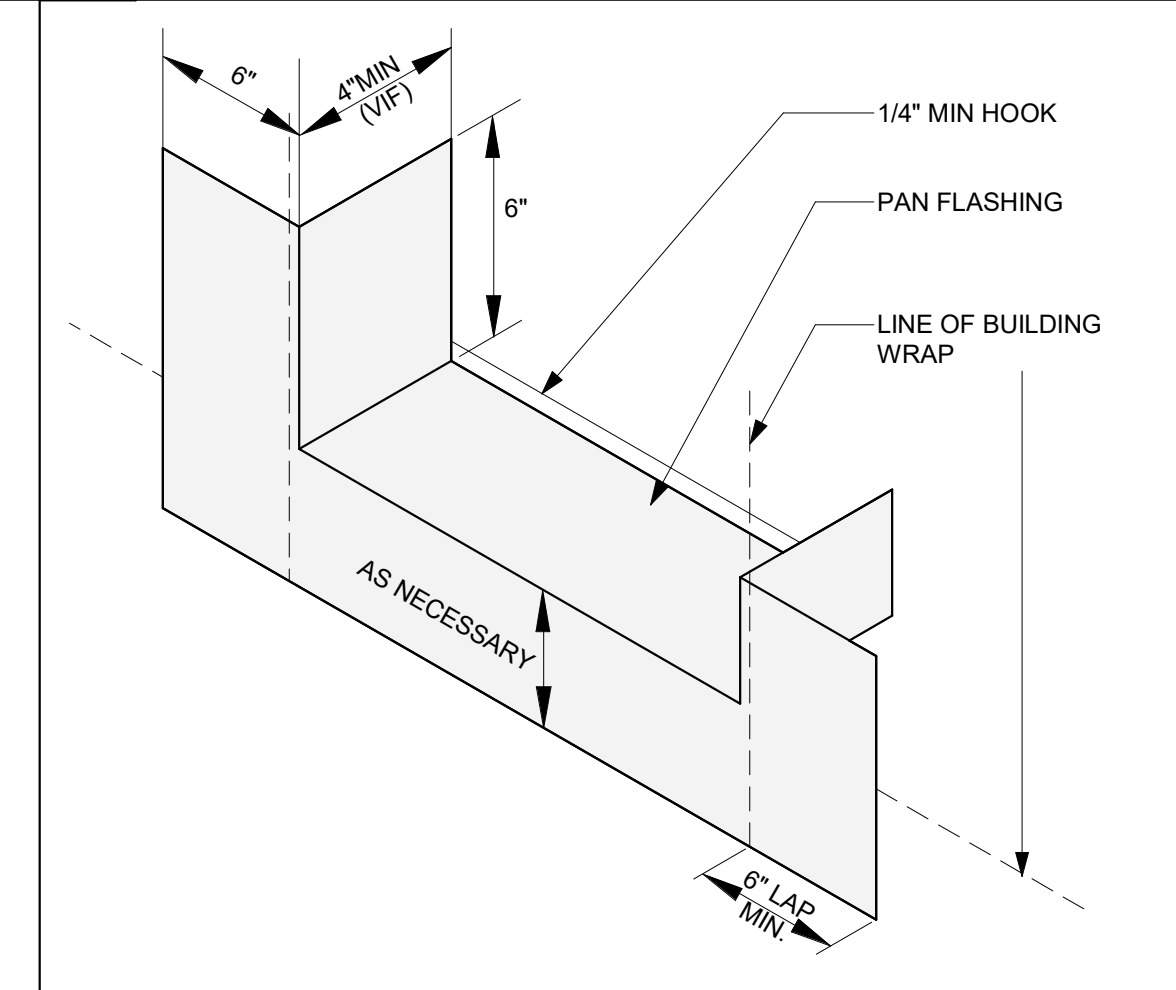
53 FLASHING - G.I. VENT
SCALE: 1" = 1'-0"



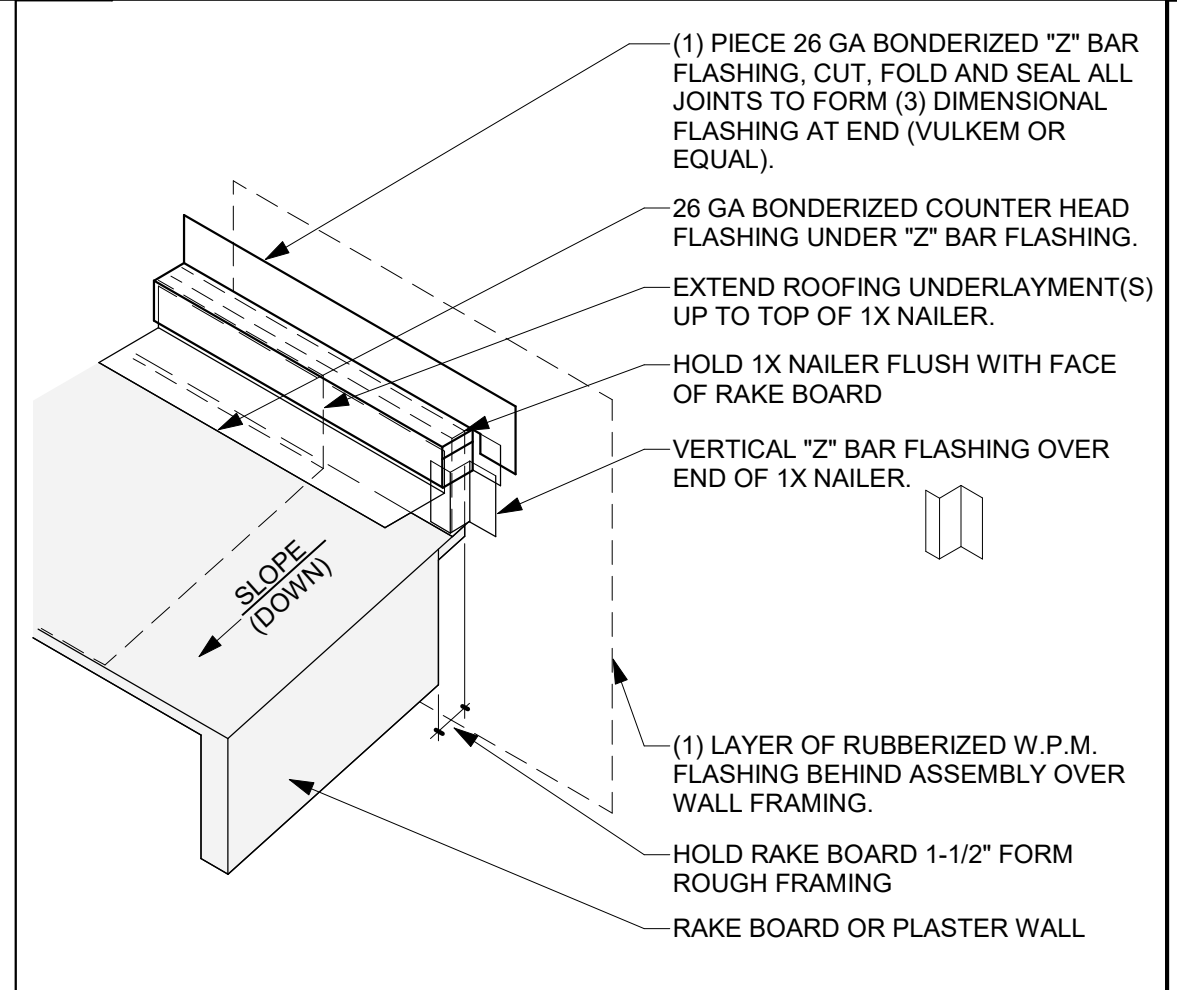
43 FLASHING - DETAILED PROTRUSION
SCALE: 1 1/2" = 1'-0"



33 FLASHING - DOOR AT GRADE
SCALE: 3" = 1'-0"



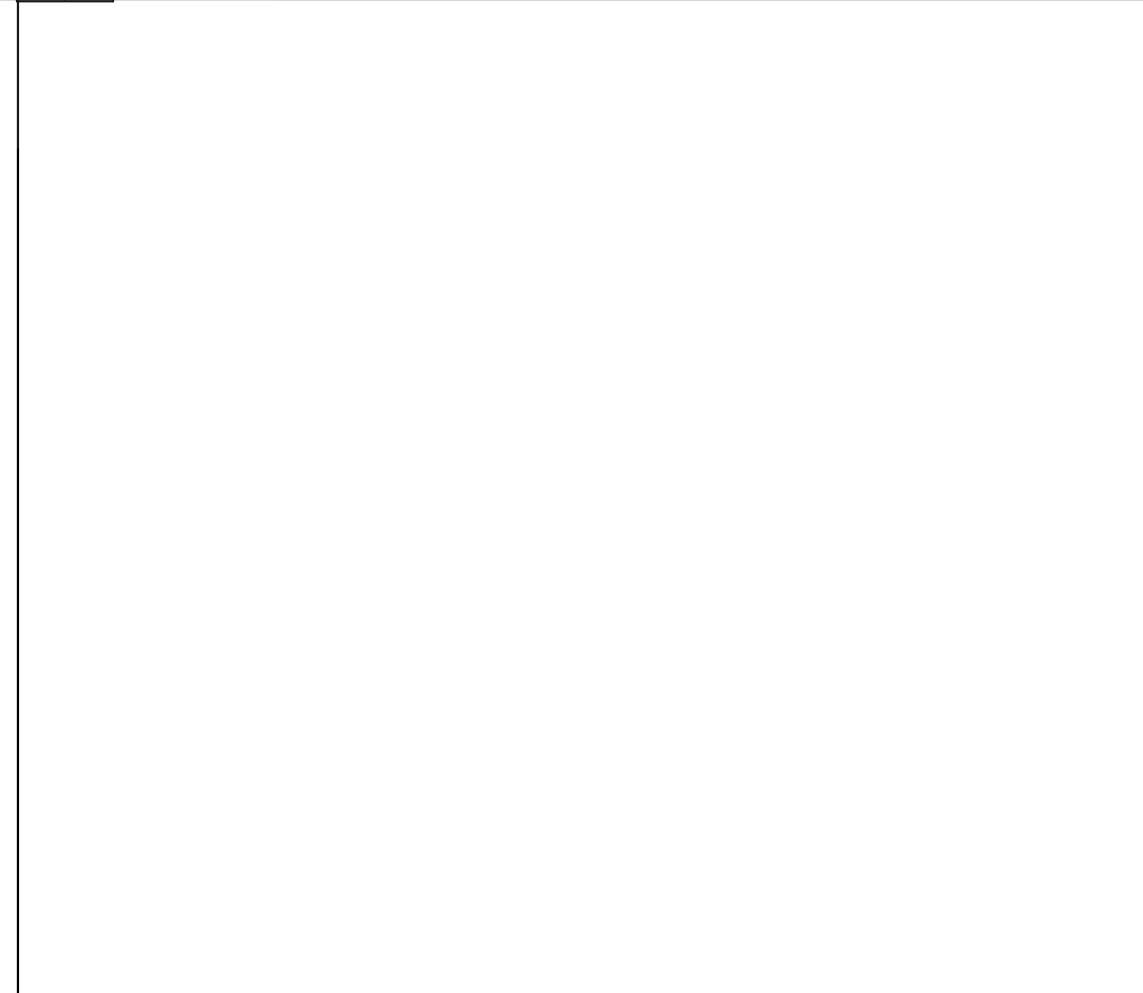
23 FLASHING PAN @ DOOR THRESHOLD
SCALE: 3" = 1'-0"



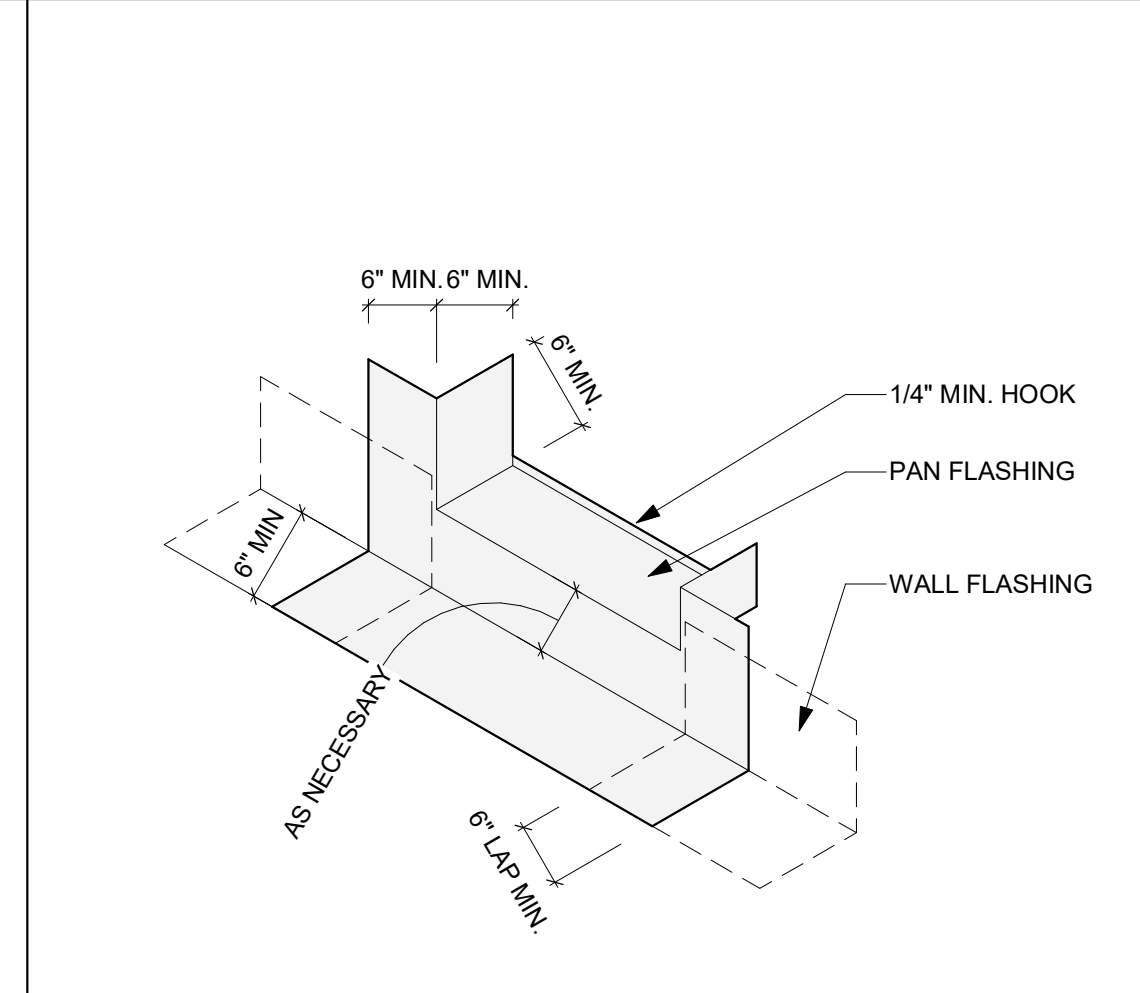
13 ROOF TO WALL TYP. FLASHING 3
SCALE: 3" = 1'-0"



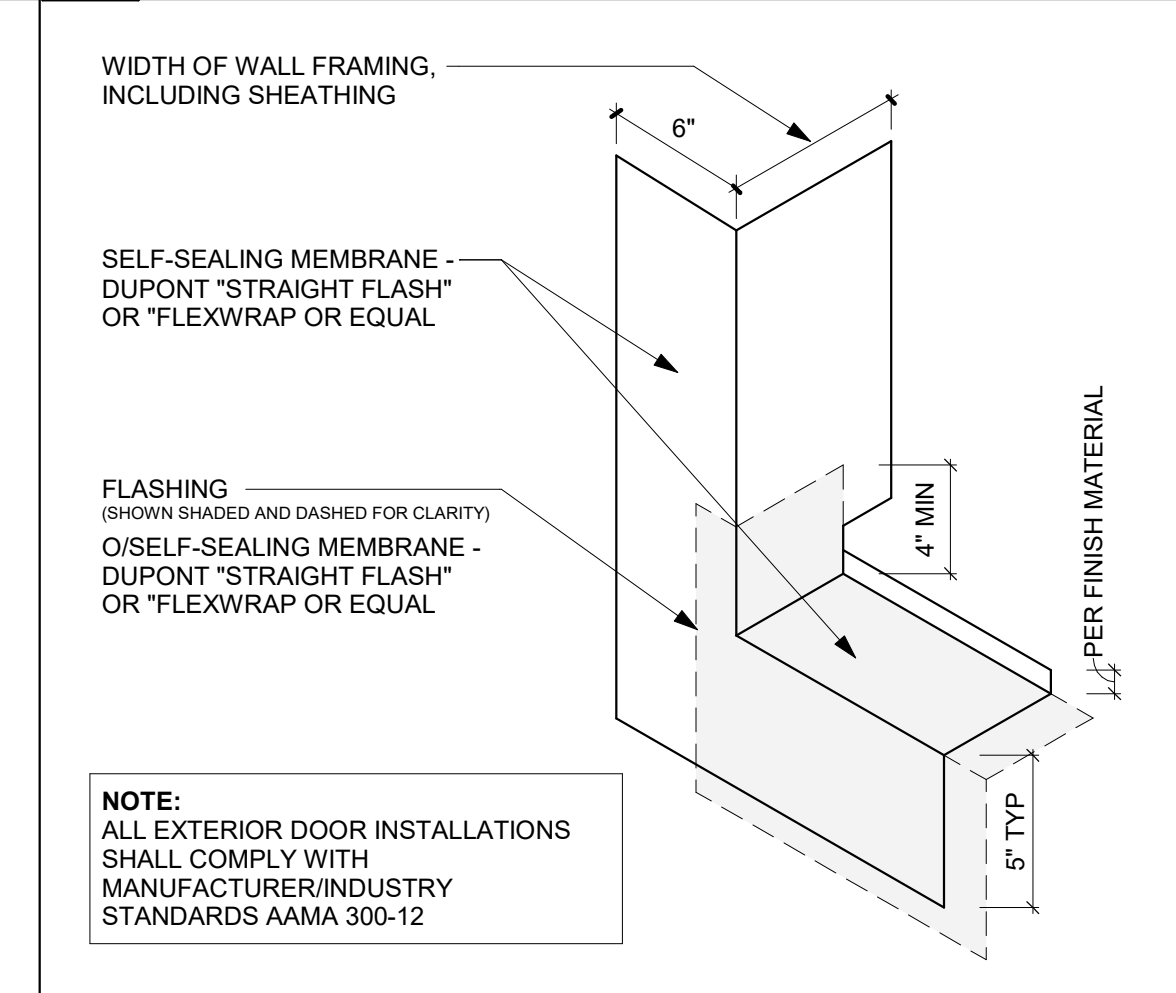
53 FLASHING - G.I. VENT
SCALE: 1" = 1'-0"



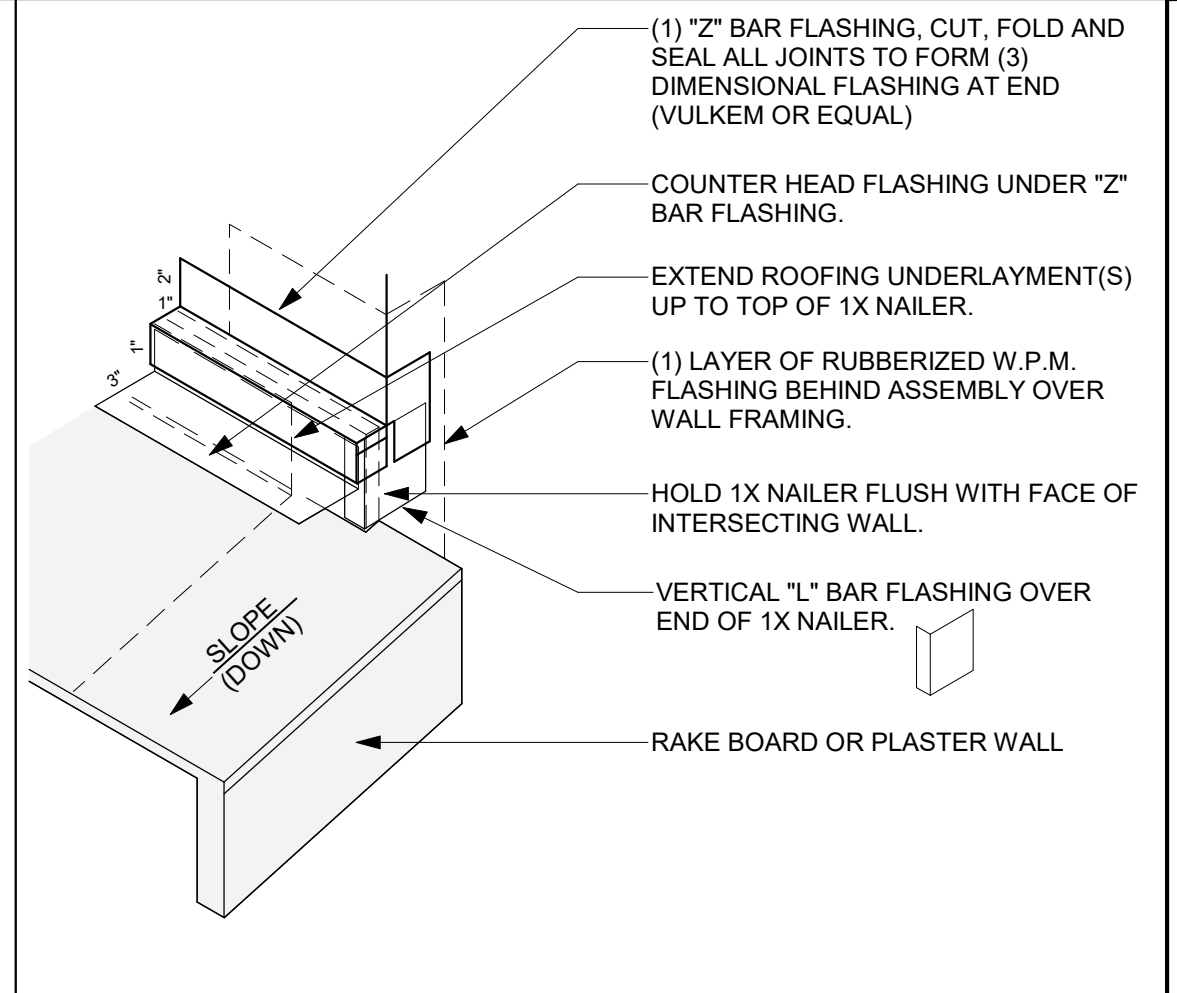
43 FLASHING - DETAILED PROTRUSION
SCALE: 1 1/2" = 1'-0"



33 FLASHING - DOOR AT GRADE
SCALE: 3" = 1'-0"



23 FLASHING PAN @ DOOR THRESHOLD
SCALE: 3" = 1'-0"



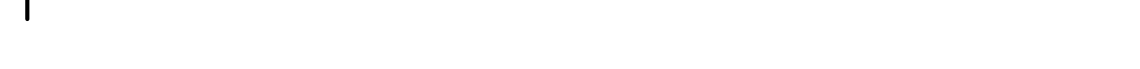
13 ROOF TO WALL TYP. FLASHING 3
SCALE: 3" = 1'-0"



53 FLASHING - G.I. VENT
SCALE: 1" = 1'-0"



43 FLASHING - DETAILED PROTRUSION
SCALE: 1 1/2" = 1'-0"



33 FLASHING - DOOR AT GRADE
SCALE: 3" = 1'-0"



23 FLASHING PAN @ DOOR THRESHOLD
SCALE: 3" = 1'-0"



13 ROOF TO WALL TYP. FLASHING 3
SCALE: 3" = 1'-0"

COUNTY OF SAN LUIS OBISPO
ACCESSORY DWELLING UNIT
SAN LUIS OBISPO, CA

ARCHITECTURAL DETAILS - LOFT

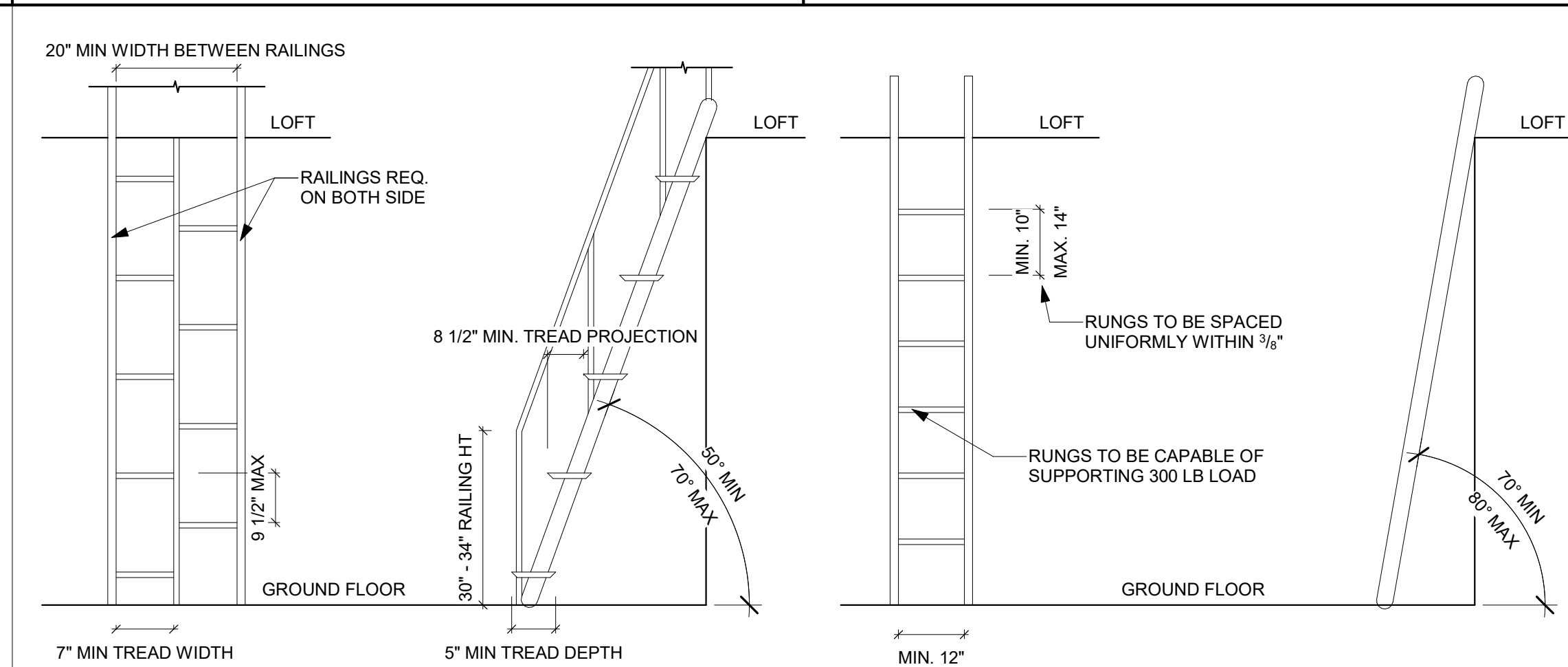
DATE
11/28/2023

SHEET
A-905

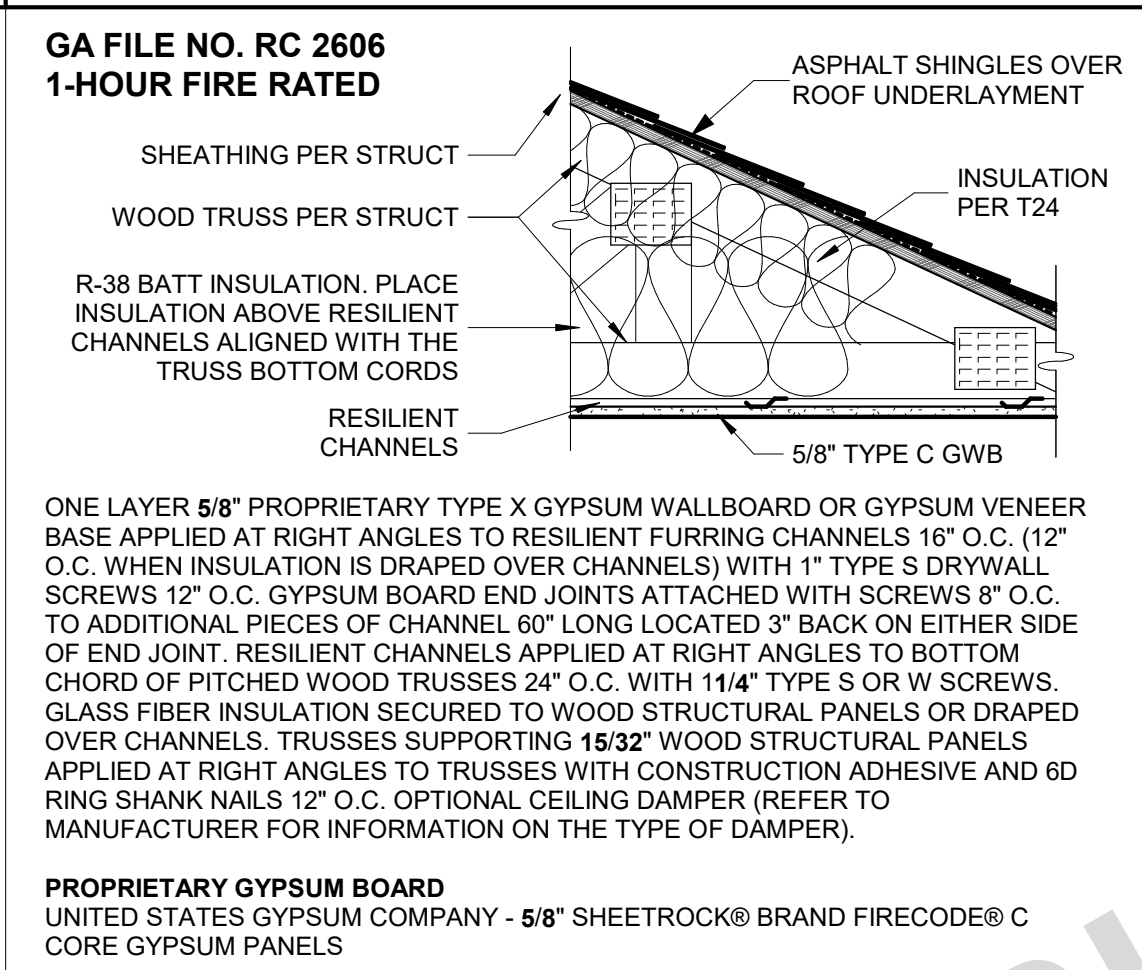
1/17/2023 10:34:22 AM
C:\Users\jacobdocuments\2727-01_SLO County ADU_CD_CENTRAL_2022_jacob\REV1.dwg



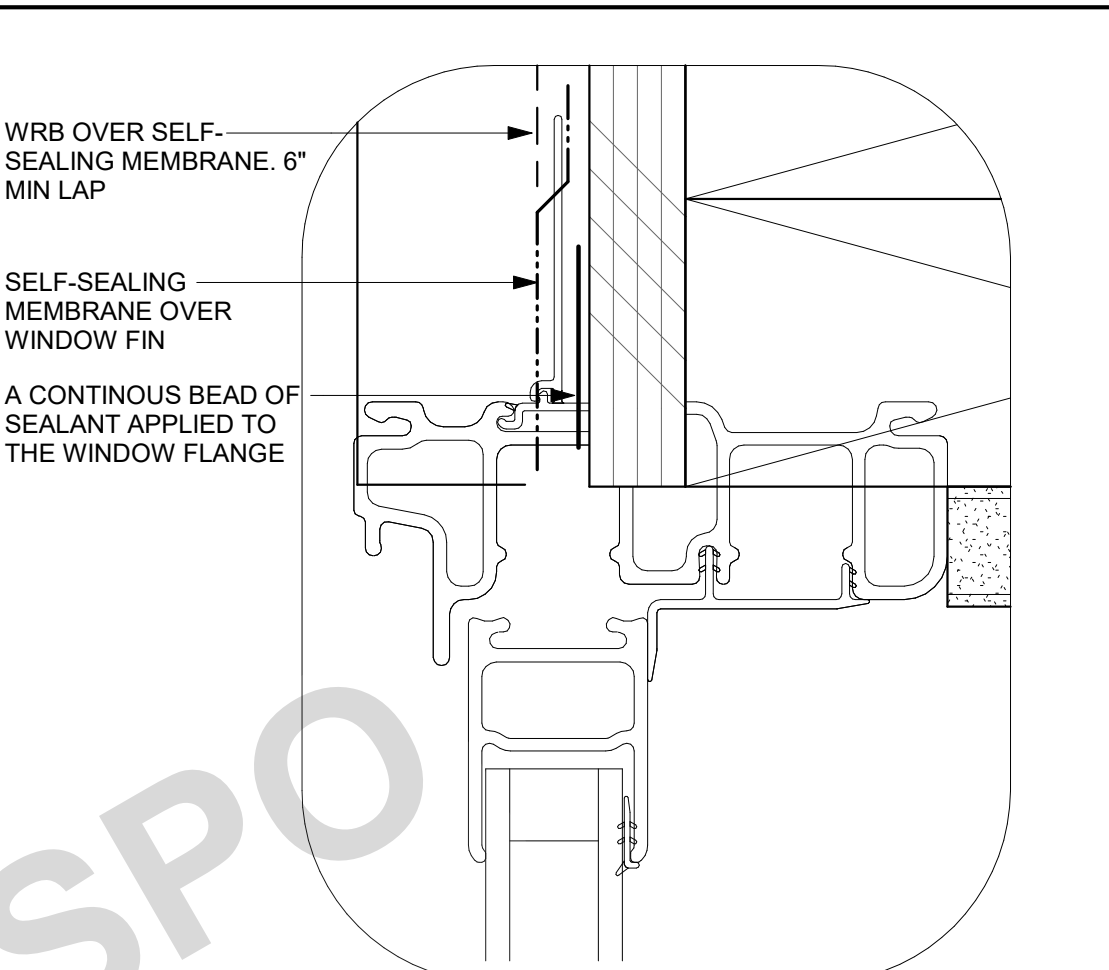
THESE PLANS ARE PROVIDED BY THE COUNTY OF SAN LUIS OBISPO AS PART OF THE PRE-APPROVED ADU PROGRAM AND ARE PUBLIC DOMAIN. THERE CANNOT BE A CHARGE TO PROVIDE THESE PLANS. NO ALTERATIONS TO THESE PLANS ARE ALLOWED. ALL ALTERATIONS MUST BE DONE UNDER A SEPARATE PERMIT ONCE THE BUILDING PERMIT FOR THE ADU HAS BEEN ISSUED AND FINAL INSPECTION COMPLETED. IF YOU DO NOT HAVE THE CONSTRUCTION KNOWLEDGE AND EXPERIENCE TO CONTRACT THESE PLANS WITHOUT FURTHER DETAILS, IT IS RECOMMENDED YOU HIRE A CONTRACTOR TO DO THE CONSTRUCTION. THE CITY WILL NOT PROVIDE FURTHER INFORMATION OR DETAILS AND BUILDING INSPECTORS WILL NOT PROVIDE STEP BY STEP INSTRUCTIONS IN THE FIELD.



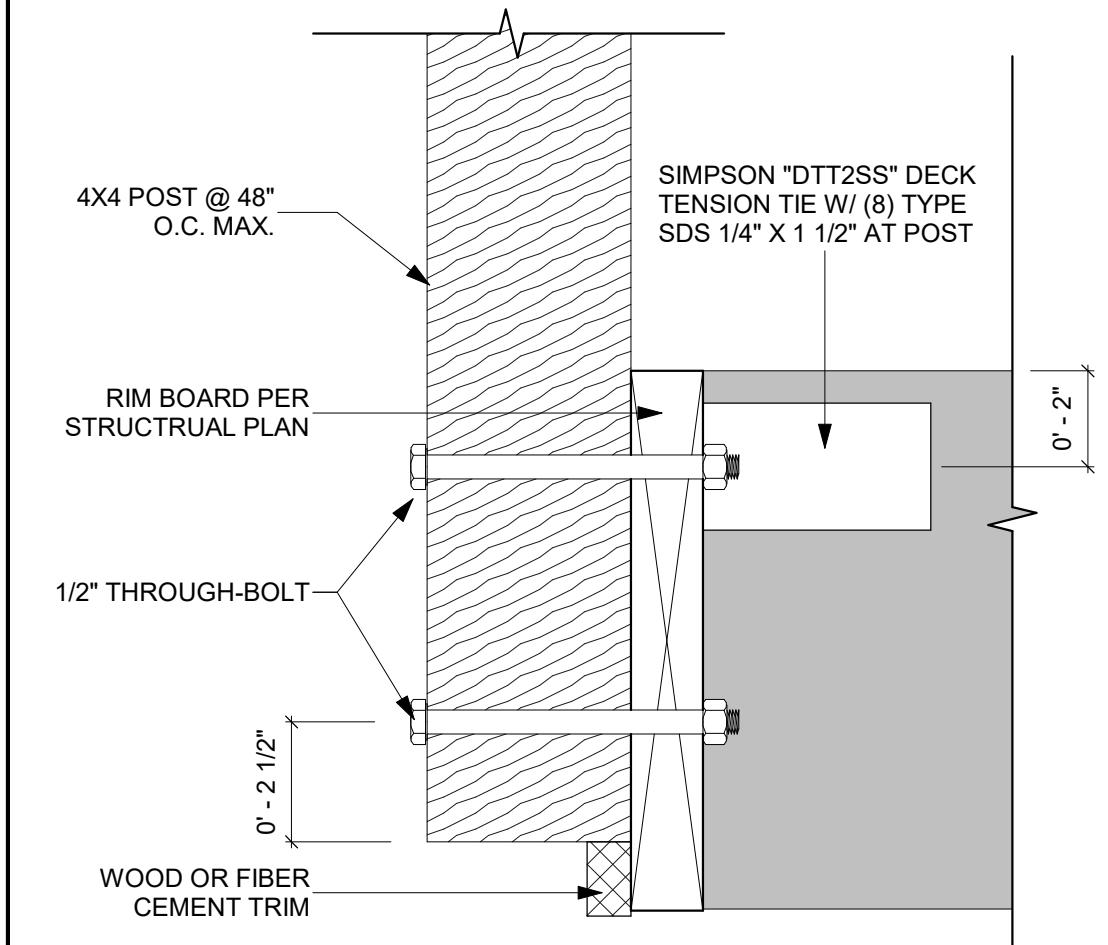
41 LOFT ACCESS LADDER
SCALE: 1/2" = 1'-0"



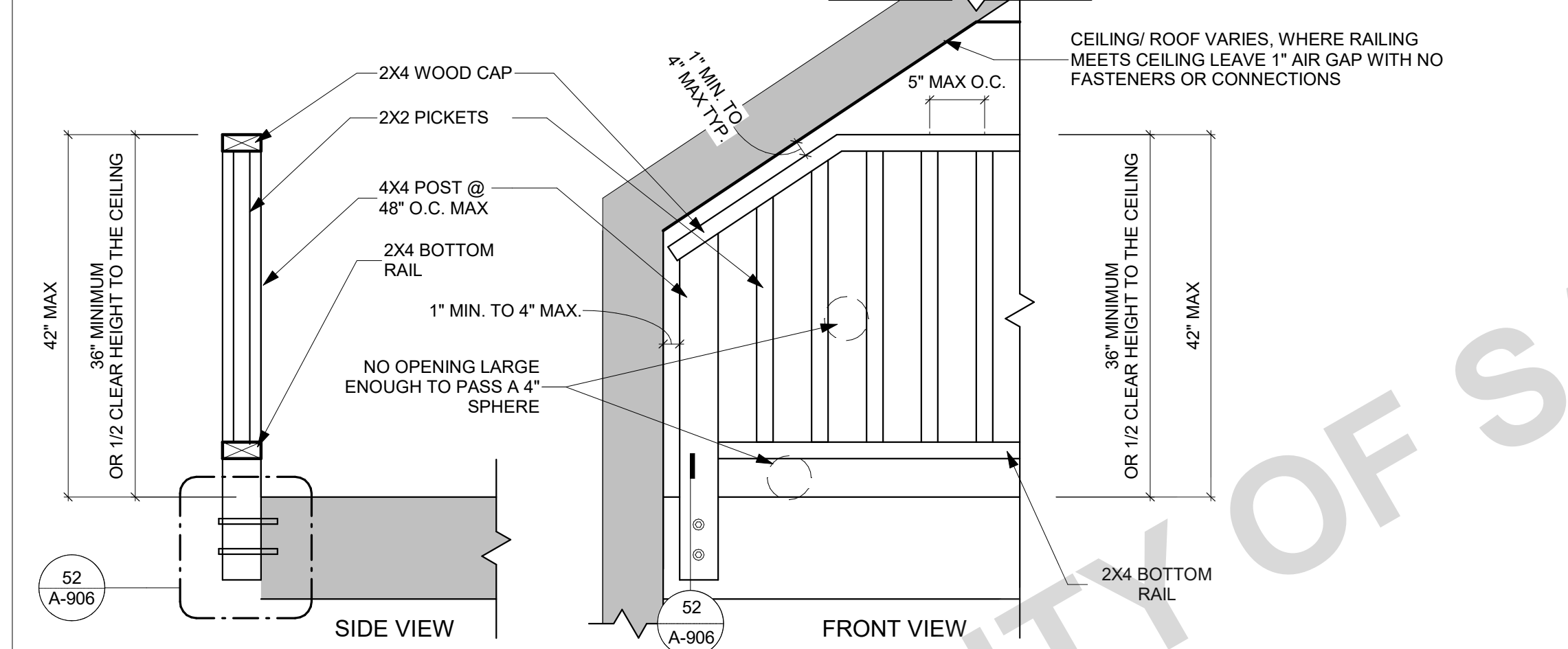
21 ROOF ASSEMBLY (1-HOUR) - LOFT
SCALE: 1" = 1'-0"



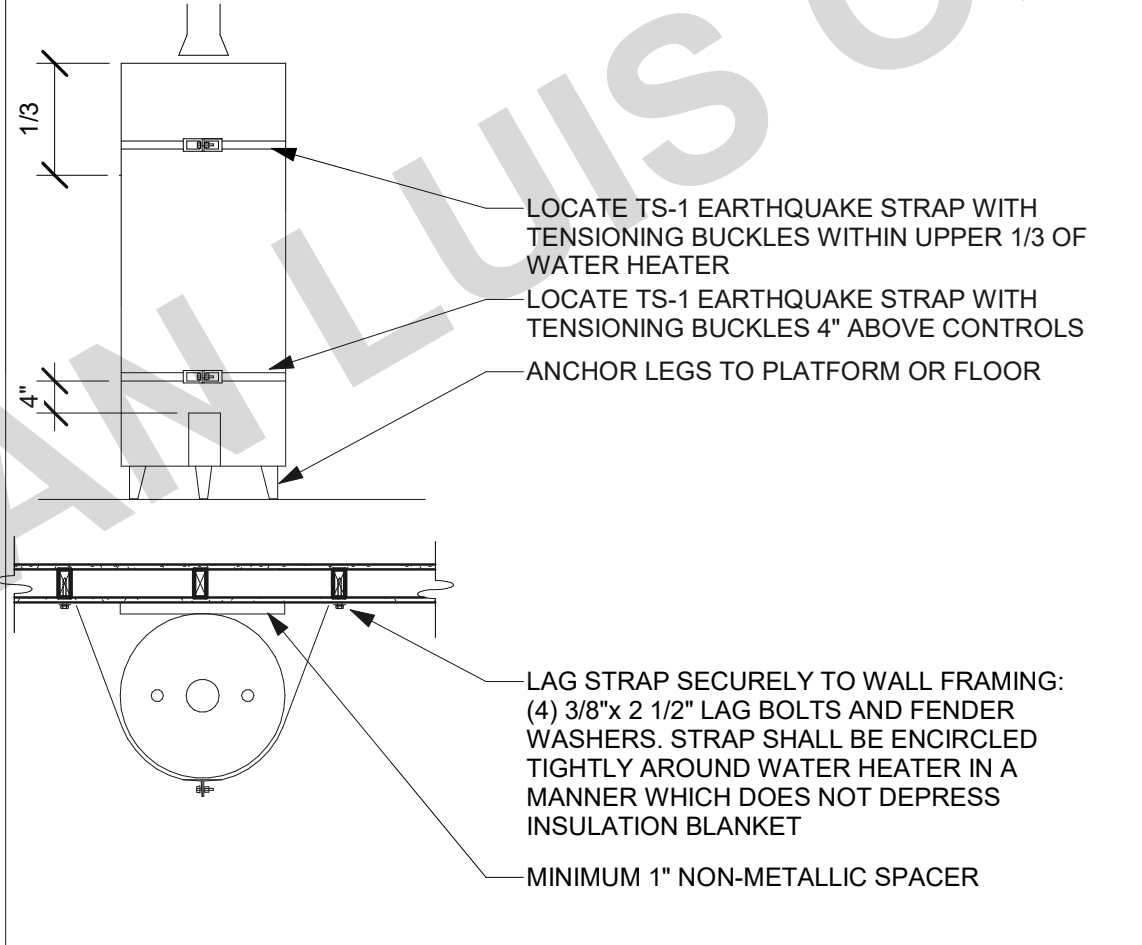
11 DETAILED HEAD FLASHING
SCALE: 12" = 1'-0"



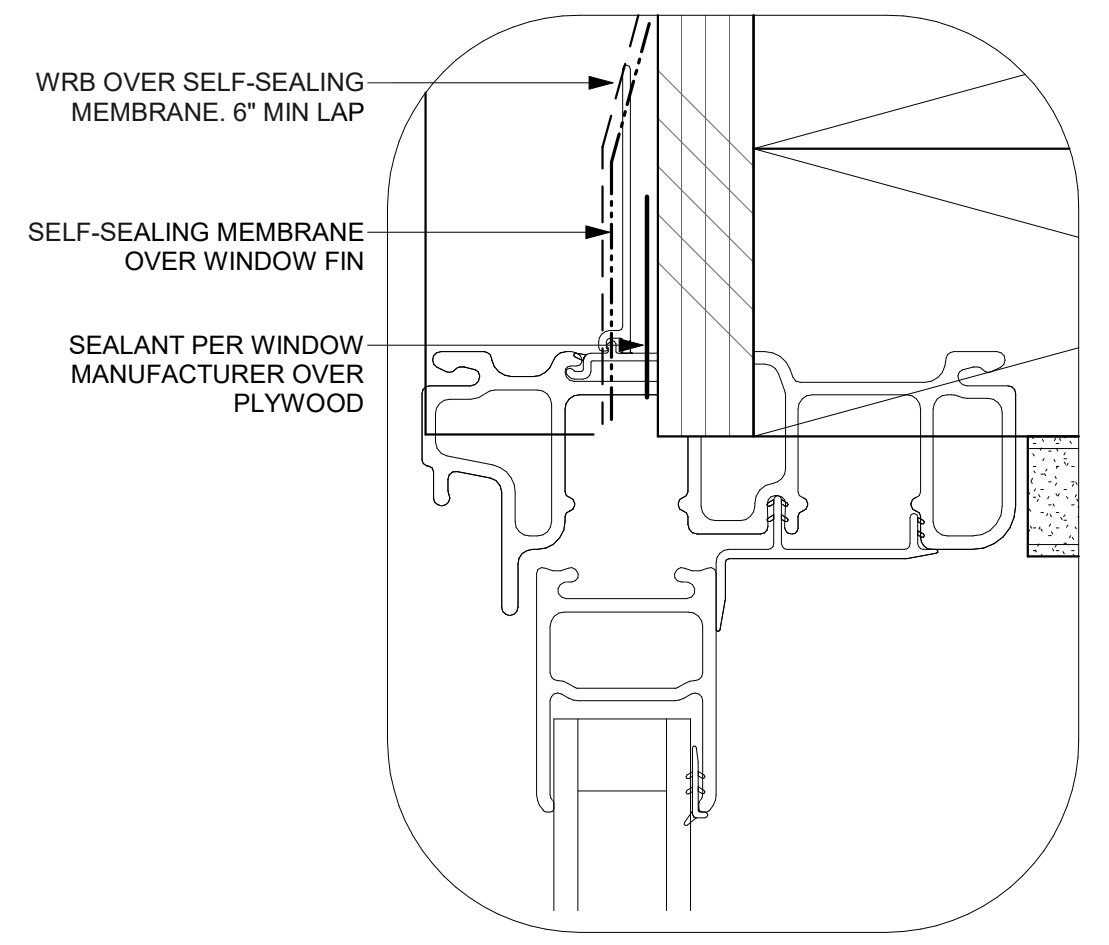
52 INT. RAILING CONNECTION DETAIL
SCALE: 3" = 1'-0"



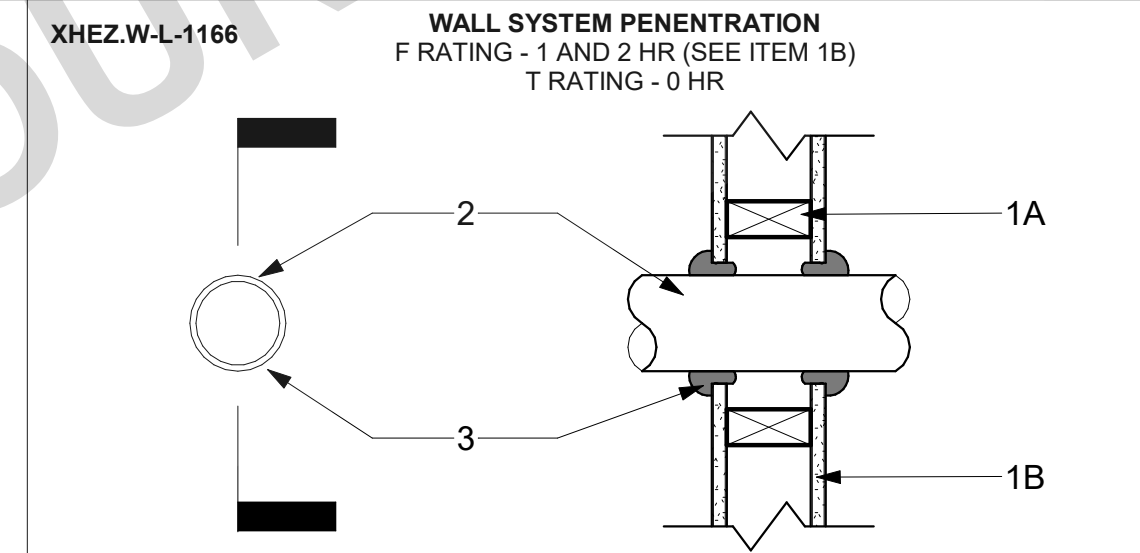
42 LOFT GUARDS
SCALE: 1" = 1'-0"



22 WATER HEATER MOUNTING - LOFT
SCALE: 12" = 1'-0"



12 DETAILED JAMB FLASHING
SCALE: 12" = 1'-0"

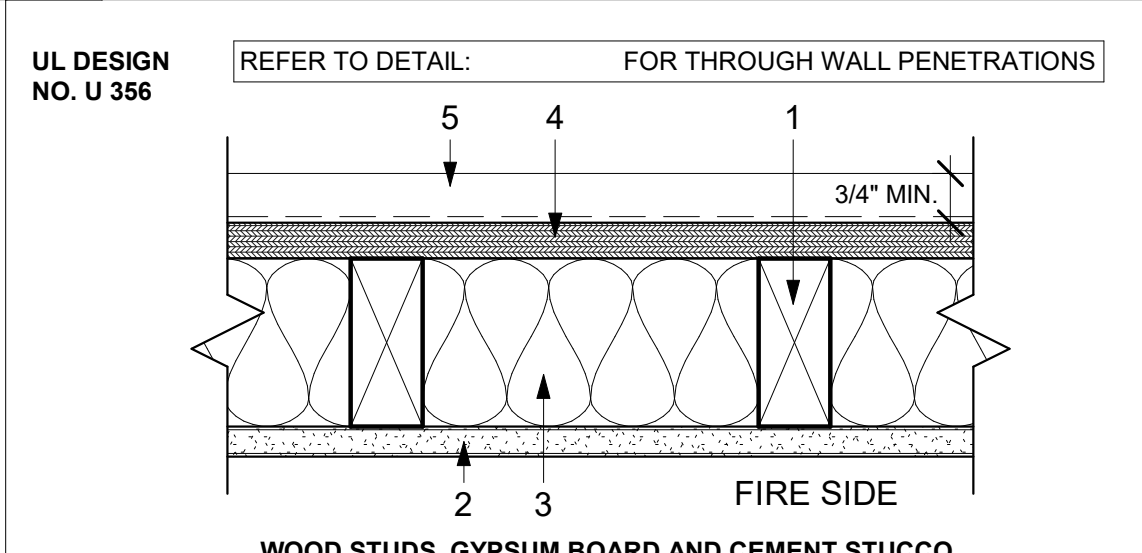


1. WALL ASSEMBLY
THE 1 OR 2 HR. FIRE RATED GYPSUM WALLBOARD/STUD WALL ASSEMBLY SHALL BE CONSTRUCTED OF THE MATERIALS AND IN THE MANNER SPECIFIED IN THE INDIVIDUAL U300 OR U400 SERIES WALL AND PARTITION DESIGNS IN THE UL FIRE RESISTANCE DIRECTORY AND SHALL INCLUDE THE FOLLOWING CONSTRUCTION FEATURES:
A. STUDS- WALL FRAMING MAY CONSIST OF EITHER WOOD STUDS OR STEEL CHANNEL STUDS. WOOD STUDS TO CONSIST OF NOM. 2 IN. BY 4 IN. LUMBER SPACED 16 IN. O.C. STEEL STUDS TO BE MIN. 3 1/2 IN. WIDE AND SPACED MAX. 24 IN. O.C.
B. GYPSUM BOARD (BEARING THE UL CLASSIFICATION MARKING)- THICKNESS, TYPE, NUMBER OF LAYERS AND FASTENERS AS REQUIRED IN THE INDIVIDUAL WALL AND PARTITION DESIGN. MAX. DIAM. OF OPENING IS 5 IN.
THE HOURLY F RATING OF THE FIRESTOP SYSTEM IS EQUAL TO THE HOURLY FIRE RATING OF THE WALL ASSEMBLY IN WHICH IT IS INSTALLED.

2. THROUGH- PENETRATIONS
ONE METALLIC PIPE, CONDUIT OR TUBING INSTALLED EITHER CONCENTRICALLY OR ECCENTRICALLY WITHIN THE FIRESTOP SYSTEM. THE ANNULAR SPACE BETWEEN THE PIPE, CONDUIT OR TUBING AND PERIPHERY OF THE OPENING SHALL BE MIN. OF 0 IN. (POINT CONTACT) TO A MAX. 1/8 IN. PIPE, CONDUIT OR TUBING TO BE RIGIDLY SUPPORTED ON BOTH SIDES OF WALL ASSEMBLY. THE FOLLOWING TYPES AND SIZES OF METALLIC PIPES, CONDUITS OR TUBING MAY BE USED:
A. COPPER TUBING- NOM. 4 IN. DIAM. (OR SMALLER) TYPE M (OR HEAVIER) COPPER TUBING.
B. COPPER PIPE- NOM. 4 IN. DIAM. (OR SMALLER) REGULAR (OR HEAVIER) COPPER PIPE.
C. STEEL PIPE- NOM. 4 IN. DIAM. (OR SMALLER) SCHEDULE 5 (OR HEAVIER) STEEL PIPE.
D. CONDUIT- NOM. 4 IN. DIAM. (OR SMALLER) STEEL ELECTRICAL METALLIC TUBING OR RIGID STEEL CONDUIT
E. IRON PIPE- NOM. 4 IN. DIAM. (OR SMALLER) CAST OR DUCTILE IRON PIPE.

3. FILL, VOID OR CAVITY MATERIALS (BEARING THE UL CLASSIFICATION MARKING) - CAULK OR PUTTY- MIN. 1/2 IN. DIAMETER BEAD CAULK OR PUTTY APPLIED CONTINUOUSLY AROUND THE PENETRANT ON THE WALL SURFACES ON BOTH SIDES OF THE WALL.
3M COMPANY - CP 25WB+ CAULK OR MPS-2+ PUTTY

34 THROUGH PENETRATION @ WALL - LOFT
SCALE: 1 1/2" = 1'-0"



1. WOOD STUDS
NOMINAL 2X4 SPACED 16" O.C. WITH (2) 2X4 TOP PLATES (1) 2X4 BOTTOM PLATE. STUDS LATERALLY-BRACED BY WOOD STRUCTURAL PANEL SHEATHING (ITEM 5) AND EFFECCTIVELY FIRE STOPPED AT TOP AND BOTTOM OF WALL.

2. GYPSUM BOARD
ANY CLASSIFIED 5/8" THICK, 48" WIDE, APPLIED VERTICALLY AND NAILED TO STUDS AND BEARING PLATES 7" O.C. WITH 6D CEMENT-COATED NAILS, 1 7/8" LONG WITH 1/4" DIAM. HEAD.
JOINTS AND NAILHEADS (NOT SHOWN) - WALLBOARD JOINTS COVERED WITH TAPE AND JOINT COMPOUND. NAIL HEADS COVERED WITH JOINT COMPOUND.

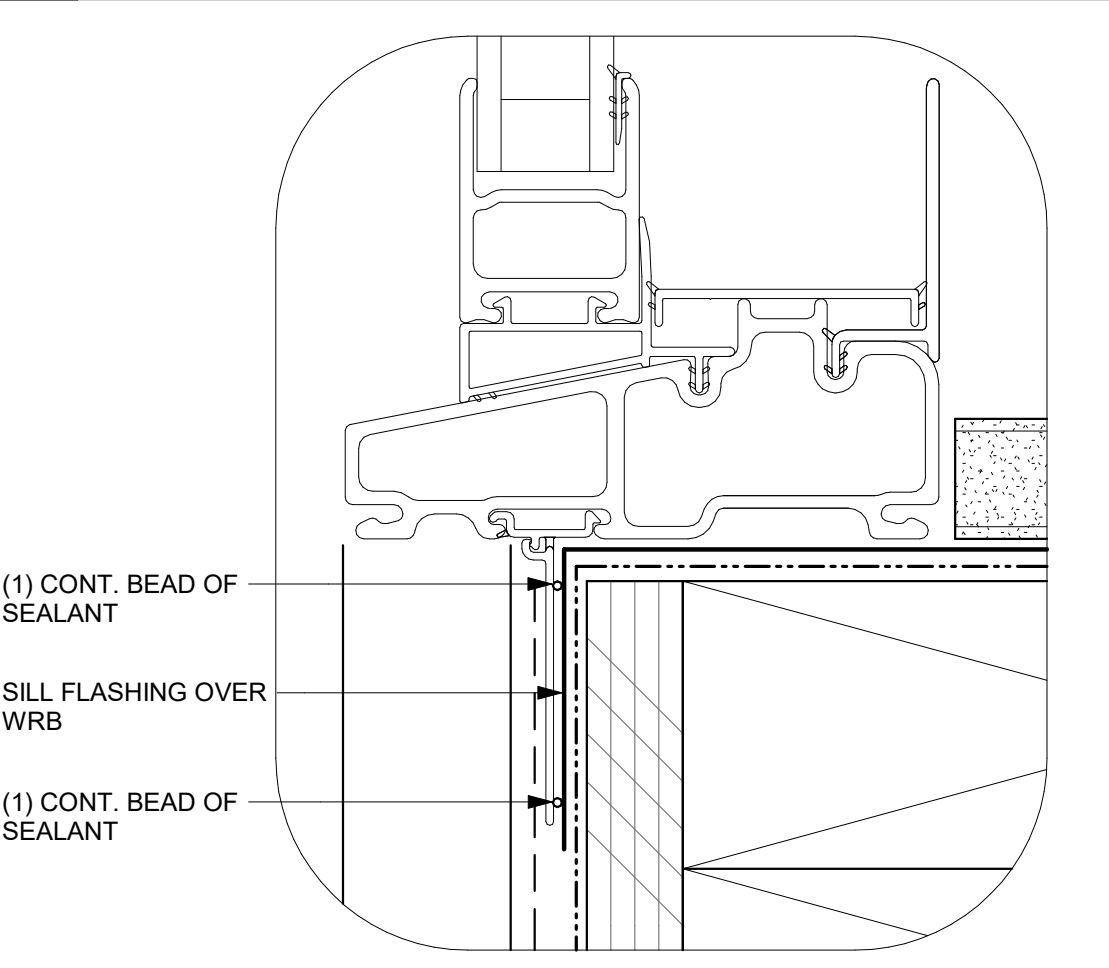
3. BATTS AND BLANKETS
MINERAL FIBER OR GLASS INSULATION, 3 1/2" THICK. PRESSURE FIT TO FILL WALL CAVITIES BETWEEN STUDS AND PLATES. MINERAL FIBER INSULATION TO BE UNFACED AND TO HAVE A MIN. DENSITY OF 3 PCF. GLASS FIBER INSULATION TO BE FACED WITH ALUMINUM FOIL OR FRAFT PAPER AND TO HAVE A MIN. DENSITY OF 0.9 PCF (MIN. R-13 THERMAL INSULATION RATING). FIBER SPRAYED - AS AN ALTERNATE TO BATTS AND BLANKETS (ITEM 4) - SPRAY APPLIED CELLULOSE INSULATION MATERIAL. THE FIBER IS APPLIED WITH WATER TO COMPLETELY FILL THE ENCLOSED CAVITY IN ACCORDANCE WITH THE APPLICATION INSTRUCTIONS SUPPLIED WITH THE PRODUCT. NOMINAL DRY DENSITY OF 3.0 LB/CU.FT.

4. WOOD STRUCTURAL PANEL SHEATHING
MIN 7/16" THICK, 4 FT. WIDE WOOD STRUCTURAL PANELS, MIN. GRADE "C-D" OR "SHEATHING". INSTALLED WITH LONG DIMENSION OF SHEET (STRENGTH AXIS) OR FACE GRAIN OF PLYWOOD PARALLEL WITH OR PERPENDICULAR TO STUDS. VERTICAL JOINTS CENTERED ON STUDS. HORIZONTAL JOINTS BACKED WITH NOMINAL 2X4 WOOD BLOCKING. ATTACHED TO STUDS ON EXTERIOR SIDE OF WALL WITH 6D CEMENT COATED BOX NAILS SPACED 6" O.C. AT PERIMETER OF PANELS AND 12" O.C. ALONG INTERIOR STUDS.

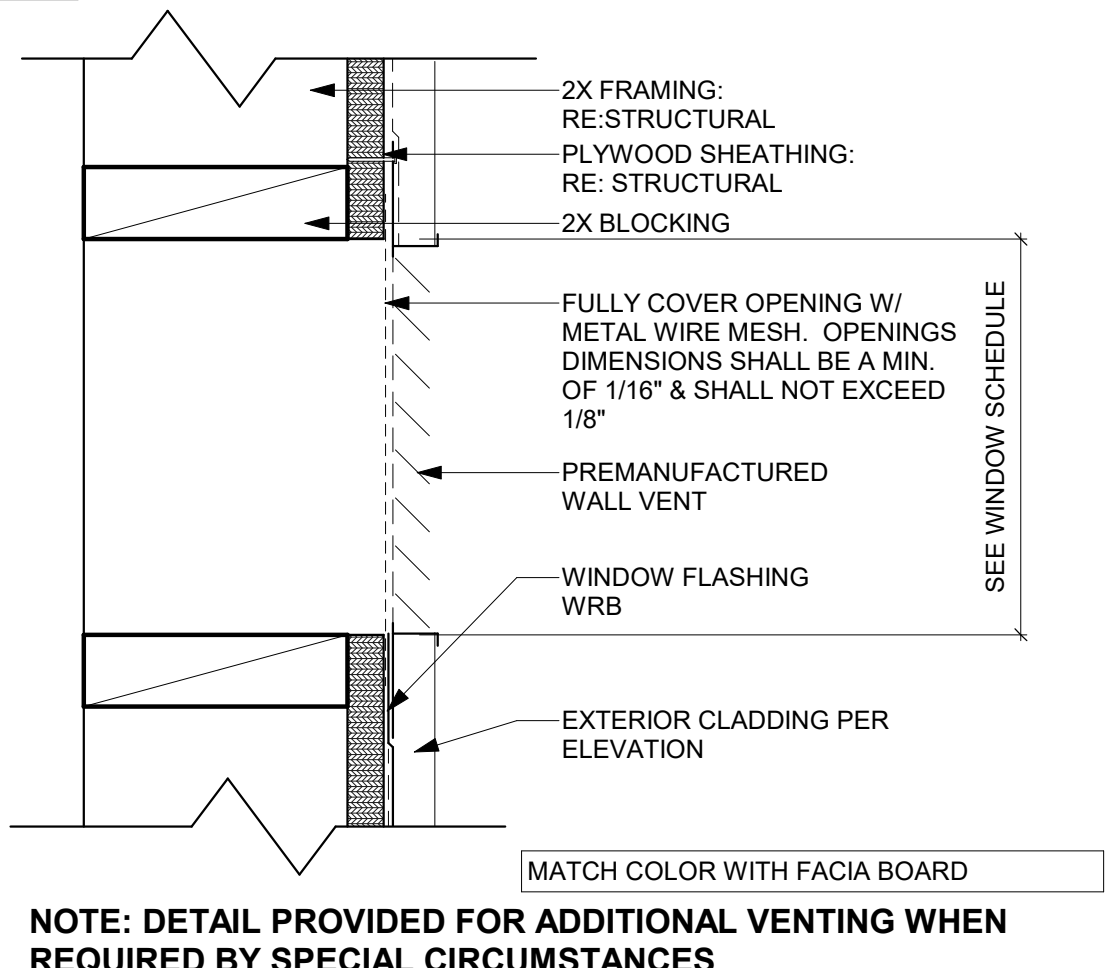
5. EXTERIOR FACING
INSTALLED IN ACCORDANCE WITH THE MANUFACTURER'S INSTALLATION INSTRUCTION. ONE OF THE FOLLOWING EXTERIOR FACINGS IS TO BE APPLIED OVER THE SHEATHING. REFER TO PLAN FOR INFOEMATION:
D. CEMENTITIOUS STUCCO - PORTLAND CEMENT OR SYNTHETIC STUCCO SYSTEM WITH SELF-FURRING METAL LATH OR ADHESIVE BASE COAT. THICKNESS FROM 3/8" TO 3/4", DEPENDING ON SYSTEM.
H. FIBER-CEMENT SIDING - FIBER-CEMENT EXTERIOR SIDING INCLUDING SMOOTH AND PATTERNED PANEL OR LAP SIDING.

UL DES U306
AT INTERIOR WALL USE:
5/8" SHEETROCK FIRECODE CORE PANELS,
5/8" SHEETROCK ULTRALIGHT PANELS FIRE CODE X OR
5/8" FIBEROCK PANELS -
2 X 4 WOOD STUD 16" OR 24" O.C.

24 1-HR EXTERIOR RATED WALL ASSEMBLY
SCALE: 3" = 1'-0"



13 DETAILED SILL FLASHING
SCALE: 12" = 1'-0"



14 WALL VENT - LOFT
SCALE: 3" = 1'-0"

COUNTY OF SAN LUIS OBISPO
ACCESSORY DWELLING UNIT
SAN LUIS OBISPO, CA
ARCHITECTURAL DETAILS - LOFT

DATE
11/28/2023
SHEET
A-906



THESE PLANS ARE PROVIDED BY THE COUNTY OF SAN LUIS OBISPO AS PART OF THE PRE-APPROVED ADU PROGRAM AND ARE PUBLIC DOMAIN. THERE CANNOT BE A CHARGE TO PROVIDE THESE PLANS. NO ALTERATIONS TO THESE PLANS ARE ALLOWED. ALL ALTERATIONS MUST BE DONE UNDER A SEPARATE PERMIT ONCE THE BUILDING PERMIT FOR THE ADU HAS BEEN ISSUED AND FINAL INSPECTION COMPLETED. IF YOU DO NOT HAVE THE CONSTRUCTION KNOWLEDGE AND EXPERIENCE TO CONTRUCT THESE PLANS WITHOUT FURTHER DETAILS, IT IS RECOMMENDED YOU HIRE A CONTRACTOR TO DO THE CONSTRUCTION. THE CITY WILL NOT PROVIDE FURTHER INFORMATION OR DETAILS AND BUILDING INSPECTORS WILL NOT PROVIDE STEP BY STEP INSTRUCTIONS IN THE FIELD.

HAMPTON BAY HURLEY MODERN MATTE BLACK OUTDOOR WALL LANTERN SCONCE (44833) OR EQUAL

LIGHT OPTION A

ROBERT STEVENSON LIGHTING - JAXON AGED TUSCAN OUTDOOR METAL AND SEEDY GLASS WALL SCONCE (EC1323C) OR EQUAL

LIGHT OPTION B

NOTE: ALL EXTERIOR LIGHTING MUST BE DARK SKY COMPLIANT PER ZONING REGULATIONS SECTION 17.70.100.

SIDING PER ELEVATIONS

PLYWOOD SHEATHING AND FRAMING PER STRUCTURAL

WATER RESISTIVE BARRIER PER CRC 703, LAP FLASHING

FLASHING PER CRC R703.4

WOOD DOOR SYSTEM

WOOD DOOR PANEL

HEAD

WALL FRAMING

SIDING PER ELEVATION

EXTRUDED ALUMINUM 1/2" REVEAL

CONTINUOUS WATER RESISTIVE BARRIER PER CRC 703

41 A-921

42 A-921

SEE SCHEDULE

SEE SCHEDULE

22 A-904

21 A-904

NOTE: REFER TO HEAD/JAMB/ SILL DETAILS FOR FLASHING AND MATERIAL TRANSITIONS

12 A-921

13 A-921

SEE SCHEDULE

SEE SCHEDULE

14 A-921

NOTE: REFER TO HEAD/JAMB/SILL DETAILS FOR FLASHING AND MATERIAL TRANSITIONS

51 LIGHT FIXTURE - LOFT

SCALE: 1 1/2" = 1'-0"

VERTICAL FURRING STRIPS

FIBER CEMENT PANEL

SIDING PER ELEVATION

WATER RESISTIVE BARRIER PER CRC 703.7.3, LAP FLASHING

FIBER CEMENT BOARD TRIM W/ CHAMFERED EDGES

ATTACHED HARDWARE, SIGNAGE OR DEVICE

41 DOOR HEAD - NO TRIM

SCALE: 3" = 1'-0"

SIDING PER ELEVATIONS

PLYWOOD SHEATHING AND FRAMING PER STRUCTURAL

WATER RESISTIVE BARRIER PER CRC R703

SEALANT

WOOD DOOR SYSTEM

WOOD DOOR PANEL

JAMB

31 ALUMINUM REGLET

SCALE: 3" = 1'-0"

WOOD BEAM, RE: STRUCTURAL

21 DOOR TRIM

SCALE: 3/4" = 1'-0"

SIDING PER ELEVATIONS, INSTALL PER MANUFACTURER'S RECOMMENDATIONS

INSULATION PER T24

WALL FRAMING

EXTRUDED ALUMINUM INSIDE CORNER PIECE

CONTINUOUS WATER RESISTIVE BARRIER PER CRC 703

11 WINDOW TRIM

SCALE: 3/4" = 1'-0"

PLYWOOD SHEATHING

WALL FRAMING & INSULATION PER T24

SIDING PER ELEVATIONS

WATER RESISTIVE BARRIER PER CRC 703, MIN. 6" LAP OVER FLASHING

FLASHING

WINDOW FLASHING, REFER TO DETAIL: 31 A-905

BACKER ROD AND SEALANT

WINDOW FIN

EXTENDED WINDOW JAMB

WINDOW

NOTE: ALL WINDOW FLASHING SHALL COMPLY WITH MANUFACTURER/INDUSTRY STANDARDS

52 MOUNTING PAD

SCALE: 3" = 1'-0"

POST PER PLANS, 6" O.C. MAX.

2X4 WOOD RAIL TYPICAL

3/8" LAG BOLT, COUNTERSINK AND PLUG.

42" MIN.

FRONT VIEW

SIDE VIEW

NOTE: PRIMER & 2 COATS OF EXTERIOR GRADE PAINT REQ. FOR ALL EXTERIOR LUMBER.

NOTE: FASTENER SIZE AND LOCATIONS PER STRUCTURAL.

42 DOOR JAMB - NO TRIM

SCALE: 3" = 1'-0"

WOOD POST, RE: STRUCTURAL

COLUMN BASE, RE: STRUCTURAL

SQUARE CONCRETE CURB WITH 1" CHAMFER AT TOP EDGE

MIN. SIZE, POST 4"

22 TYP. INSIDE CORNER-MODERN

SCALE: 3" = 1'-0"

SIDING PER ELEVATIONS, INSTALL PER MANUFACTURER'S RECOMMENDATIONS

CONTINUOUS WATER RESISTIVE BARRIER PER CRC 703

2" FINISH NAIL

EXTRUDED ALUMINUM OUTSIDE CORNER GUARD

SIDING PER ELEVATION, INSTALL PER MANUFACTURER'S RECOMMENDATIONS

12 TYP. WINDOW HEAD

SCALE: 3" = 1'-0"

PLYWOOD SHEATHING

WALL FRAMING & INSULATION PER T-24

SIDING PER ELEVATIONS

WATER RESISTIVE BARRIER PER CRC 703

WINDOW FLASHING, REFER TO DETAILS: 31 A-905, 32 A-905

WINDOW FIN

BACKER ROD AND SEALANT

EXTENDED WINDOW JAMB

WINDOW

NOTE: ALL WINDOW FLASHING SHALL COMPLY WITH MANUFACTURER/INDUSTRY STANDARDS

(TYP.) EXTERIOR WOOD ACCENT PROFILE OPTION B

SCALE: 3" = 1'-0"

2X BLOCKING AS NEEDED

WALL FRAMING & INSULATION PER T-24

SHEATHING PER STRUCTURAL

CONTINUOUS WATER RESISTIVE BARRIER

SIDING PER ELEVATIONS

LEAVE APPROPRIATE GAP AND CAULK

WIDTH TO MATCH ROOF PROFILE

FINISH TO MATCH FASCIA ABOVE

2X AS NEEDED, WITH WRB AND FLASHING TAPE

FIBER CEMENT BOARD

EXTRUDED ALUMINUM OUTSIDE CORNER GUARD, SIZE PER FIBER CEMENT SIDING SELECTION AND MANUFACTURER'S SPECIFICATIONS

WIDTH TO MATCH ROOF PROFILE

FINISH TO MATCH FASCIA ABOVE

NOTE: PRIMER & 2 COATS OF EXTERIOR GRADE PAINT REQ. FOR ALL EXTERIOR LUMBER.

(TYP.) FIBER CEMENT ACCENT PROFILE OPTION A

SCALE: 3" = 1'-0"

FRAMING PER STRUCT.

2X BLOCKING AS NEEDED

SIMILAR DETAIL AT BUILDING CORNERS

WALL FRAMING & INSULATION PER T-24

SHEATHING PER STRUCTURAL

CONTINUOUS WATER RESISTIVE BARRIER

SIDING PER ELEVATIONS

LEAVE APPROPRIATE GAP AND CAULK

WIDTH TO MATCH ROOF PROFILE

FINISH TO MATCH FASCIA ABOVE

2X AS NEEDED, WITH WRB AND FLASHING TAPE

FIBER CEMENT BOARD

EXTRUDED ALUMINUM OUTSIDE CORNER GUARD, SIZE PER FIBER CEMENT SIDING SELECTION AND MANUFACTURER'S SPECIFICATIONS

WIDTH TO MATCH ROOF PROFILE

FINISH TO MATCH FASCIA ABOVE

NOTE: PRIMER & 2 COATS OF EXTERIOR GRADE PAINT REQ. FOR ALL EXTERIOR LUMBER.

33 POST - LOFT

SCALE: 3" = 1'-0"

FIBER CEMENT SIDING, FURRING MEMBERS PLACED TO MEET SIDING REQUIREMENTS PER MANUFACTURER'S SPECIFICATIONS

2X FURRING

WRAP EXTERIOR WALL WITH CONTINUOUS WATER RESISTIVE BARRIER PER CRC 703

FRAMING AND SHEATHING PER STRUCTURAL

HORIZONTAL 2X T&G; SEE MATERIALS SCHEDULE FOR PRODUCT INFORMATION

SIDING PER ELEVATION.

WIDTH TO MATCH

ROOF PROFILE DEPTH

EXTRUDED ALUMINUM OUTSIDE CORNER GUARD, SIZE PER FIBER CEMENT SIDING SELECTION AND MANUFACTURER'S SPECIFICATIONS

1 1/2" MIN.

2" MAX PER SIDING REQ.

NOTE: PRIMER & 2 COATS OF EXTERIOR GRADE PAINT REQ. FOR ALL EXTERIOR LUMBER.

NOTE: FASTENER SIZE AND LOCATIONS PER STRUCTURAL. FOR ADDITIONAL HARDWARE INFORMATION, REFER TO MANUFACTURER'S RECOMMENDATIONS.

NOTE: INSTALL ROOFING & SOFFIT COMPONENTS PER MANUFACTURER'S RECOMMENDATIONS.

23 TYP. OUTSIDE CORNER

SCALE: 3" = 1'-0"

SIDING PER ELEVATION

2X FURRING

WRAP EXTERIOR WALL WITH CONTINUOUS WATER RESISTIVE BARRIER PER CRC 703

FRAMING AND SHEATHING PER STRUCTURAL

HORIZONTAL 2X T&G; SEE MATERIALS SCHEDULE FOR PRODUCT INFORMATION

SIDING PER ELEVATION.

WIDTH TO MATCH

ROOF PROFILE DEPTH

EXTRUDED ALUMINUM OUTSIDE CORNER GUARD, SIZE PER FIBER CEMENT SIDING SELECTION AND MANUFACTURER'S SPECIFICATIONS

1 1/2" MIN.

2" MAX PER SIDING REQ.

NOTE: PRIMER & 2 COATS OF EXTERIOR GRADE PAINT REQ. FOR ALL EXTERIOR LUMBER.

NOTE: FASTENER SIZE AND LOCATIONS PER STRUCTURAL. FOR ADDITIONAL HARDWARE INFORMATION, REFER TO MANUFACTURER'S RECOMMENDATIONS.

NOTE: INSTALL ROOFING & SOFFIT COMPONENTS PER MANUFACTURER'S RECOMMENDATIONS.

13 TYP. WINDOW JAMB

SCALE: 3" = 1'-0"

WINDOW

A CONTINUOUS BEAD OF SEALANT APPLIED TO THE WINDOW FLANGE

FIBER CEMENT TRIM, 1 1/2" MIN., 6" MAX.

1 1/2" MIN.

WINDOW FLASHING REFER TO DETAILS: 31 A-905, 32 A-905

WATER RESISTIVE BARRIER PER CRC 703

PLYWOOD SHEATHING

WALL FRAMING, INSULATION PER TITLE 24

SIDING PER ELEVATIONS

NOTE: ALL WINDOW FLASHING SHALL COMPLY WITH MANUFACTURER/INDUSTRY STANDARDS AAMA 2400-02

54 PORCH ACCENT PROFILE

SCALE: 3" = 1'-0"

43 DECORATIVE PORCH RAILING

SCALE: 1" = 1'-0"

34 PORCH ACCENT WALL

SCALE: 3" = 1'-0"

21 DOOR TRIM

SCALE: 3/4" = 1'-0"

14 TYP. WINDOW SILL

SCALE: 3" = 1'-0"

COUNTY OF SAN LUIS OBISPO
ACCESSORY DWELLING UNIT
SAN LUIS OBISPO, CA

ARCHITECTURAL DETAILS - LOFT

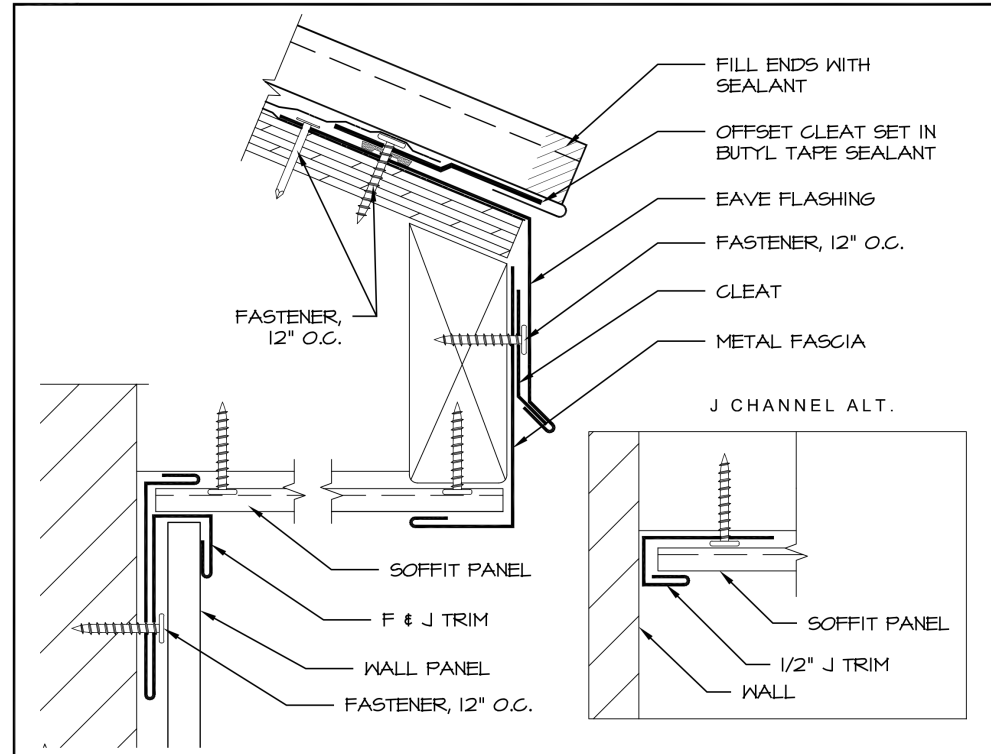
DATE
11/28/2023

SHEET

A-921.

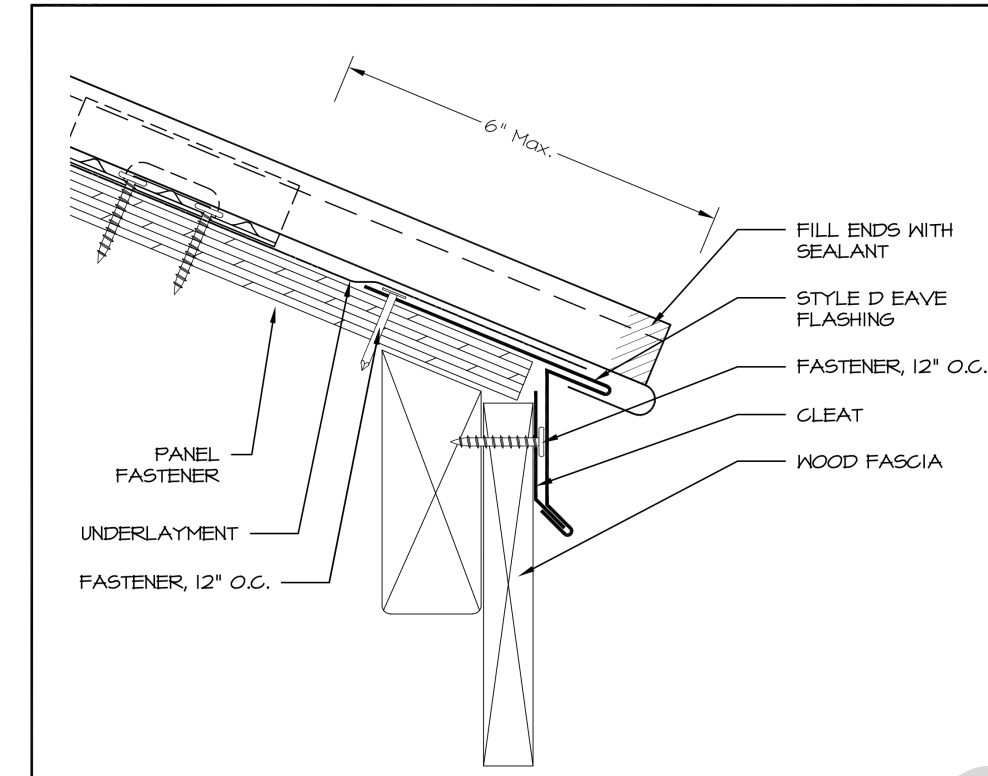
1/28/2023 10:34:24 AM
C:\Users\jca\Documents\22727-01_SLO County ADU_CD_CENTRAL_2022_jca\REV1\1.rvt

FOR USE IN THE COUNTY OF SAN LUIS OBISPO



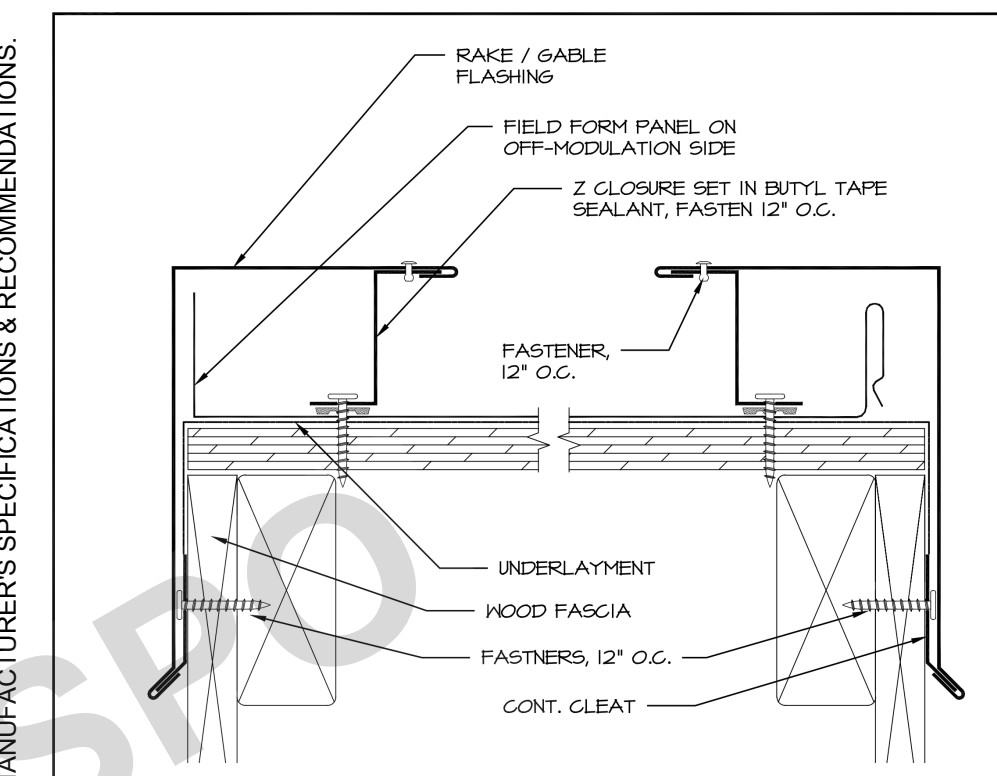
NOTES:
 1. Place either F&J or 1/2" J Trim on wall of the building.
 2. Make sure that the F&J or 1/2" J Trim is parallel with upper fascia.
 3. Once F&J or 1/2" J Trim is installed either install wall panels or soffit panel.

DISCLAIMER: BRIDGER STEEL DETAILS INCLUDED FOR REFERENCE ONLY. INSTALL ALL COMPONENTS PER SELECTED MANUFACTURER'S SPECIFICATIONS & RECOMMENDATIONS.



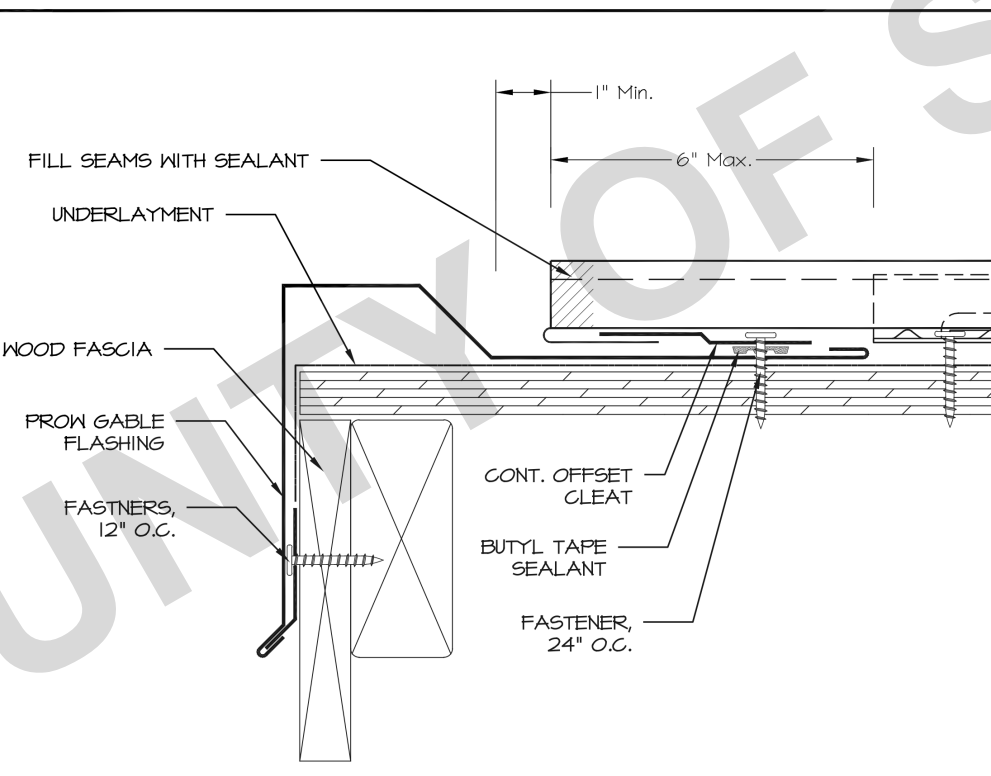
NOTES:
 1. Install continuous cleat along fascia.
 2. Install eave trim hooking onto drip edge.
 3. Nail upper flange of eave flange to roof deck 12" o.c.
 4. Apply underlayment over top of rafter flange.
 5. Notch upper roof panel 1" and form around style D eave.

DISCLAIMER: BRIDGER STEEL DETAILS INCLUDED FOR REFERENCE ONLY. INSTALL ALL COMPONENTS PER SELECTED MANUFACTURER'S SPECIFICATIONS & RECOMMENDATIONS.



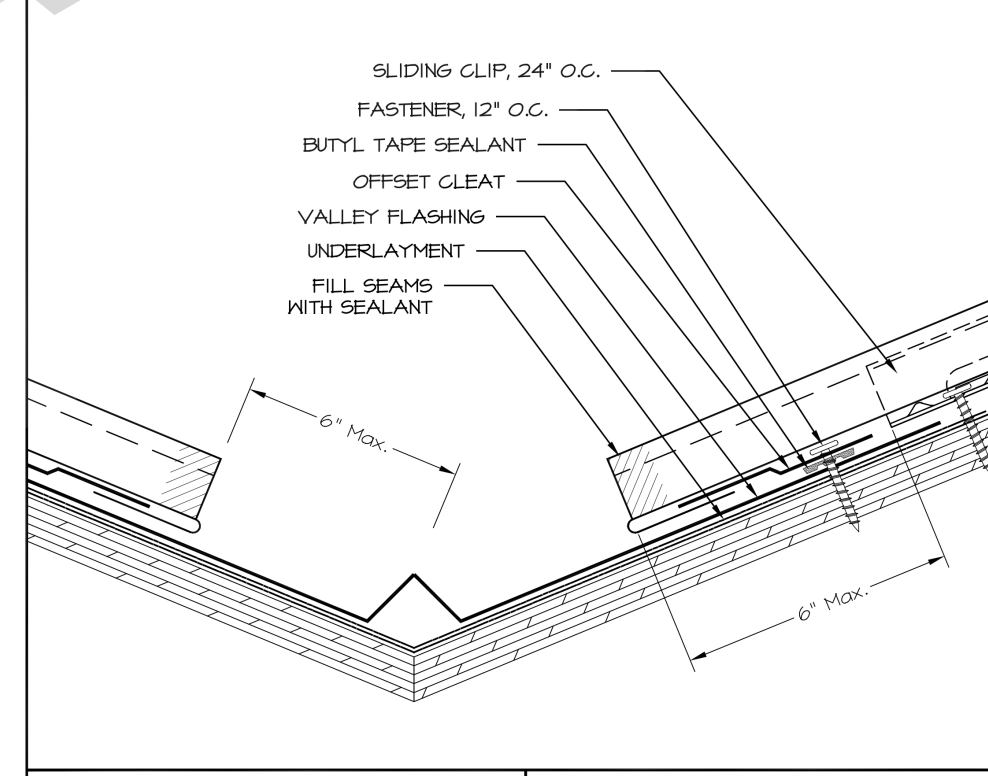
NOTES:
 1. Run panels across roof deck cutting and field bending last panel to fit.
 2. Install Z closure in continuous butyl tape along rake/gable edge on top of roof panel.
 3. Install continuous cleat along fascia.
 4. Install rake/gable trim hooking onto cleat.
 5. Install rake/gable on Z closure fastening 12" o.c.

DISCLAIMER: BRIDGER STEEL DETAILS INCLUDED FOR REFERENCE ONLY. INSTALL ALL COMPONENTS PER SELECTED MANUFACTURER'S SPECIFICATIONS & RECOMMENDATIONS.



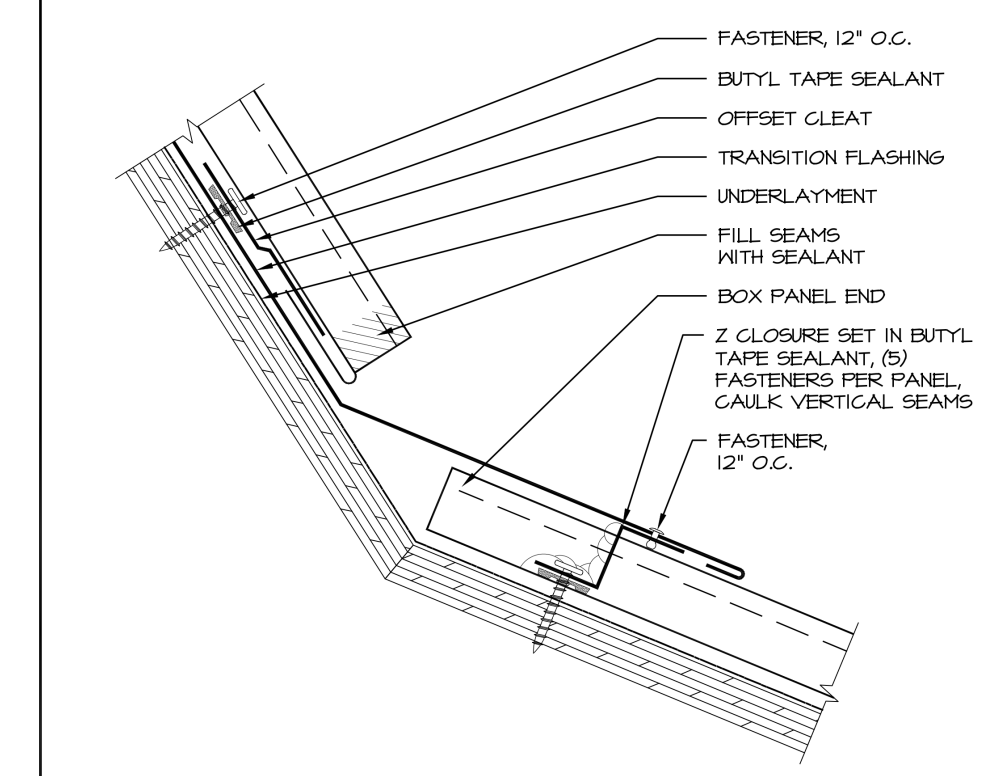
NOTES:
 1. Install underlayment over edge of pron gable.
 2. Lay pron gable trim down and fasten 2" from the outside edge every 12" o.c.
 3. Apply universal closure under panel leaving panel 1" from flashing closure. Install offset cleat.
 5. Notch panels 1" and form around offset cleat.

DISCLAIMER: BRIDGER STEEL DETAILS INCLUDED FOR REFERENCE ONLY. INSTALL ALL COMPONENTS PER SELECTED MANUFACTURER'S SPECIFICATIONS & RECOMMENDATIONS.



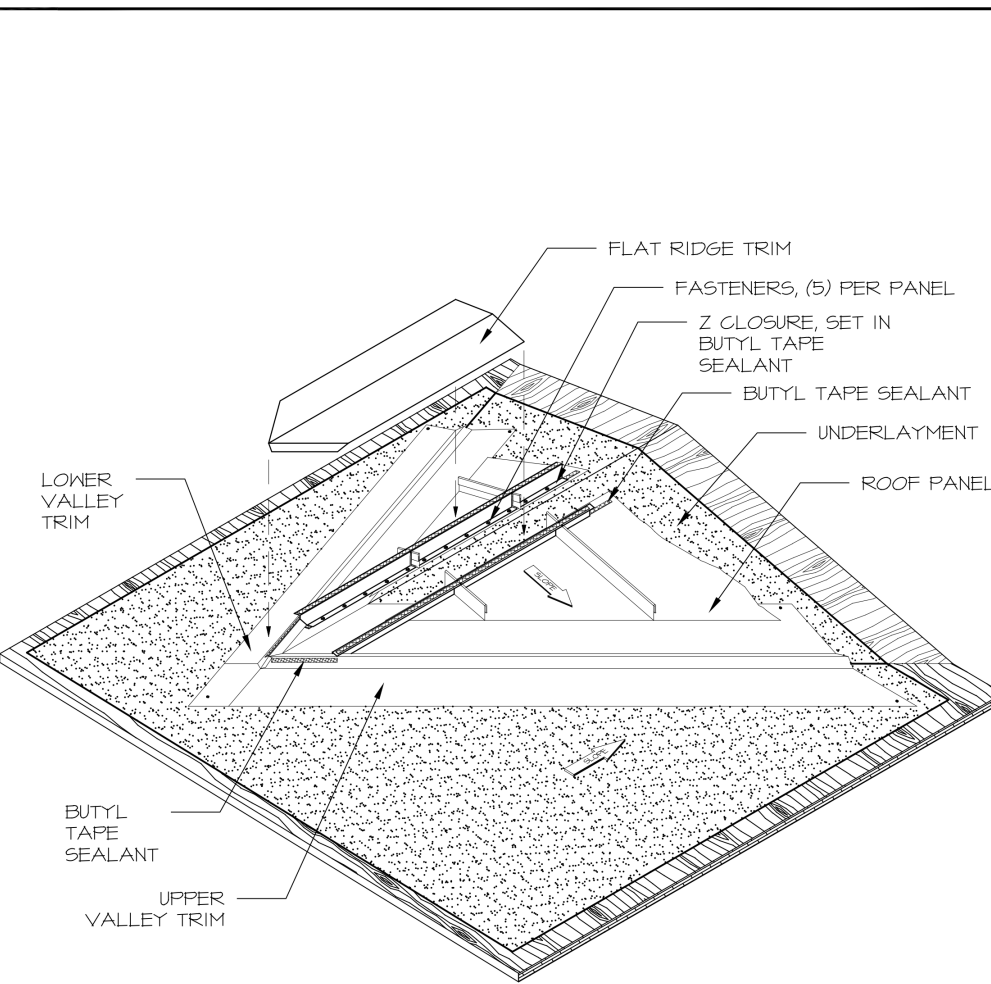
NOTES:
 1. Install underlayment in bottom of the valley.
 2. Lay valley panel down and fasten 2" from the outside edge every 12" o.c.
 3. Apply second layer of underlayment over outer edge of valley approximately 3" down on both sides of the valley.
 4. Install offset cleats on both sides of valley.
 5. Notch panels 1" and form around offset cleat.

DISCLAIMER: BRIDGER STEEL DETAILS INCLUDED FOR REFERENCE ONLY. INSTALL ALL COMPONENTS PER SELECTED MANUFACTURER'S SPECIFICATIONS & RECOMMENDATIONS.



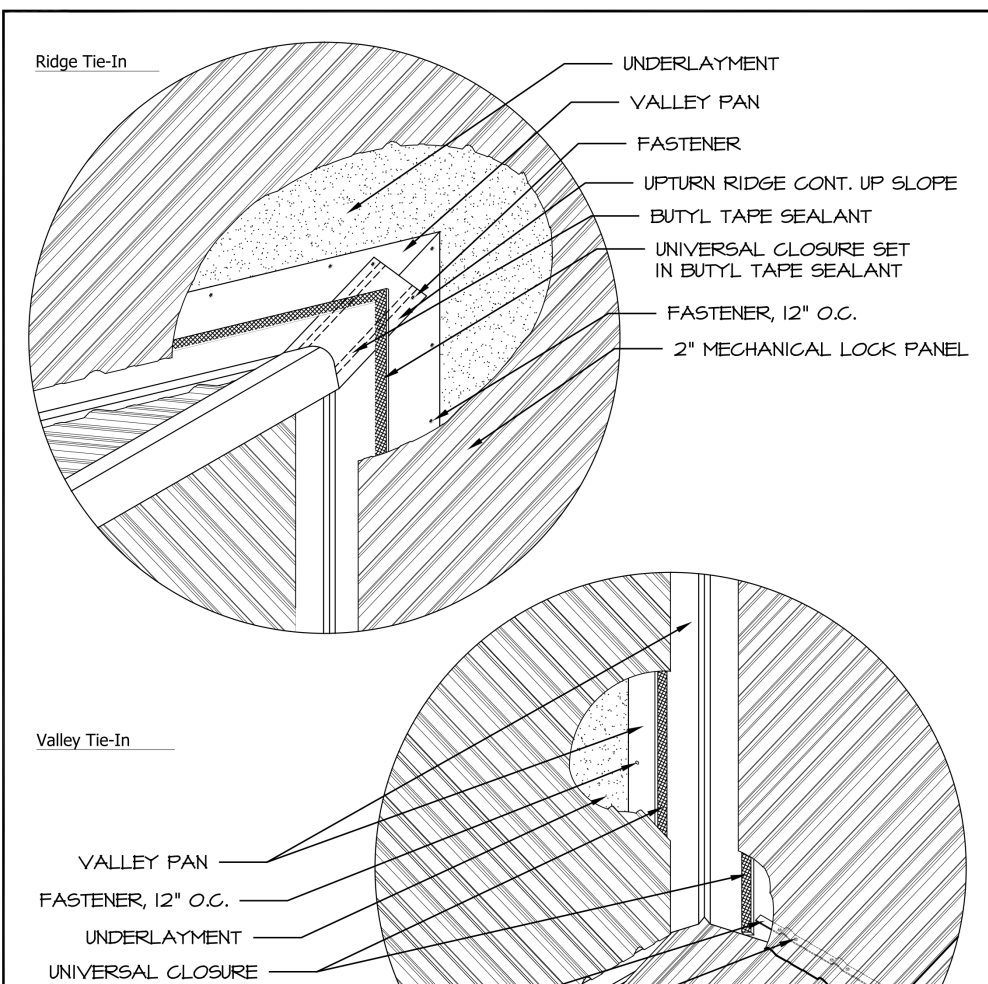
NOTES:
 1. Install lower roof panels.
 2. Install Z closures to lower roof panels.
 3. Install High/Low Transition over Z closure, make sure the transition covers closure. Fasten 12" o.c.
 4. Fasten upper leg of transition every 12".
 5. Install offset cleat on upper leg of transition.
 6. Notch upper roof panel 1" and form around offset cleat.

DISCLAIMER: BRIDGER STEEL DETAILS INCLUDED FOR REFERENCE ONLY. INSTALL ALL COMPONENTS PER SELECTED MANUFACTURER'S SPECIFICATIONS & RECOMMENDATIONS.



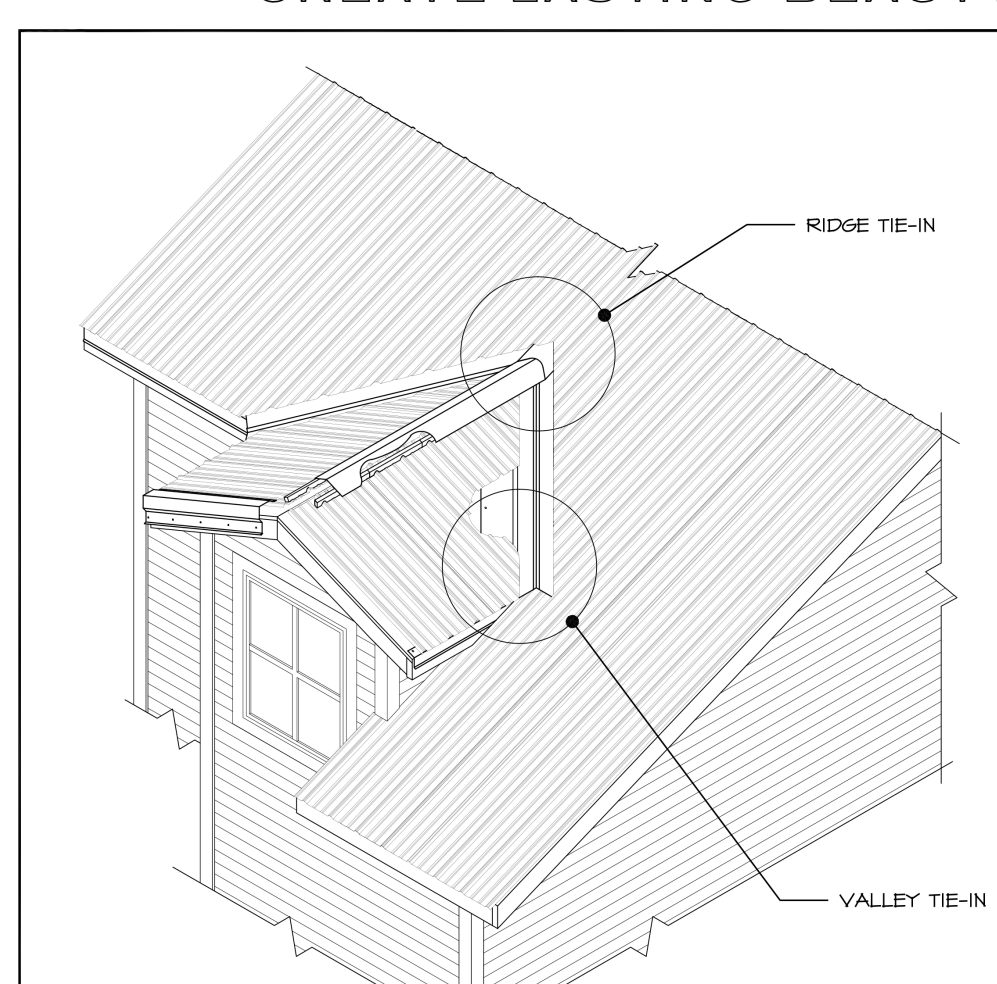
NOTES:
 1. Install underlayment over edge of pron gable.
 2. Lay pron gable trim down and fasten 2" from the outside edge every 12" o.c.
 3. Apply universal closure under panel leaving panel 1" from flashing closure. Install offset cleat.
 5. Notch panels 1" and form around offset cleat.

DISCLAIMER: BRIDGER STEEL DETAILS INCLUDED FOR REFERENCE ONLY. INSTALL ALL COMPONENTS PER SELECTED MANUFACTURER'S SPECIFICATIONS & RECOMMENDATIONS.



NOTES:
 1. Install underlayment in bottom of the valley.
 2. Lay valley panel down and fasten 2" from the outside edge every 12" o.c.
 3. Apply second layer of underlayment over outer edge of valley approximately 3" down on both sides of the valley.
 4. Install offset cleats on both sides of valley.
 5. Notch panels 1" and form around offset cleat.

DISCLAIMER: BRIDGER STEEL DETAILS INCLUDED FOR REFERENCE ONLY. INSTALL ALL COMPONENTS PER SELECTED MANUFACTURER'S SPECIFICATIONS & RECOMMENDATIONS.



NOTES:
 1. Install underlayment over edge of pron gable.
 2. Lay pron gable trim down and fasten 2" from the outside edge every 12" o.c.
 3. Apply universal closure under panel leaving panel 1" from flashing closure. Install offset cleat.
 5. Notch panels 1" and form around offset cleat.

DISCLAIMER: BRIDGER STEEL DETAILS INCLUDED FOR REFERENCE ONLY. INSTALL ALL COMPONENTS PER SELECTED MANUFACTURER'S SPECIFICATIONS & RECOMMENDATIONS.



THESE PLANS ARE PROVIDED BY THE COUNTY OF SAN LUIS OBISPO AS PART OF THE PRE-APPROVED ADU PROGRAM AND ARE PUBLIC DOMAIN. THERE CANNOT BE A CHARGE TO PROVIDE THESE PLANS. NO ALTERATIONS TO THESE PLANS ARE ALLOWED. ALL ALTERATIONS MUST BE DONE UNDER A SEPARATE PERMIT ONCE THE BUILDING PERMIT FOR THE ADU HAS BEEN ISSUED AND FINAL INSPECTION COMPLETED. IF YOU DO NOT HAVE THE CONSTRUCTION KNOWLEDGE AND EXPERIENCE TO CONTRUCT THESE PLANS WITHOUT FURTHER DETAILS, IT IS RECOMMENDED YOU HIRE A CONTRACTOR TO DO THE CONSTRUCTION. THE CITY WILL NOT PROVIDE FURTHER INFORMATION OR DETAILS AND BUILDING INSPECTORS WILL NOT PROVIDE STEP BY STEP INSTRUCTIONS IN THE FIELD.

COUNTY OF SAN LUIS OBISPO
 ACCESSORY DWELLING UNIT
 SAN LUIS OBISPO, CA

METAL ROOF DETAIL REFERENCES

DATE
 11/28/2023

SHEET
 A-941.



THESE PLANS ARE PROVIDED BY THE COUNTY OF SAN LUIS OBISPO AS PART OF THE PRE-APPROVED ADU PROGRAM AND ARE PUBLIC DOMAIN. THERE CANNOT BE A CHARGE TO PROVIDE THESE PLANS. NO ALTERATIONS TO THESE PLANS ARE ALLOWED. ALL ALTERATIONS MUST BE DONE UNDER A SEPARATE PERMIT ONCE THE BUILDING PERMIT FOR THE ADU HAS BEEN ISSUED AND FINAL INSPECTION COMPLETED. IF YOU DO NOT HAVE THE CONSTRUCTION KNOWLEDGE AND EXPERIENCE TO CONSTRUCT THESE PLANS WITHOUT FURTHER DETAILS, IT IS RECOMMENDED YOU HIRE A CONTRACTOR TO DO THE CONSTRUCTION. THE CITY WILL NOT PROVIDE FURTHER INFORMATION OR DETAILS AND BUILDING INSPECTORS WILL NOT PROVIDE STEP BY STEP INSTRUCTIONS IN THE FIELD.

SYMBOLS

WALL TYPES

SHEET INDEX

	DETAIL REFERENCE BUBBLE WITH LEADER		INDICATES SHEAR WALL TYPE AND LENGTH. PER SHEAR WALL SCHEDULE		INDICATES TOP PLATE SPLICE NAILING PER SCHEDULE
	DETAIL REFERENCE BUBBLE		INDICATES SPAN AND DIRECTION OF PREFABRICATED ROOF TRUSS (BY OTHERS)		INDICATES SHEAR WALL STRAP / HOLD-DOWN TYPE PER SCHEDULE
	FULL HEIGHT SECTION INDICATOR		INDICATES SPAN AND DIRECTION OF ROOF RAFTER OR FLOOR JOIST WITH WEB STIFFENER		INDICATES PAD FOOTING TYPE PER SCHEDULE
	ELEVATION OF WALL OR FRAME		INDICATES SPAN AND DIRECTION OF ROOF RAFTER OR FLOOR JOIST		INDICATES CONTINUOUS FOOTING TYPE PER SCHEDULE
	NORTH ARROW		INDICATES HEADER @ OPENING PER HEADER SCHEDULE		ANGLE BRACE
	TOP/BOTTOM OF ELEVATIONS		EARTH LAYER		DOUBLE ANGLE BRACE
	SLOPE		INDICATES SAND OR GROUT		DRAG STRUT CONNECTION
	WELDED WIRE FABRIC (WWF LAYER)		INDICATES GRAVEL		FULL HEIGHT STIFFENER CONNECTION
	STEPPED SURFACE: FLOOR DEPRESSION		STEEL IN CROSS SECTION		MOMENT CONNECTION
	SLOPED SURFACE		INDICATES BEARING WALL		MEMBER SPLICE
	STEPPED FOOTING		SHADED AREA INDICATES CALIFORNIA FRAMING		TOP OF STEEL ± ELEVATION
	BOTTOM STEPPED FOOTING		SHADED AREA INDICATES FOOTPRINT OF FLOOR ABOVE		NUMBER OF EVENLY SPACED SHEAR STUDS
			STEEL HSS TUBE COLUMN		SPECIAL STUD SPACING SEE TYPICAL STEEL DETAILS
			STEEL HSS OR PIPE COLUMN		BEAM CAMBER AT MID-SPAN
			WIDE FLANGE STEEL COLUMN		
			WOOD POST		

	INDICATES PLYWOOD SIDE FOR SHEARWALL
	INDICATES BEARING WOOD WALL BELOW
	INDICATES BEARING WOOD WALL ABOVE
	INDICATES NON-BEARING WOOD WALL BELOW
	INDICATES NON-BEARING WOOD WALL ABOVE
	INDICATES EXISTING BEARING WOOD WALL
	INDICATES EXISTING NON-BEARING WOOD WALL
	INDICATES BEARING CMU WALL BELOW
	INDICATES BEARING CMU WALL ABOVE
	INDICATES NON-BEARING CMU WALL BELOW
	INDICATES NON-BEARING CMU WALL ABOVE
	INDICATES EXISTING BEARING CMU WALL
	INDICATES EXISTING NON-BEARING CMU WALL
	INDICATES BEARING CONCRETE WALL BELOW
	INDICATES BEARING CONCRETE WALL ABOVE
	INDICATES NON-BEARING CONCRETE WALL BELOW
	INDICATES NON-BEARING CONCRETE WALL ABOVE
	INDICATES EXISTING BEARING CONCRETE WALL
	INDICATES EXISTING NON-BEARING CONCRETE WALL

S-101	SHEET INDEX, ABBREVIATION & SYMBOLS
S-102	GENERAL NOTES
S-103	GENERAL NOTES, SPECIAL INSPECTION & TESTS
S-201	MODERN PLANS
S-301	TYPICAL CONCRETE DETAILS
S-311	CONCRETE DETAILS
S-312	CONCRETE DETAILS
S-401	TYPICAL WOOD DETAILS
S-402	TYPICAL WOOD DETAILS
S-403	TYPICAL WOOD DETAILS
S-404	TYPICAL WOOD DETAILS
S-411	FLOOR FRAMING DETAILS
S-421	ROOF FRAMING DETAILS

ABBREVIATIONS

A & B	ABOVE AND BELOW	DBL	DOUBLE	HDR	HEADER	PA	POST ABOVE	T & B	TOP AND BOTTOM
AB	ANCHOR BOLT	DEPT	DEPTH	HGR	HANGER	PARA OR //	PARALLEL	T & G	TONGUE & GROOVE
ABV	ABOVE	DET	DETAIL	HP	HIGH POINT	PC	PRECAST; PIECE	TO	TOP OF
ACI	AMERICAN CONCRETE INSTITUTE	DF	DOUGLAS FIR/LARCH	HSB	HORIZONTALLY SLOTTED HOLES	PERP	PERPENDICULAR	TOC	TOP OF CURB; TOP OF CONCRETE
ADDL	ADDITIONAL	DIA	DIAMETER	HT	HEIGHT	PI	PLYWOOD INDEX	TOF	TOP OF FOOTING
ADJ	ADJACENT	DIAG	DIAGONAL	ID	INSIDE DIAMETER	PL OR PL.	PLATE	TEMP	TEMPERATURE; TEMPORARY
AESS	ARCHITECTURAL EXPOSED STRUCTURAL STEEL	DIAPH	DIAPHRAGM	IF	INSIDE FACE	PL	PROPERTY LINE	THRU	THROUGH
AISC	AMERICAN INSTITUTE OF STEEL CONSTRUCTION	DO	DO OVER	I-JST	I-JOIST	PLF	PONDS PER LINEAL FOOT	THK	THICKNESS/THICK
ALT	ALTERNATE	DIM	DIMENSION	IN	INCH	PLCS	PLACES	THR	THREADED
ALUM	ALUMINUM	DN	DOWN	INCL	INCLUDE	PLY	PLYWOOD	TOP or 1	TOP
ANCH	ANCHOR	DOV	DO OVER	INFO	INFORMATION	PROP	PROPERTY	TOS	TOP OF STEEL/TOP OF SLAB
ANSI	AMERICAN NATIONAL STANDARDS INSTITUTE	DWG	DRAWING	INSP	INSPECTION	PT	PRESSURE TREATED	TOW	TOP OF WALL
APA	ENGINEERED WOOD ASSOCIATION (FORMERLY THE AMERICAN PLYWOOD ASSOCIATION)	DWL	DOWEL	INT	INTERIOR	PW	PLATE WASHER	TS	TRIMMER STUD
APPVD	APPROVED	EA	EACH	JST	JOIST	PJP	PARTIAL JOINT PENETRATION WELD	TYP	TYPICAL
APPROX	APPROXIMATE	EF	EACH FACE	JT	JOINT	PREFAB	PREFABRICATED	UNO	UNLESS NOTED OTHERWISE
ARCH	ARCHITECTURAL; ARCHITECT	EJ	EXPANSION JOINT	K	KIPS	PSF	POUNDS PER SQUARE FOOT	UT	ULTRA-SONIC TEST
AWPA	AMERICAN WOOD PRESERVERS ASSOCIATION	EL	ELEVATION	KS	KING STUD	PSI	POUNDS PER SQUARE INCH	VERT	VERTICAL
AWS	AMERICAN WELDING SOCIETY	ELEC	ELECTRICAL	KP	KING POST	PSL	PARALLEL STRAND LUMBER	VSH	VERTICAL SLOTTED HOLES
AITC	AMERICAN INSTITUTE OF TIMBER CONSTRUCTION	ELEV	ELEVATOR	KSI	KIPS PER SQUARE INCH	PVMT	PAVEMENT	W/	WITH
ASTM	AMERICAN SOCIETY FOR TESTING MATERIALS	EMBED	EMBEDMENT	LB(S) OR #	POUND(S)	#	POUND; NUMBER	W/O	WITHOUT
BLDG	BUILDING	EN	ENGINEER	LF	LINEAL FOOT	REF	REFERENCE	WO	WHERE OCCURS
BLK	BLOCK	ENGR	ENGINEER	LN	LINEAL; LINEAR	REINF	REINFORCE; REINFORCING	WD	WOOD
BLKG	BLOCKING	EQ	EQUAL OR EQUIVALENT	LH	LONG LEG HORIZONTAL	REQD	REQUIRED	WP	WORK POINT; WATERPROOF
BM	BEAM	EQUIP	EQUIPMENT	LLV	LONG LEG VERTICAL	RF	ROOF	WWF	WELDED WIRE FABRIC
BN	BOUNDARY NAIL	ES	EACH SIDE	LP	LOW POINT	RR	ROOF RAFTER		
BOT OR B	BOTTOM	EW	EACH WAY	LSH	LONG SLOTTED HOLES	Ø	ROUND; DIAMETER		
BRC	BRACE	EXIST or [E]	EXISTING	LSL	LAMINATED STRAND LUMBER	SCHED	SCHEDULE	W	W SHAPE
BRG	BEARING	EXT	EXTERIOR	LT WT	LIGHTWEIGHT	SECT	SECTION	C	AMERICAN STD CHANNEL SHAPE
BTWN	BETWEEN	FDN	FOUNDATION	LVL	LEVEL OR LAMINATED VENEER LUMBER	SEP	SEPARATION	MC	MISC CHANNEL SHAPE
CANT	CANTILEVER	FIN	FINISH	MAT	MASONRY	SHT	SHEET	L	ANGLE SHAPE
CAMR OR C	CAMBER	FJ	FLOOR JOIST	MAS	MASONRY	SHTG	SHEATHING	WT, ST, MT	STRUCT TEE SHAPE
CC	CENTER TO CENTER	FLG	FLANGE	MATL	MATERIAL	SIM	SMILAR	PIPE	STANDARD PIPE SHAPE
CG	CENTER OF GRAVITY	FLR	FLOOR	MAX	MAXIMUM	SOG	SLAB ON GRADE	PIPE-X	EXTRA STRONG PIPE SHAPE
CP	CAST-IN-PLACE	FN	FIELD NAIL	MB	MACHINE BOLT	SN	SHEAR NAIL	PIPE-XX	DBL EXTRA STRONG PIPE SHAPE
CJ	CONSTRUCTION JOINT; CONTROL JOINT	FOC	FACE OF CONCRETE	MECH	MECHANICAL	SPCG	SPACING	HSS	HOLLOW STRUCTURAL SECTION
CL	CENTER LINE	FOM	FACE OF MASONRY	MFR	MANUFACTURER	SPECS	SPECIFICATIONS		
CLR	CLEARANCE; CLEAR	FOS	FACE OF STUD	MIN	MINIMUM; MINUTE	SQ	SQUARE		
CMU	CONCRETE MASONRY UNIT	FOW	FACE OF WALL	MISC	MISCELLANEOUS	SS	STAINLESS STEEL		
COL	COLUMN	FRMG	FRAMING	[N]	NEW	SSL	SHORT SLOTTED HOLES		
COMP	COMPRESSION	FT	FOOT; FEET	N	NORTH	STD	STANDARD		
CONC	CONCRETE	FTA	FLOOR TIE ABOVE	NO or #	NUMBER	STGR	STAGGER		
CONN	CONNECTION; CONNECT	FTG	FOOTING	NTS	NOT TO SCALE	STIFF	STIFFENERS		
CONSTR	CONSTRUCTION	GA	GAUGE	OC	ON CENTER	STIRR	STIRRUP		
CONT	CONTINUE; CONTINUOUS	GALV	GALVANIZED	OD	OUTSIDE DIAMETER	STL	STEEL		
CONTR	CONTRACTOR	GB	GRADE BEAM	OF	OUTSIDE FACE	STRUCT	STRUCTURAL		
CJP	COMPLETE JOINT PENETRATION WELD	GLB	GLUED LAMINATED BEAM	OH	OPPOSITE HAND	SW	SHEAR WALL		
CTR	CENTER	GR	GRADE	OPNG	OPENING	SYM	SYMMETRICAL		
CTS&K	COUNTERSINK; COUNTERSUNK	GRND	GROUND	OPP	OPPOSITE	TB	TIE BEAM		
CU FT	CUBIC FOOT	H or HORIZ	HORIZONTAL	ORIG	ORIGINAL				
				OSB	ORIENTED STRAND BOARD				

COUNTY OF SAN LUIS OBISPO
ACCESSORY DWELLING UNIT
 SAN LUIS OBISPO, CA
SHEET INDEX, ABBREVIATION & SYMBOLS

N:\2020\2727-01-cu29-400-county\adu\structural\Sheet\Plan_S\Modern\2727-01-CU22-1-101.dwg, 5.5-101 - No v. 20, 2023, 3:38pm, dlp@z



THESE PLANS ARE PROVIDED BY THE COUNTY OF SAN LUIS OBISPO AS PART OF THE PRE-APPROVED ADU PROGRAM AND ARE PUBLIC DOMAIN. THERE CANNOT BE A CHARGE TO PROVIDE THESE PLANS. NO ALTERATIONS TO THESE PLANS ARE ALLOWED. ALL ALTERATIONS MUST BE DONE UNDER A SEPARATE PERMIT ONCE THE BUILDING PERMIT FOR THE ADU HAS BEEN ISSUED AND FINAL INSPECTION COMPLETED. IF YOU DO NOT HAVE THE CONSTRUCTION KNOWLEDGE AND EXPERIENCE TO CONTRACT THESE PLANS WITHOUT FURTHER DETAILS, IT IS RECOMMENDED YOU HIRE A CONTRACTOR TO DO THE CONSTRUCTION. THE CITY WILL NOT PROVIDE FURTHER INFORMATION OR DETAILS AND BUILDING INSPECTORS WILL NOT PROVIDE STEP BY STEP INSTRUCTIONS IN THE FIELD.

COUNTY OF SAN LUIS OBISPO
ACCESSORY DWELLING UNIT
SAN LUIS OBISPO, CA
GENERAL NOTES

SAWN LUMBER

- FRAMING LUMBER SHALL MEET THE FOLLOWING MINIMUM STANDARDS EXCEPT WHERE OTHERWISE NOTED:

SAWN LUMBER PROPERTIES				
USE	SIZE	SPECIES	GRADE	REFERENCE
MUDSILLS	2 X 4	D.F.	STANDARD OR BETTER PRESSURE TREATED	2022 CBC 2303.1.9
	2 X 6 AND LARGER	D.F.	NO. 2 OR BETTER PRESSURE TREATED	
	2 X	REDWOOD	FOUNDATION GRADE	
HORIZONTAL FRAMING LUMBER				
ROOF JOISTS AND RAFTERS	2x	D.F.	NO. 2	WCIB & WWPA
FLOOR JOISTS	2 X	D.F.	NO. 2	
HEADERS AND BEAMS	4 X	D.F.	NO. 2	
ANY OTHER HORIZONTAL	4 X 4 AND SMALLER	D.F.	NO. 2	WCIB & WWPA
	6 X 6 AND LARGER	D.F.	NO. 1	
VERTICAL FRAMING LUMBER				
TOP PLATES	2 X	D.F.	NO. 2	WCIB & WWPA
STUDS	2 X 4 & 3 X 4	D.F.	STUD	
	2 X 6 & 2 X 8	D.F.	NO. 2	
POSTS	4 X 4 & 4 X 6 POSTS	D.F.	NO. 2	WCIB & WWPA
	6 X 6 & LARGER POSTS	D.F.	NO. 1	
ALL OTHER FRAMING LUMBER				
ALL OTHER FRAMING LUMBER (UNO)	ALL SIZES	D.F.	STANDARD & BETTER	WCIB & WWPA
- FLOOR JOISTS SHALL BE GRADE STAMPED "S-DRY" WHICH INDICATES A MOISTURE CONTENT NOT EXCEEDING 19 PERCENT.
- ALL SOLE PLATES AND TOP PLATES SHALL BE GRADE STAMPED "KD" WHICH INDICATES KILN DRIED WITH A MOISTURE CONTENT NOT EXCEEDING 15 PERCENT.
- STUD WALLS SHOWN ON PLANS ARE NONBEARING PARTITIONS WALLS, BEARING WALLS OR SHEAR WALLS BELOW THE FRAMING LEVEL, UNLESS NOTED OTHERWISE. STUDS SHALL BE SIZE AND SPACING AS NOTED IN THE DRAWINGS, SEE PLAN AND ARCHITECTURAL DRAWINGS, UNLESS OTHERWISE NOTED.
- MINIMUM FRAMING NAILING SHALL CONFORM TO CBC TABLE 2304.10.2. ALL NAILS SHALL BE COMMON WIRE NAILS. PREDRILL NAIL HOLES TO 70% OF NAIL SHANK DIAMETER WHERE NAILING TENDS TO SPLIT WOOD.
- UNLESS OTHERWISE NOTED, ALL WOOD SILL PLATES UNDER BEARING, EXTERIOR, OR SHEAR WALLS IN CONTACT WITH CONCRETE OR MASONRY SHALL BE BOLTED TO THE CONCRETE OR MASONRY WITH 5/8" Ø X 12" BOLTS W/ 0.229" X 3" X 3" PLATE WASHER (GALV) AT 4'-0" O.C. BEGINNING AT 9" O.C. MAXIMUM FROM EACH END OF THE PLATES. THE BOLTS SHALL EXTEND A MINIMUM OF 7" INTO THE CONCRETE OR MASONRY. POWDER DRIVEN NUTS AT 1/3 OF THE BOLT SPACING OR 24" O.C. MAXIMUM MAY BE SUBSTITUTED FOR THE ANCHOR BOLTS AT INTERIOR NON-SHEAR WALLS ONLY.
- ALL LUMBER IN CONTACT WITH CONCRETE SHALL BE PRESSURE TREATED LUMBER WITH AWP/A TREATMENT C2 USING EITHER ALKALINE QUAT (AQO TYPE B AND D), COPPER AZOLE (CBA-CA, CA-B), OR SODIUM BORATES (SBK). ANCHOR BOLTS, FASTENERS, AND METAL FRAMING CONNECTIONS IN CONTACT WITH PRESSURE TREATED LUMBER SHALL BE HOT-DIPPED GALVANIZED TO A RATING OF G-185 PER ASTM A653.
- PROVIDE 2 STUDS UNDER ALL 4 X 10 AND LARGER BEAMS OR HEADERS AT SPANS 6 FEET OR LONGER, UNLESS OTHERWISE NOTED. WHERE POSTS OR MULTIPLE STUDS UNDER BEAMS OR HEADERS ARE CALLED FOR ON DRAWINGS THOSE POSTS OR MULTIPLE STUDS SHALL BE CARRIED TO THE FOUNDATION/PODIUM LEVEL.
- PROVIDE THE FOLLOWING BLOCKING AS A MINIMUM, UNLESS SHOWN OTHERWISE:
 - 2" X FULL DEPTH SOLID BLOCKING BETWEEN JOISTS OVER SUPPORT.
 - 2" X FULL DEPTH SOLID BLOCKING BETWEEN JOISTS OVER AND BELOW PARTITION WALLS.
- DOUBLE JOISTS UNDER PARTITIONS RUNNING PARALLEL TO JOISTS, UNLESS SUPPORTED BY A WALL BELOW OR SHOWN OTHERWISE. NAIL DOUBLED JOISTS WITH 16D AT 12" O.C., STAGGERED.
- BRIDGING SHALL BE 2 X SOLID BLOCKS, INSTALLED AS FOLLOWS:
 - ROOF JOISTS MORE THAN 10" DEPTH, 8'-0" O.C. MAXIMUM, NOT MORE THAN 8'-0" FROM SUPPORT.
 - ROOF JOISTS MORE THAN 10" DEPTH, 8'-0" O.C. MAXIMUM, NOT MORE THAN 8'-0" FROM SUPPORT.
- JOIST HANGERS AND OTHER METAL FRAMING ACCESSORIES ARE REFERRED TO ON PLANS BY PARTICULAR TYPE AS MANUFACTURED BY SIMPSON STRONG-TIE COMPANY, STOCKTON, CALIFORNIA. ACCESSORIES OF OTHER MANUFACTURE WITH EQUIVALENT LOAD CARRYING CHARACTERISTICS MAY BE USED.
- FIRE STOPPING, BACKING FOR INTERIOR FINISHES, NONBEARING WALLS, AND OTHER NON-STRUCTURAL FRAMING ARE NOT NECESSARILY SHOWN ON STRUCTURAL DRAWINGS.

HARDWARE AND CONNECTORS

- GENERAL:**
USE ALL SPECIFIED FASTENERS AS SPECIFIED ON PLANS. IF NOT INDICATED ON PLANS PROVIDE FASTENERS PER MEPS APPROVED ICC-ESR REPORT OR PRODUCT LITERATURE
- HOLD-DOWNS:**
- DO NOT OVER TIGHTEN NUTS ON TIE-DOWN ANCHOR RODS OR BOLTS. TIGHTEN ANCHOR ROD NUTS ONE-THIRD TO ONE HALF TURN BEYOND FINGER TIGHT
 - INSTALL ALL HOLD-DOWNS TIGHT TO END STUDS/POSTS. DO NOT USE FILLER BLOCKS FOR MISALIGNED ANCHOR BOLTS. EXTEND THE ANCHOR ROD AT A 1:4 (HORIZONTAL) USING A COUPLER WITH EQUIVALENT ANCHOR ROD AND INSTALL THE HOLD-DOWN HIGHER ON END STUD / POST
 - FOR HOLD-DOWNS THAT BOLT TO END STUDS, INSTALL THE HEAD OF THE BOLT TO THE BRACKET SIDE. AND ON THE SIDE OPPOSITE THE BRACKET, INSTALL A WASHER BETWEEN THE NUT AND THE STUD / POSTS

TIE-DOWN & COLLECTOR STRAPS:

- TIE-DOWN AND COLLECTOR STRAPS SHALL BE INSTALLED STRAIGHT AND TRUE. DO NOT FOLD, BEND, KINK OR OTHERWISE ALTER CONNECTOR STRAPS
- INSTALL THE TIE-DOWN STRAPS DIRECT TO POST IN LIEU OF COVER SHEATHING. STRAPS MAY BE INSTALLED ON THE UNSHEATHED SIDE OF THE END STUDS / POSTS

CONCRETE

- ALL CONCRETE CONSTRUCTION SHALL CONFORM WITH CHAPTER 19 OF THE CODE AND WITH THE PROVISIONS OF ACI 318-19.
- CONCRETE MATERIALS SHALL BE IN ACCORDANCE WITH THE FOLLOWING STANDARDS:

MATERIAL	ASTM STANDARD
PORTLAND CEMENT (TYPE II)	C150
CONCRETE AGGREGATES (HARDROCK)	C33
WATER*	C1602
COAL FLY ASH OR POZZOLAN (CLASS F)	C618
NATURAL OR MANUFACTURED SAND	C33
SLAG	C989

 - FOR SOILS WITH HIGH CONCENTRATIONS OF SULFATES (EXPOSURES S2 OR S3 PER ACI 318-19 TABLE 19.3.2.1) PORTLAND CEMENT SHALL BE TYPE V. VERIFY WITH PROJECT GEOTECHNICAL REPORT.
 - WATER SHOULD ONLY BE ADDED AT THE BATCH PLANT. IN NO CASE SHALL THE DESIGN WATER/CEMENT RATIO BE EXCEEDED.
- CONCRETE MIXES SHALL BE PROPORTIONED BASED ON SECTION 26.4.3 OF ACI 318-19. WHICH REFERENCES ACI 301-10 ARTICLE 4.2.3. MIX DESIGNS SHALL INCLUDE DOCUMENTATION OF MIX AVERAGE COMPRESSIVE STRENGTH THROUGH FIELD TEST DATA OR TRAIL MIXTURES IN ACCORDANCE WITH ACI 301-10 ARTICLE 4.2.3.4. SCHEDULE OF STRUCTURAL CONCRETE STRENGTHS AND LOCATIONS (UNO):

LOCATION IN STRUCTURE	MINIMUM STRENGTH [PSI]	DENSITY [PCF]	MAX SLUMP [IN/1]	MAX WATER/CEMENT RATIO	SLAG/ FLY ASH ¹ [MAX]
CONCRETE FOUNDATIONS, GRADE BEAMS, TIE BEAMS	2,500	150	4	0.5	0.15
CONCRETE SLAB ON GRADE	2,500	150	4	0.45	0.15

 - AS MEASURED BY CEMENTITIOUS WEIGHT
- DEPOSITING AND CONVEYING OF CONCRETE SHALL CONFORM TO SECTION 26.5 OF ACI 318-19 AND PROJECT SPECIFICATIONS.
- ALL CONCRETE SURFACES AGAINST WHICH NEW CONCRETE IS TO BE PLACED SHALL BE CLEANED AND ROUGHENED TO 1/4" AMPLITUDE.
- ALL REINFORCING BARS, ANCHOR BOLTS AND OTHER CONCRETE INSERTS SHALL BE WELL SECURED IN POSITION PRIOR TO PLACING CONCRETE.
- PROVIDE SLEEVES FOR PLUMBING AND ELECTRICAL OPENINGS IN CONCRETE BEFORE PLACING. DO NOT CUT ANY REINFORCING WHICH MAY CONFLICT. CORING IN CONCRETE IS NOT PERMITTED WITHOUT SEOR APPROVAL. NOTIFY THE SEOR IN ADVANCE OF CONDITIONS NOT SHOWN ON THE DRAWINGS. SEE THE DRAWINGS FOR ADDITIONAL RESTRICTIONS ON THE PLACEMENT OF OPENINGS IN SLABS AND WALLS.
- PIPES EMBEDDED IN CONCRETE:
 - CONCRETE
 - PIPES LARGER THAN 1-1/2" DIAMETER SHALL NOTE BE EMBEDDED IN STRUCTURAL CONCRETE EXCEPT WHERE SPECIFICALLY APPROVED BY SEOR.
 - NO CONDUITS SHALL BE PLACED IN CONCRETE FILL OVER METAL DECK.
 - PIPES SHALL NOT DISPLACE OR INTERRUPT REINFORCING BARS.
 - DO NOT STACK CONDUITS. SPACE EMBEDDED PIPES AND CONDUITS AT A MINIMUM OF 3 DIAMETERS CLEAR FROM OTHER EMBEDDED PIPES/CONDUITS AND REBAR.

REINFORCING STEEL

- REINFORCING BARS SHALL CONFORM TO THE REQUIREMENTS OF CHAPTER 19 OF THE CODE AND WITH THE PROVISIONS OF ACI 318-19. ASTM A706, GRADE 60 UNO, ASTM A615 GR 60 STEEL, MAY BE SUBSTITUTED FOR ASTM A706 GRADE 60 STEEL PER ACI 318-19 SECTION 20.2.2.5 PROVIDED THE FOLLOWING CONDITIONS ARE MET:
 - THE ACTUAL YIELD STRENGTH BASED ON MILL TESTS DOES NOT EXCEED THE SPECIFIED YIELD STRENGTH BY MORE THAN 18.000 PSI.
 - THE RATIO OF THE ACTUAL ULTIMATE TENSILE STRESS TO THE ACTUAL YIELD STRENGTH IS NOT LESS THAN 1.25.
 - WHERE REINFORCEMENT COMPLYING WITH ASTM A615 IS TO BE WELDED, CHEMICAL TESTS SHALL BE PERFORMED TO DETERMINE WELDABILITY IN ACCORDANCE WITH SECTION 26.4.4 OF ACI 318-19.
- BARS SHALL BE CLEAN OF OIL, GREASE, OR OTHER MATERIALS LIKELY TO IMPAIR BOND. ALL REINFORCING BAR BENDS SHALL BE MADE COLD.
- REINFORCING BAR LAP SPLICES SHALL BE MADE AS INDICATED ON THE DRAWINGS. LAP ALL HORIZONTAL BARS AT CORNERS AND INTERSECTIONS. STAGGER ALL SPLICES UNLESS NOTED OTHERWISE ON PLANS.
 - MINIMUM LAP SPLICE LENGTH FOR REINFORCING STEEL BARS IN CONCRETE SHALL BE PER ACI 318-19 SECTION 25.5.2 AND THE REINFORCING SCHEDULE ON THE DRAWINGS.
- REINFORCING STEEL SHALL BE ACCURATELY PLACED AND ADEQUATELY SUPPORTED BEFORE THE CONCRETE IS PLACED AND SHALL BE SECURED AGAINST DISPLACEMENT DURING CONSTRUCTION WITHIN PERMITTED TOLERANCES. ADEQUATE SUPPORTS ARE ALSO NECESSARY TO KEEP THE REINFORCING STEEL AT THE PROPER DISTANCE FROM THE FORMS. USE WIRE BAR SUPPORTS, PRECAST CONCRETE SUPPORTS, SPACERS, BOLSTERS, REINFORCEMENT OR OTHER MEANS OF SUPPORT PER THE "CRSI MANUAL OF STANDARD PRACTICE", LATEST EDITION.
- ED ITEMS MAY BE CORRECTED PRIOR TO PLACEMENT OF OVERLYING GRIDS OR REINFORCING STEEL.
- CONCRETE PROTECTION FOR REINFORCEMENT

THE FOLLOWING MINIMUM CONCRETE COVER SHALL BE PROVIDED FOR REINFORCEMENT IN CAST-IN-PLACE CONCRETE (NON-PRESTRESSED):	MINIMUM COVER, IN.
A. CONCRETE CAST AGAINST AND PERMANENTLY EXPOSED TO EARTH	3
B. CONCRETE EXPOSED TO EARTH OR WEATHER: NO. 6 THROUGH NO. 18 BAR NO. 5 BAR, W31 OR D31 WIRE & SMALLER	2 1 1/2
C. CONCRETE NOT EXPOSED TO WEATHER OR IN CONTACT WITH GROUND: SLABS, WALLS, JOISTS: NO. 14 AND NO. 18 BARS NO. 11 BAR & SMALLER BEAMS, COLUMNS: PRIMARY REINFORCEMENT TIES, STIRRUPS, SPIRALS	1 1/2 3/4 1 1/2

WOOD (GENERAL)

- PRESERVATIVE TREATMENT:
 - WOOD MEMBERS SHALL BE PRESERVATIVE TREATED IN ACCORDANCE WITH AIC 109-07, STANDARD FOR PRESERVATIVE TREATMENT, BASED ON THE SERVICE CONDITION PER THE USE CATEGORIES (UC) SPECIFIED IN AWP/A U1-04.
 - UC1 - INTERIOR CONSTRUCTION, ABOVE GROUND, DRY - NO PRESERVATIVE TREATMENT REQUIRED
 - UC2 - INTERIOR CONSTRUCTION, ABOVE GROUND, WET - PRESERVATIVE TREATMENT REQUIRED IF THE HUMIDITY OR MOISTURE CONDENSATION IS 20% OR GREATER.
 - UC3 - EXTERIOR CONSTRUCTION ABOVE GROUND - PRESERVATIVE TREATMENT REQUIRED.
- FOR ALL TREATED WOOD MEMBERS, ALL CUTS, HOLES AND INJURIES SUCH AS ABRASIONS OR HOLES FROM REMOVAL OF NAILS AND SPIKES WHICH MAY PENETRATE THE TREATED ZONE SHALL BE FIELD TREATED IN ACCORDANCE WITH AWP/A M4-06. THE FOLLOWING FIELD TREATMENTS SHALL BE USED:
 - BORED HOLES: HOLES FOR CONNECTORS OR BOLTS MAY BE TREATED BY PUMPING COAL TAR ROOFING CEMENT MEETING ASTM D5643 INTO HOLES USING A GREASE GUN OR SIMILAR DEVICE
 - EXTERIOR: COPPER NAPHTHENATE
 - INTERIOR: INORGANIC BORON PRESERVATIVES LIMITED TO USE IN APPLICATIONS NOT IN CONTACT WITH GROUND AND CONTINUOUSLY PROTECTED FROM LIQUID WATER

FOUNDATION

- GEOTECHNICAL INFORMATION AND FOUNDATION DESIGN IS BASED ON THE FOLLOWING:
 - DESIGN LATERAL SOIL LOADS ARE IN ACCORDANCE WITH 2022 CBC TABLE 1603.1.1
 - ALLOWABLE FOUNDATION BEARING AND LATERAL PRESSURES ARE IN ACCORDANCE WITH 2022 CBC TABLE 1806.2
- SPREAD OR CONTINUOUS FOOTINGS:

ELEMENT	ALLOWABLE BEARING CAPACITY (PSF) *	ALLOWABLE LATERAL RESISTANCE #	
		PASSIVE RESISTANCE (PSF/FT BELOW GRADE) †	COHESION (PSF)
SHALLOW FOUNDATION	1,500	100	130

NOTES:
A. THE ALLOWABLE CAPACITY MAY BE INCREASED BY ONE-THIRD WHEN CONSIDERING LOADS OF SHORT DURATION SUCH AS WIND OR SEISMIC FORCES.
B. THE ALLOWABLE LATERAL RESISTANCE CAN BE TAKEN AS THE SUM OF THE FRICTIONAL RESISTANCE AND PASSIVE RESISTANCE.
C. THE UPPER 3' FOOT OF SOIL NOT PROTECTED BY PAVEMENT SHALL BE NEGLECTED WHEN CALCULATING PASSIVE RESISTANCE.
D. COMPACTED FILL SHOULD BE PREPARED AS FOLLOWS: A MIN OF 12" OF COMPACTED FILL SHALL BE PROVIDED, COMPACTED TO A MIN OF 90 PERCENT MODIFIED PROCTOR IN ACCORDANCE WITH ASTM D 1557 (2022 CBC 1804.6)
- WHERE NOT SHOWN ON THE DRAWINGS, CONTRACTOR TO PROVIDE FOR DESIGN AND INSTALLATION OF ALL CRIBBING, SHEATHING AND SHORING REQUIRED AND SHALL BE SOLELY RESPONSIBLE FOR ALL EXCAVATION PROCEDURES INCLUDING LAGGING, SHORING, AND PROTECTION OF ADJACENT PROPERTY, STRUCTURES, STREETS, AND UTILITIES IN ACCORDANCE WITH ALL NATIONAL, STATE AND LOCAL SAFETY ORDINANCES.
- CONTRACTOR TO PROVIDE FOR DE-WATERING OF EXCAVATIONS FROM SURFACE WATER, GROUND WATER AND/OR SEEPAGE.
- EXCAVATION FOR FOOTINGS SHALL BE APPROVED BY THE INSPECTOR OR GEOTECHNICAL ENGINEER PRIOR TO PLACING CONCRETE AND REINFORCING.
- ALL EXCAVATIONS SHALL BE PROPERLY BACKFILLED. DO NOT PLACE BACKFILL BEHIND RETAINING WALLS BEFORE CONCRETE OR GROUT HAS ATTAINED FULL DESIGN STRENGTH. CONTRACTOR SHALL PROVIDE FOR DESIGN, PERMITS AND INSTALLATION OF ALL SUELF BRACING.
- EXCAVATIONS SHALL BE CUT SQUARE AND SMOOTH, WITH LEVEL BOTTOMS.
- FOOTING BACKFILL AND UTILITY TRENCH BACKFILL WITHIN BUILDING AREA SHALL BE MECHANICALLY COMPACTED IN LAYERS IN ACCORDANCE WITH THE GEOTECHNICAL INVESTIGATION REPORT AND APPROVED BY THE GEOTECHNICAL ENGINEER. FLOODING WILL NOT BE PERMITTED. ALL FILLS USED TO SUPPORT FOUNDATIONS SHALL BE INSPECTED BY THE GEOTECHNICAL ENGINEER REPRESENTATIVE PER SECTION 1705.6 OF THE CODE.
- ALL ABANDONED FOOTINGS, UTILITIES, ETC. SHALL BE REMOVED. NEW FOOTINGS MUST EXTEND INTO UNDISTURBED SOILS.
- THIS PLAN IS INTENDED FOR FLAT SOILS, WITHOUT HIGHLY EXPANSIVE OR LIQUEFIABLE SOILS. IF THE PROJECT SITE IS DETERMINED TO HAVE ANY OF THESE QUALITIES, AS DETERMINED BY THE BUILDING OFFICIAL, THESE PER APPROVED ADU FOUNDATION PLANS AND DETAILS ARE NOT APPLICABLE.

EXISTING CONDITIONS

- ALL INFORMATION SHOWN ON THE PLANS RELATIVE TO EXISTING CONDITIONS IS GIVEN AS THE BEST PRESENT KNOWLEDGE FROM PLANS SUPPLIED BY THE OWNER, BUT WITHOUT GUARANTEE OF ACCURACY.
- WHERE ACTUAL CONDITIONS ARE NOT IN ACCORDANCE WITH THE INFORMATION PRESENTED, THE ARCHITECT AND/OR STRUCTURAL ENGINEER SHALL BE NOTIFIED IMMEDIATELY. NO MODIFICATIONS OF THE PLANS FOR NEW CONSTRUCTION SHALL BE MADE WITHOUT THE WRITTEN APPROVAL OF THE ARCHITECT.

EXISTING UNDERGROUND UTILITIES

- THE ARCHITECT AND ENGINEERS ARE NOT RESPONSIBLE FOR THE LOCATIONS OF EXISTING UNDERGROUND UTILITIES WHETHER OR NOT SHOWN ON THE DRAWINGS. DRAWINGS, IF ANY, IS APPROXIMATE. THE CONTRACTOR SHALL EXERCISE EXTREME CAUTION IN EXCAVATING AND TRENCHING ON THE SITE. THE CONTRACTOR SHALL IMMEDIATELY NOTIFY THE ARCHITECT AND/OR STRUCTURAL ENGINEER SHOULD ANY SUCH UNIDENTIFIED CONDITIONS BE DISCOVERED.
- THE CONTRACTOR SHALL BE RESPONSIBLE FOR ANY DAMAGES WHICH MAY RESULT FROM HIS FAILURE TO EXACTLY LOCATE AND PRESERVE ALL EXISTING UNDERGROUND UTILITIES.
- AN UNDERGROUND SERVICE ALERT INQUIRY IDENTIFICATION NUMBER MUST BE OBTAINED AT LEAST TWO WORKING DAYS BEFORE STARTING WORK WITH THIS PERMIT.
 - FOR PROJECTS IN SOUTHERN CALIFORNIA TELEPHONE NO. 1-800-422-4133.
 - FOR PROJECTS IN NORTHERN CALIFORNIA TELEPHONE NO. 1-800-227-2600.

DEMOLITION

- ALL DEMOLITION SHALL BE CARRIED ON IN SUCH A WAY AS NOT TO DAMAGE EXISTING ELEMENTS, WHICH ARE TO REMAIN IN THE FINISHED STRUCTURE.
- ALL ELEMENTS OF THE STRUCTURE, WHICH ARE TO REMAIN, AND WHICH ARE DAMAGED DURING DEMOLITION WORK SHALL BE REPLACED AT NO ADDITIONAL COST. EXISTING ELEMENTS SHALL BE PROTECTED TO THE FULLEST EXTENT POSSIBLE, IN ORDER TO MITIGATE DAMAGE.
- CONTRACTOR IS RESPONSIBLE FOR REMOVAL AND REPLACEMENT OF ALL EXISTING ELEMENTS THAT ARE NECESSARY FOR THE INSTALLATION OF ALL NEW WORK.
- WHERE EXISTING PARTITION WALLS ARE TO BE DEMOLISHED, CONTRACTOR SHALL VERIFY WALLS ARE NON-BEARING PRIOR TO DEMOLITION. IF WALLS ARE FOUND TO BE BEARING, CONTRACTOR SHALL NOTIFY ARCHITECT IMMEDIATELY

DESIGN INFORMATION

1. FLOOR LIVE LOADS (2022 CBC SECTION 1603.1.1)

FLOOR LIVE LOADS			
OCCUPANCY OR USE	UNIFORM (PSF)	CONC. (LBS)	REFERENCE
RESIDENTIAL ONE- AND TWO- FAMILY DWELLINGS UNINHABITABLE ATTICS WITHOUT STORAGE UNINHABITABLE ATTICS WITH STORAGE HABITABLE ATTICS AND SLEEPING AREAS ALL OTHER AREAS	10 20 30 40	—	2022 CBC TABLE 1607.1

2. ROOF LIVE LOADS (2022 CBC SECTION 1603.1.2)

ROOF LIVE LOADS			
OCCUPANCY OR USE	UNIFORM (PSF)	CONC. (LBS)	REFERENCE
ROOF ORDINARY FLAT, PITCHED AND CURVED ROOFS (THAT ARE NOT OCCUPIABLE)	20	—	2022 CBC TABLE 1607.1

3. ROOF SNOW LOADS (2022 CBC SECTION 1603.1.3):

SNOW DESIGN DATA		
PARAMETER	VALUE	REFERENCE
GROUND SNOW LOAD	P _g = 0 PSF	ASCE 7-16 7.2

4. WIND DESIGN DATA (2022 CBC SECTION 1603.1.4):

WIND DESIGN DATA		
PARAMETER	VALUE	REFERENCE
ULTIMATE DESIGN WIND SPEED (3-SEC GUST)	V _{ult} = 92 MPH	2022 CBC FIG. 1609.3
NOMINAL DESIGN WIND SPEED (3-SEC GUST)	V _{ad} = 72 MPH	2022 CBC 1609.3.1
EXPOSURE CATEGORY	C	2022 CBC 1609.4.3
INTERNAL PRESSURE COEFFICIENT:	GCPi = ± 0.18	ASCE 7-16 TABLE 26.13-1

COMPONENTS & CLADDING WIND PRESSURES (PSF)

LOCATION	ZONE	COMPONENT TRIBUTARY AREA (SQ FT)		
		10	100	500
ROOF	ZONE 1	-31.0	-16.0	-16.0
	ZONE 2a	-31.0	-16.0	-16.0
	ZONE 2b	-34.1	-21.6	-18.4
	ZONE 2c	-31.0	-16.0	-16.0
	ZONE 3a	-41.9	-26.3	-18.4
	ZONE 3c	-34.1	-21.6	-18.4
	ALL ZONES	16.9	16.0	16.0
	ZONE 1	-43.5	-27.8	-27.8
	ZONE 2a	-43.5	-27.8	-27.8
OVERHANG	ZONE 2b	-46.6	-34.1	-31.0
	ZONE 2c	-43.5	-27.8	-27.8
	ZONE 3a	-54.4	-38.8	-31.0
WALL	ZONE 3c	-46.6	-34.1	-31.0
	ZONE 4	-20.0	-17.4	-16.0
	ZONE 5	-24.7	-19.2	-16.0
	POSITIVE	18.4	16.0	16.0

5. EARTHQUAKE DESIGN DATA (2022 CBC SECTION 1603.1.5):

SITE AND OCCUPANCY PARAMETERS		
PARAMETER	VALUE	REFERENCE
RISK CATEGORY	II	2022 CBC TABLE 1604.5
SEISMIC IMPORTANCE FACTOR	I = 1.0	ASCE 7-16 TABLE 1.3-2
MAPPED SPECTRAL RESPONSE ACCELERATIONS:	S ₁ = 2.47 g S ₁ = 1.05 g	2022 CBC 1613.2.1
SITE CLASS	D (DF)	2022 CBC 1613.2.2
SPECTRAL RESPONSE COEFFICIENTS:	S _{DS} = 1.97 g	2022 CBC 1613.2.4
	S _{DI} = 1.19 g	

BUILDING PARAMETERS

PARAMETER	VALUE	REFERENCE
SEISMIC DESIGN CATEGORY	SDC = E	2022 CBC 1613.2.5
BASIC SEISMIC FORCE RESISTING SYSTEM	LIGHT FRAME (WOOD) WALLS SHEATHED WITH WOOD STRUCTURAL PANELS RATED FOR SHEAR RESISTANCE	ASCE 7-16 TABLE 12.2-1
RESPONSE MODIFICATION FACTOR	R = 6 1/2	
SYSTEM OVERSTRENGTH FACTOR	Ω _o = 3	
DEFLECTION AMPLIFICATION FACTOR	Cd = 4	
DESIGN BASE SHEAR	V = 7.4 k	ASCE 7-16 12.8.1
SEISMIC RESPONSE COEFFICIENTS	C _s = 0.304	ASCE 7-16 12.8.1.1
ANALYSIS PROCEDURE USED	EQUIVALENT LATERAL FORCE PROCEDURE	ASCE 7-16 12.8

6. GEOTECHNICAL INFORMATION (2022 CBC SECTION 1603.1.6): REFER TO FOUNDATION GENERAL NOTES

GENERAL

- ALL WORK SHALL CONFORM TO THE MINIMUM STANDARDS OF THE FOLLOWING CODES AND STANDARDS:
 - 2022 CALIFORNIA BUILDING CODE, PART 2, VOLUME 2 OF 2, AND TITLE 24 C.C.R. 2022 EDITION AND LATEST REGULATIONS (INCLUDING SUPPLEMENTS AND ERRATA) HEREIN REFERRED TO AS "THE CODE".
 - ANY OTHER REGULATING AGENCIES WHICH HAVE AUTHORITY OVER ANY PORTION OF THE WORK, INCLUDING THE STATE OF CALIFORNIA DIVISION OF OCCUPATIONAL SAFETY AND HEALTH (CAL/OSHA).
 - CODES & STANDARDS REFERENCED IN THE CODE OR LISTED IN THESE NOTES AND SPECIFICATIONS.
- ALL DRAWINGS ARE CONSIDERED TO BE A PART OF THE CONTRACT DOCUMENTS. THE CONTRACTOR SHALL BE RESPONSIBLE FOR THE REVIEW AND COORDINATION OF ALL DRAWINGS AND SPECIFICATIONS PRIOR TO THE START OF CONSTRUCTION. ANY DISCREPANCIES THAT OCCUR SHALL BE BROUGHT TO THE ATTENTION OF THE ARCHITECT PRIOR TO START OF CONSTRUCTION SO THAT A CLARIFICATION CAN BE ISSUED. ANY WORK PERFORMED IN CONFLICT WITH THE CONTRACT DOCUMENTS OR ANY CODE REQUIREMENTS SHALL BE CORRECTED BY THE CONTRACTOR AT THEIR OWN EXPENSE AND AT NO EXPENSE TO THE OWNER OR ARCHITECT.
- NOTES AND DETAILS ON DRAWINGS SHALL TAKE PRECEDENCE OVER GENERAL NOTES AND TYPICAL DETAILS, WHERE NO DETAILS ARE GIVEN. CONSTRUCTION SHALL BE AS SHOWN FOR SIMILAR WORK.
- THE CONTRACTOR SHALL VERIFY ALL DIMENSIONS PRIOR TO STARTING CONSTRUCTION. THE ARCHITECT SHALL BE NOTIFIED OF ANY DISCREPANCIES OR INCONSISTENCIES. IN NO INSTANCE SHALL DIMENSIONS BE SCALED FROM THE DRAWINGS.
- SEE ARCHITECTURAL DRAWINGS FOR THE FOLLOWING:
 - SIZE AND LOCATION OF ALL DOOR AND WINDOW OPENINGS, EXCEPT AS NOTED
 - SIZE AND LOCATION OF ALL INTERIOR AND EXTERIOR NON-BEARING PARTITIONS UNLESS NOTED AND/OR DETAILED ON THE STRUCTURAL DRAWINGS
 - SIZE AND LOCATION OF ALL CONCRETE CURBS, EQUIPMENT PADS, PITS, FLOOR DRAINS, SLOPES, DEPRESSED AREAS, CHANGE IN LEVEL, CHAMFERS, GROOVES, INSERTS, ETC
 - SIZE AND LOCATION OF ALL FLOOR AND ROOF OPENINGS EXCEPT AS SHOWN
 - FLOOR AND ROOF FINISHES
 - MISCELLANEOUS DRAINAGE AND WATERPROOFING
 - ALL FIREPROOFING REQUIREMENTS INCLUDING FIREPROOFING OF STRUCTURAL STEEL
 - DIMENSIONS NOT SHOWN ON STRUCTURAL DRAWINGS
- SEE MECHANICAL, PLUMBING AND ELECTRICAL DRAWINGS FOR THE FOLLOWING:
 - PIPE RUNS, SLEEVES, HANGERS, TRENCHES, WALL AND SLAB OPENINGS, ETC., EXCEPT AS SHOWN OR NOTED.
 - ELECTRICAL CONDUIT RUNS, BOXES, OUTLETS IN WALLS AND SLABS.
 - CONCRETE INSERTS FOR ELECTRICAL, MECHANICAL OR PLUMBING FIXTURES.
 - SIZE AND LOCATION OF MACHINE OR EQUIPMENT BASES, ANCHOR BOLTS FOR MOTOR MOUNTS.
- SEE CIVIL DRAWINGS FOR THE FOLLOWING:
 - HEIGHT AND/OR ELEVATION OF:
 - FINISHED SURFACE
 - TOP OF WALL
 - TOP OF GRADE
 - FINISHED GRADE
 - SLOPE
 - SITE CONCRETE WALKWAYS, CURBS & PAVING
- THE CONTRACT STRUCTURAL DRAWINGS AND SPECIFICATIONS REPRESENT THE FINISHED STRUCTURE. THEY DO NOT INDICATE THE METHOD OF CONSTRUCTION. THE CONTRACTOR SHALL PROVIDE ALL MEASURES NECESSARY TO PROTECT THE STRUCTURE DURING CONSTRUCTION. SUCH MEASURES SHALL INCLUDE, BUT NOT BE LIMITED TO, BRACING, SHORING FOR LOADS DUE TO CONSTRUCTION EQUIPMENT ETC. THE CONTRACTOR IS RESPONSIBLE FOR PROVISION OF TEMPORARY SHORING AND OTHER CONSTRUCTION AIDS, INCLUDING ALL ENGINEERING OF SUCH SYSTEMS, FOR TEMPORARY SUPPORT OF NEW AND/OR EXISTING STRUCTURAL ELEMENTS AS REQUIRED FOR ERECTION AND OTHER CONTRACTORS MEANS AND METHODS OF CONSTRUCTION (UNO). OBSERVATION VISITS TO THE SITE BY THE STRUCTURAL ENGINEER SHALL NOT INCLUDE INSPECTION OF THE ABOVE ITEMS OR CONCERN CONSTRUCTION MEANS AND METHODS OR CONSTRUCTION SAFETY.
- BACKFILL SHALL NOT BE PLACED BEHIND EXTERIOR AND INTERIOR RETAINING WALLS UNTIL THE CONCRETE / CMU HAS ACHIEVED FULL DESIGN STRENGTH. FOR BRACED WALLS SUPPORTED BY STRUCTURAL DIAPHRAGMS, BACKFILL SHALL NOT BE PLACED BEHIND THE WALL UNTIL THE DIAPHRAGM HAS BEEN INSTALLED, AND FOR CONCRETE DIAPHRAGMS, HAS ACHIEVED FULL DESIGN STRENGTH.
- THE CONTRACT STRUCTURAL DRAWINGS SHOW THE BUILDING IN ITS FINAL INTENDED POSITION. CONTRACTOR SHALL MAKE PROVISIONS IN THE LAYOUT OF THE BUILDING TO TAKE INTO ACCOUNT SHRINKAGE, CREEP, SHORTENING, ETC.
- OPENINGS, POCKETS, ETC., LARGER THAN 6" SHALL NOT BE PLACED IN CONCRETE SLABS, DECKS, WALLS, UNLESS SPECIFICALLY DETAILED ON THE STRUCTURAL DRAWINGS. NOTIFY THE STRUCTURAL ENGINEER WHEN DRAWINGS BY OTHERS SHOW OPENINGS, POCKETS, ETC., LARGER THAN 6" NOT SHOWN ON THE STRUCTURAL DRAWINGS, BUT WHICH ARE LOCATED IN STRUCTURAL MEMBERS.
-

FOR USE IN THE COUNTY OF SAN LUIS OBISPO

REQUIRED VERIFICATION AND INSPECTIONS

WOOD CODE CHAPTER 17 AND REFERENCED 2018 NDS AND AWC SDPWS-2015			
SPECIAL INSPECTION OR TEST	CONTINUOUS	PERIODIC	CBC REFERENCE
1. HIGH LOAD DIAPHRAGM WOOD STRUCTURAL PANELS - VERIFY THE FOLLOWING: - GRADE - THICKNESS - NOMINAL SIZE OF FRAMING MEMBERS AT ADJOINING PANEL EDGES - NAIL OR STAPLE DIAMETER AND LENGTH - NUMBER OF FASTENER LINES - SPACING BETWEEN FASTENERS IN EACH LINE - SPACING BETWEEN FASTENERS AT EDGE MARGINS	---	X	1705.5.1 2306.2
2. FIELD GLUING OPERATIONS OF ELEMENTS OF THE SEISMIC FORCE RESISTING SYSTEM.	X	---	1705.13.2
3. WOOD LATERAL FORCE-RESISTING SYSTEM WITH FASTENER SPACING OF THE SHEATHING LESS THAN OR EQUAL TO 4" OC. - WOOD SHEAR WALLS - WOOD DIAPHRAGMS - DRAG STRUTS - SHEAR PANELS - HOLD-DOWNS	---	X	1705.13.2
4. WOOD LATERAL FORCE-RESISTING SYSTEM WITH FASTENER SPACING OF THE SHEATHING GREATER THAN 4" OC (NOT REQUIRED) - WOOD SHEAR WALLS - WOOD DIAPHRAGMS - DRAG STRUTS - SHEAR PANELS - HOLD-DOWNS	---	---	1705.13.2
5. METAL PLATE CONNECTED WOOD TRUSSES SPANNING 60 FEET OR GREATER - TEMPORARY INSTALLATION RESTRAINT/BRACING - PERMANENT INDIVIDUAL TRUSS MEMBER RESTRAINT/BRACING IN ACCORDANCE WITH APPROVED TRUSS SUBMITTAL PACKAGE	---	X	1705.5.2

SOILS CODE TABLE 1705.6			
SPECIAL INSPECTION OR TEST	CONTINUOUS	PERIODIC	CBC REFERENCE
1. VERIFY MATERIALS BELOW SHALLOW FOUNDATIONS ARE ADEQUATE TO ACHIEVE THE DESIGN BEARING CAPACITY	---	X	
2. VERIFY EXCAVATIONS ARE EXTENDED TO PROPER DEPTH AND HAVE REACHED PROPER MATERIAL.	---	X	
3. PERFORM CLASSIFICATION AND TESTING OF COMPACTED FILL MATERIALS	---	X	
4. VERIFY USE OF PROPER MATERIALS, DENSITIES, AND LIFT THICKNESSES DURING PLACEMENT AND COMPACTION OF COMPACTED FILL	X	---	
5. PRIOR TO PLACEMENT OF COMPACTED FILL, INSPECT SUBGRADE AND VERIFY THAT SITE HAS BEEN PREPARED PROPERLY.	---	X	

CONCRETE CONSTRUCTION CODE TABLE 1705.3			
SPECIAL INSPECTION OR TEST	CONTINUOUS	PERIODIC	CBC REFERENCE
3. INSPECT ANCHORS CAST IN CONCRETE	---	X	ACI 318: 26.7
4. INSPECT ANCHORS POST-INSTALLED IN HARDENED CONCRETE MEMBERS ^(a) (a) ADHESIVE ANCHORS INSTALLED IN HORIZONTALLY OR UPWARDLY INCLINED ORIENTATIONS TO RESIST SUSTAINED TENSION LOADS (b) MECHANICAL ANCHORS AND ADHESIVE ANCHORS NOT DEFINED IN 4.a.	X	---	ACI 318: 26.7.1
	X	---	ACI 318: 26.7.1

STATEMENT OF SPECIAL INSPECTIONS

- THIS STATEMENT OF SPECIAL INSPECTIONS HAS BEEN PREPARED PURSUANT TO SECTION 1704.3 OF THE CODE. THIS SECTION DETAILS BOTH REQUIRED SPECIAL INSPECTIONS AND TESTS INCLUDING TESTING PER SECTION 1705 OF THE CODE. THE FOLLOWING SHALL BE OBSERVED DURING THEIR IMPLEMENTATION:
 - GENERAL:
 - STRUCTURAL VERIFICATIONS, INSPECTIONS AND TESTS SHALL BE PERFORMED IN ACCORDANCE WITH CHAPTER 17 OF THE CODE AND/OR THE APPLICABLE REFERENCE STANDARD.
 - OWNER REQUIREMENTS:
 - THE OWNER OR OWNERS AGENT SHALL EMPLOY ONE OR MORE APPROVED AGENCIES TO PERFORM INSPECTIONS DURING CONSTRUCTION ON THE TYPES OF WORK LISTED IN SECTION 1705 OF THE CODE AND IN THIS STATEMENT OF INSPECTIONS.
 - SPECIAL INSPECTOR QUALIFICATIONS:
 - THE SPECIAL INSPECTIONS SHALL PROVIDE WRITTEN DOCUMENTATION TO THE BUILDING OFFICIAL DEMONSTRATING HIS OR HER COMPETENCE AND RELEVANT EXPERIENCE OR TRAINING. THE EXPERIENCE OR TRAINING SHALL BE CONSIDERED RELEVANT WHEN THE DOCUMENTED EXPERIENCE OR TRAINING IS RELATED IN COMPLEXITY TO THE SAME TYPE OF SPECIAL INSPECTION ACTIVITIES FOR PROJECTS OF SIMILAR COMPLEXITY AND MATERIAL QUANTITIES.
 - CONTRACTOR REQUIREMENTS:
 - SPECIAL INSPECTION IS IN ADDITION TO THE CONTRACTOR'S QUALITY CONTROL INSPECTIONS AND TESTING. THE CONTRACTOR'S QUALITY CONTROL INSPECTIONS AND TESTING SHALL OCCUR PRIOR TO SPECIAL INSPECTION AND REPORTS SHALL BE AVAILABLE TO THE SPECIAL INSPECTOR.
 - THE CONTRACTOR SHALL ENSURE THAT THE WORK FOR WHICH SPECIAL INSPECTION IS REQUIRED REMAINS ACCESSIBLE AND EXPOSED FOR SPECIAL INSPECTION PURPOSES UNTIL COMPLETION OF THE REQUIRED SPECIAL INSPECTION.
 - ANY CONTRACTOR RESPONSIBLE FOR THE CONSTRUCTION OF THE MAIN WIND OR SEISMIC FORCE RESISTING SYSTEM SHALL SUBMIT A WRITTEN STATEMENT OF RESPONSIBILITY TO THE BUILDING OFFICIAL AND OWNER PRIOR TO COMMENCEMENT OF WORK ON THE SYSTEM OR COMPONENT. THE STATEMENT OF RESPONSIBILITY SHALL CONTAIN ACKNOWLEDGEMENT OF AWARENESS OF THE SPECIAL INSPECTION REQUIREMENTS CONTAINED IN THE STATEMENT OF SPECIAL INSPECTIONS.
 - SPECIAL INSPECTOR REPORT REQUIREMENTS:
 - THE SPECIAL INSPECTOR SHALL KEEP RECORD OF INSPECTIONS
 - THE SPECIAL INSPECTOR SHALL FURNISH INSPECTION REPORTS TO THE BUILDING OFFICIAL AND TO THE ARCHITECT AND STRUCTURAL ENGINEER OF RECORD.
 - REPORTS SHALL INDICATE THAT WORK INSPECTED WAS OR WAS NOT COMPLETED IN CONFORMANCE TO APPROVED CONSTRUCTION DOCUMENTS.
 - DISCREPANCIES SHALL BE BROUGHT TO THE IMMEDIATE ATTENTION OF THE CONTRACTOR FOR CORRECTION.
 - IF NOT CORRECTED DISCREPANCIES SHALL BE BROUGHT TO THE ATTENTION OF THE BUILDING OFFICIAL AND THE ARCHITECT AND STRUCTURAL ENGINEER OF RECORD PRIOR TO THE COMPLETION OF THAT PHASE OF WORK.
 - A FINAL REPORT DOCUMENTING SPECIAL INSPECTIONS AND CORRECTION OF ANY DISCREPANCIES NOTED SHALL BE SUBMITTED TO THE BUILDING OFFICIAL.
- WOOD BUILDINGS
 - WOOD STRUCTURAL PANELS (SHEATHING) SHALL BE IDENTIFIED BY THE APA TRADEMARK.

SHOP FABRICATION

- SHOP FABRICATION REQUIRES SPECIAL INSPECTION IN ACCORDANCE WITH CODE SECTION 1704.2.5. EXCEPTION: SHOP SPECIAL INSPECTIONS ARE NOT REQUIRED WHEN WORK IS DONE ON THE PREMISES OF FABRICATOR REGISTERED AND APPROVED TO PERFORM SUCH WORK IN ACCORDANCE WITH CODE SECTION 1704.2.5.1. THE FOLLOWING ACCREDITATIONS MEET THE REQUIREMENTS OF THIS EXCEPTION:
 - STEEL BUILDINGS (OR STEEL ELEMENTS IN OTHER BUILDINGS)
 - FOR GENERAL STEEL BUILDINGS OR ELEMENTS THE FABRICATOR SHALL BE AN AISC CERTIFIED FABRICATOR IN ACCORDANCE WITH THE AISC CERTIFICATION PROGRAM FOR STRUCTURAL STEEL FABRICATORS (AISC 201-06).
 - OTHER ACCREDITATION DEEMED ACCEPTABLE BY THE AUTHORITY HAVING JURISDICTION.
 - IF FABRICATION IS PERFORMED BY AN APPROVED FABRICATOR A CERTIFICATE OF COMPLIANCE MUST BE PROVIDED TO THE BUILDING INSPECTOR THAT THE MATERIALS SUPPLIED AND WORK PERFORMED BY THE FABRICATOR ARE IN CONFORMANCE WITH THE CONSTRUCTION DOCUMENTS.
 - IF FABRICATION IS NOT PERFORMED BY AN APPROVED FABRICATOR WELDING INSPECTION REPORTS MUST BE SUBMITTED TO THE BUILDING OFFICIAL BY AN APPROVED TESTING AGENCY.
 - NONDESTRUCTIVE TESTING (NDT) MAY BE PERFORMED BY THE FABRICATOR, HOWEVER THE QA AGENCY SHALL REVIEW THE FABRICATOR'S NDT REPORTS.

WOOD STRUCTURAL PANELS (SHEATHING)

- WOOD STRUCTURAL PANELS SHALL MEET THE FOLLOWING MINIMUM STANDARDS EXCEPT WHERE OTHERWISE NOTED:

WOOD STRUCTURAL PANEL PROPERTIES						
USE	PLY	BOND CLASSIFICATION ^c	SHEATHING GRADE	PERFORMANCE RATING	SPAN RATING	REFERENCE ^d
ROOF	5	EXPOSURE 1	REFER TO TYPICAL DIAPHRAGM SCHEDULE		APA	2022 CBC 2303.1.5 (DOC PS 1-09 OR PS 2-10)
FLOOR	5	EXPOSURE 1			APA	
WALL ^g	5	EXPOSURE 1	REFER TO TYPICAL SHEAR WALL SCHEDULE		APA	

- TABLE NOTES:
- WOOD STRUCTURAL PANELS SHALL CONFORM TO THE REQUIREMENTS FOR THEIR TYPE IN ACCORDANCE WITH THE FOLLOWING VOLUNTARY STANDARDS BY THE ENGINEERED WOOD ASSOCIATION (APA):
 - VOLUNTARY PRODUCT STANDARD, STRUCTURAL PLYWOOD, PS 1-09
 - VOLUNTARY PRODUCT STANDARD, PERFORMANCE STANDARD FOR WOOD-BASED STRUCTURAL-USE PANELS, PS 2-10
 - WOOD STRUCTURAL PANELS SHALL BE IDENTIFIED BY THE APA TRADEMARK INDICATING CONFORMANCE TO THE APPLICABLE VOLUNTARY STANDARD
 - WHERE PANELS ARE EXPOSED TO REPEATED WETTING AND REDRYING, LONG-TERM EXPOSURE TO WEATHER, OR CONDITIONS OF SIMILAR SEVERITY, "EXTERIOR" APA RATED PLYWOOD SHEATHING SHALL BE USED. C-D "EXPOSURE 1" APA RATED PLYWOOD SHEATHING (CDX) SHALL NOT BE USED FOR CONDITIONS INVOLVING LONG-TERM EXPOSURE TO WEATHER.
 - EXCEPTION: WOOD STRUCTURAL PANEL ROOF SHEATHING EXPOSED TO THE OUTDOORS ON THE UNDERSIDE IS PERMITTED TO BE "EXPOSURE 1" TYPE.
 - WOOD STRUCTURAL PANELS TO BE USED AS SIDING SHALL COMPLY WITH ANS/APA PRP-210.
 - ORIENTED STRAND BOARD (OSB) WITH EQUIVALENT CLASSIFICATION AND RATINGS MAY BE USED IN LIEU OF PLYWOOD FOR WOOD STRUCTURAL PANEL WALL SHEATHING.

- TRANSPORTATION, STORAGE, AND HANDLING:
 - TRANSPORTATION
 - IN TRANSPORTING PANELS ON OPEN TRUCK BEDS, COVER THE BUNDLES WITH A TARP.
 - STORAGE
 - ALWAYS STORE THE PANELS UNDER COVER WHENEVER POSSIBLE
 - WHEN STORING PANELS OUTSIDE STACK THEM ON A LEVEL SURFACE ON TOP OF STRINGERS OR OTHER BLOCKING, THREE STRINGERS MINIMUM.
 - NEVER LEAVE PANELS IN CONTACT WITH THE GROUND
 - COVER THE STACK WITH A PLASTIC TARP, ENSURING THAT THE BUNDLE IS WELL VENTILATED TO PREVENT MILDEW.
 - IF MOISTURE ABSORPTION IS EXPECTED, CUT THE STEEL BAND TO PREVENT DAMAGE
 - KEEP SANDED OR OTHER APPEARANCE GRADE PANELS AWAY FROM HIGH TRAFFIC AREAS
 - HANDLING
 - ALWAYS PROTECT ENDS AND EDGES, ESPECIALLY TONGUE AND GROOVE PRODUCTS, FROM PHYSICAL DAMAGE.
 - ACCLIMATE THE PANELS FOR 24 HOURS MINIMUM BEFORE INSTALLATION BY STANDING THE PANELS ON EDGE WITH A GAP BETWEEN EACH TO ALLOW FOR AIR CIRCULATION OR PER MANUFACTURER'S RECOMMENDATIONS.

- PLYWOOD ORIENTATION
 - ROOF AND FLOOR SHEATHING SHALL BE LAID WITH THE GRAIN OF THE OUTER PILES PERPENDICULAR TO THE FRAMING MEMBERS. SHALL BE CONTINUOUS OVER 2 JOIST BAYS MINIMUM AND END JOINTS SHALL BE JOINED OVER FRAMING AND STAGGERED. LEAVE A 1/8" GAP BETWEEN PANELS TO ALLOW FOR PANEL EXPANSION UNLESS RECOMMENDED OTHERWISE BY THE PANEL MANUF. REFER TO SPECIFIC DETAILS IN THE DRAWINGS FOR FURTHER PARAMETERS.
 - PLYWOOD OR OSB WALL SHEATHING MAY BE APPLIED VERTICALLY OR HORIZONTALLY. ALL END JOINTS BE JOINED OVER FRAMING AND STAGGERED.
- BLOCKING:
 - ROOF: ALL ROOF SHEATHING SHALL BE BLOCKED UNLESS SPECIFICALLY ALLOWED ON PLANS, WHERE PERMITTED TO BE UNBLOCKED. ALL UNBLOCKED EDGES SHALL BE TONGUE AND GROOVE.
 - FLOOR: ALL FLOOR SHEATHING SHALL BE BLOCKED UNLESS SPECIFICALLY ALLOWED ON PLANS, WHERE PERMITTED TO BE UNBLOCKED. ALL UNBLOCKED EDGES SHALL BE TONGUE AND GROOVE.
 - WALLS: ALL SHEAR WALLS SHALL BE FULLY BLOCKED AT PLYWOOD EDGES.
- FASTENERS
 - USE SHEATHING NAILS SAME GAUGE AS COMMON WIRE NAILS WITH LENGTHS AT LEAST EQUAL TO SHEATHING THICKNESS PLUS REQUIRED PENETRATION PER AWS SDPWS TABLE 4.2A OR 4.3A (AS REQUIRED).
 - EQUIVALENT PNEUMATIC DRIVE NAILS OR STAPLES MAY BE USED IF FASTENER MANUFACTURER HAS RECEIVED ICC OR IAPMO APPROVAL FOR THE INTENDED USE. FASTENERS TO BE SUBSTITUTED SHALL BE EQUIVALENT IN LATERAL AND WITHDRAWAL STRENGTH TO THE SIZE OF COMMON NAIL SPECIFIED.
 - USE OF MACHINE NAILING IS SUBJECT TO A SATISFACTORY JOB SITE DEMONSTRATION FOR EACH PROJECT AND THE APPROVAL BY THE PROJECT ARCHITECT OR STRUCTURAL ENGINEER. THE APPROVAL IS SUBJECT TO CONTINUED SATISFACTORY PERFORMANCE. MACHINE NAILING WILL NOT BE APPROVED IN 5/16" PLYWOOD OR OSB SHEATHING. IF NAIL HEADS PENETRATE THE OUTER PLY MORE THAN WOULD BE NORMAL FOR A HAND HAMMER OR IF MINIMUM ALLOWABLE EDGE DISTANCES ARE NOT MAINTAINED, THE PERFORMANCE WILL BE DEEMED UNSATISFACTORY.
 - TYPICAL NAILING SHALL BE 10D AT 6" O.C. AT ALL SUPPORTED EDGES AND OVER SHEAR WALLS, AND 10D AT 12" O.C. AT ALL INTERMEDIATE SUPPORTS, UNLESS OTHERWISE NOTED. SEE PLANS AND REFER TO SHEAR WALL SCHEDULE.



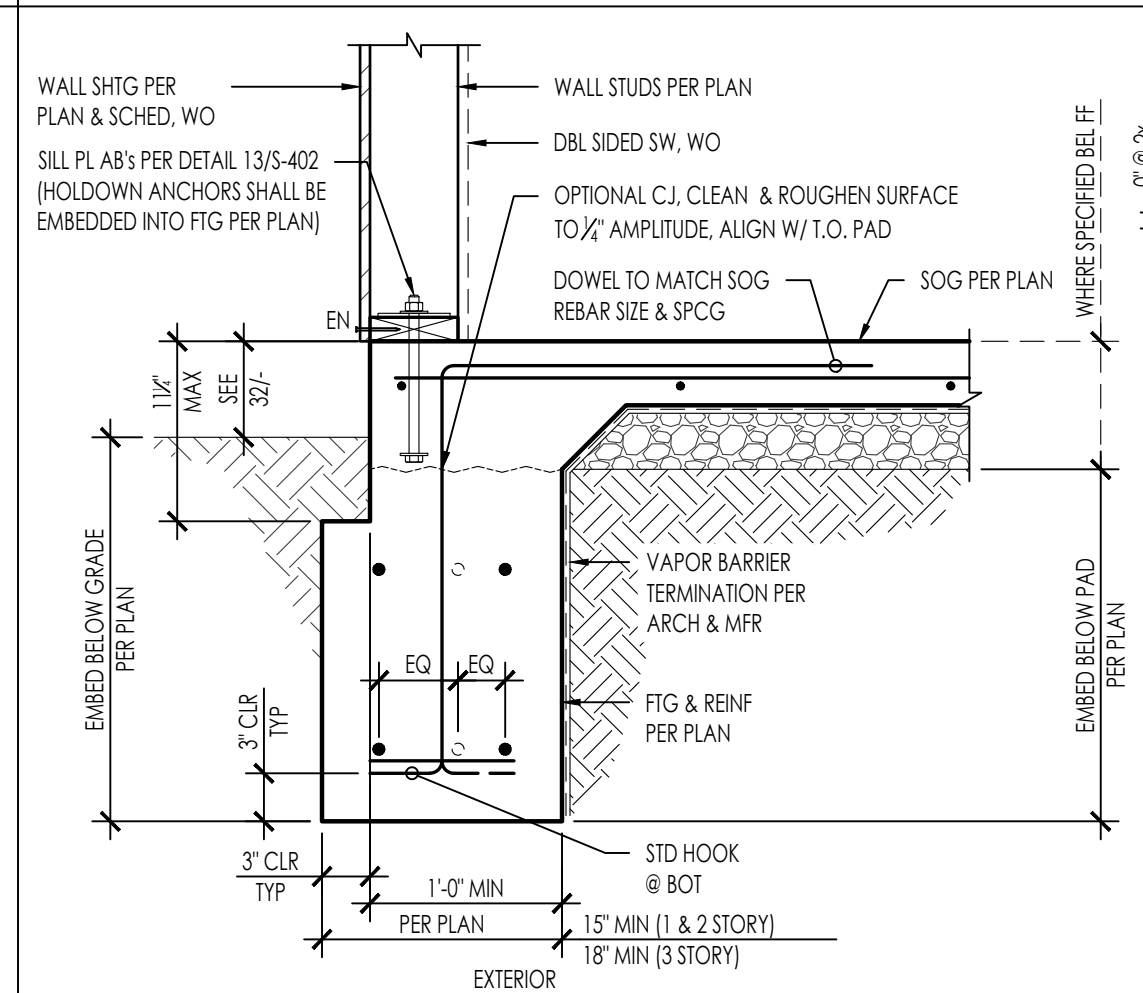
THESE PLANS ARE PROVIDED BY THE COUNTY OF SAN LUIS OBISPO AS PART OF THE PRE-APPROVED ADU PROGRAM AND ARE PUBLIC DOMAIN. THERE CANNOT BE A CHARGE TO PROVIDE THESE PLANS. NO ALTERATIONS TO THESE PLANS ARE ALLOWED. ALL ALTERATIONS MUST BE DONE UNDER A SEPARATE PERMIT ONCE THE BUILDING PERMIT FOR THE ADU HAS BEEN ISSUED AND FINAL INSPECTION COMPLETED. IF YOU DO NOT HAVE THE CONSTRUCTION KNOWLEDGE AND EXPERIENCE TO CONTRIBUTE THESE PLANS WITHOUT FURTHER DETAILS, IT IS RECOMMENDED YOU HIRE A CONTRACTOR TO DO THE CONSTRUCTION. THE CITY WILL NOT PROVIDE FURTHER INFORMATION OR DETAILS AND BUILDING INSPECTORS WILL NOT PROVIDE STEP BY STEP INSTRUCTIONS IN THE FIELD.

**COUNTY OF SAN LUIS OBISPO
ACCESSORY DWELLING UNIT**
SAN LUIS OBISPO, CA
**GENERAL NOTES, SPECIAL
INSPECTION & TESTS**

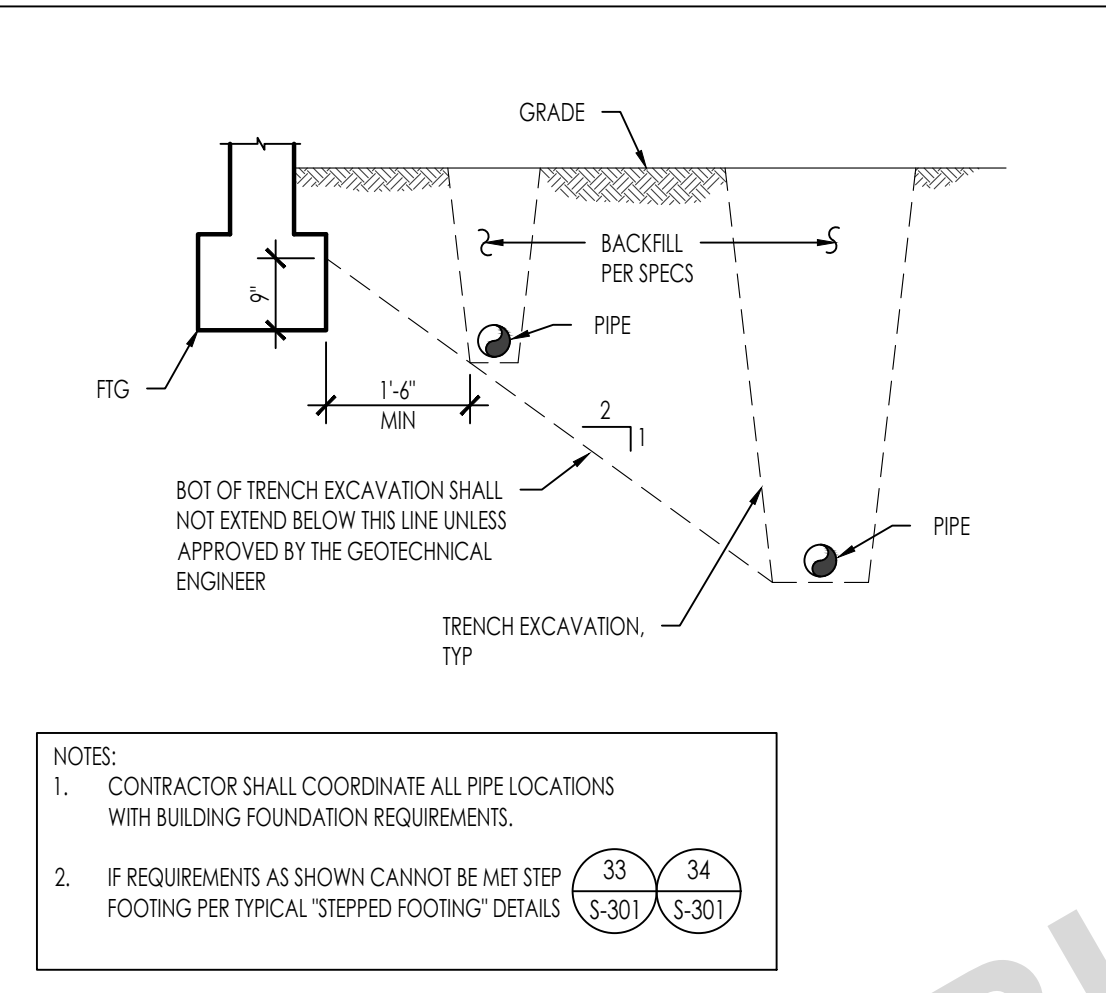
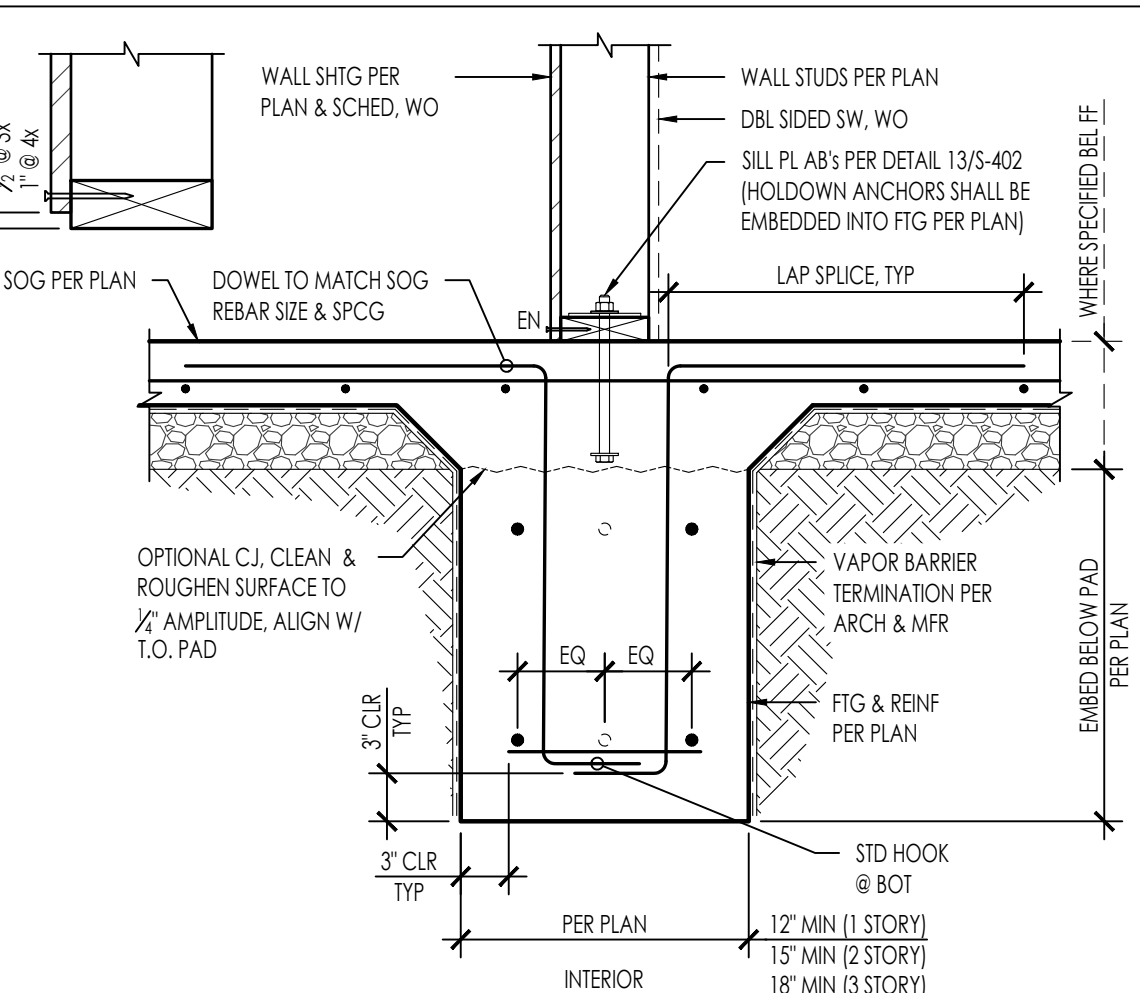
DATE
11/20/2023
SHEET



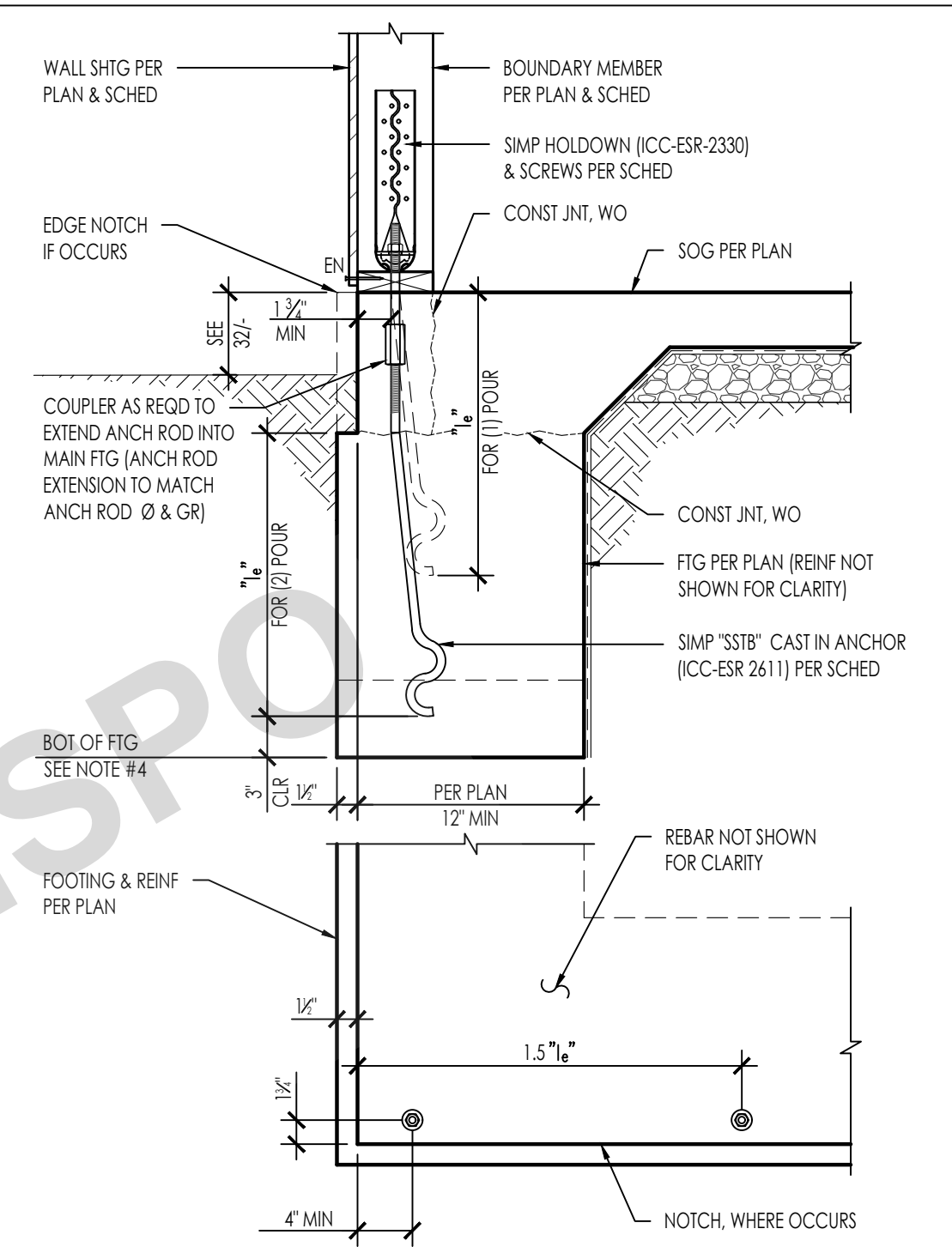
THESE PLANS ARE PROVIDED BY THE COUNTY OF SAN LUIS OBISPO AS PART OF THE PRE-APPROVED ADU PROGRAM AND ARE PUBLIC DOMAIN. THERE CANNOT BE A CHARGE TO PROVIDE THESE PLANS. NO ALTERATIONS TO THESE PLANS ARE ALLOWED. ALL ALTERATIONS MUST BE DONE UNDER A SEPARATE PERMIT ONCE THE BUILDING PERMIT FOR THE ADU HAS BEEN ISSUED AND FINAL INSPECTION COMPLETED. IF YOU DO NOT HAVE THE CONSTRUCTION KNOWLEDGE AND EXPERIENCE TO CONTRUCT THESE PLANS WITHOUT FURTHER DETAILS, IT IS RECOMMENDED YOU HIRE A CONTRACTOR TO DO THE CONSTRUCTION. THE CITY WILL NOT PROVIDE FURTHER INFORMATION OR DETAILS AND BUILDING INSPECTORS WILL NOT FIELD STEP BY STEP INSTRUCTIONS IN THE FIELD.



51 CONTINUOUS WALL FOOTING
2727-01-C1022 - S311

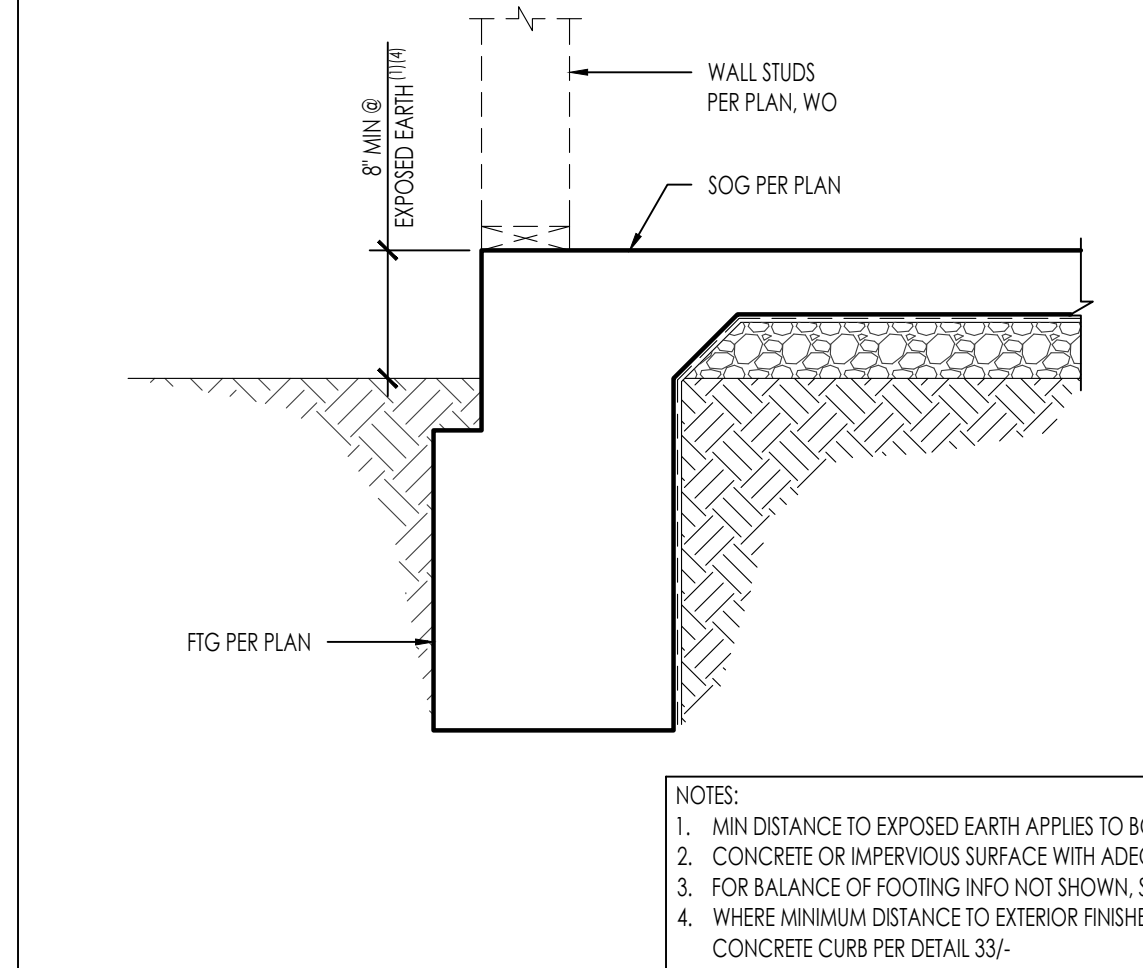


21 PIPES PARALLEL TO FOOTINGS
2727-01-C1022 - S311

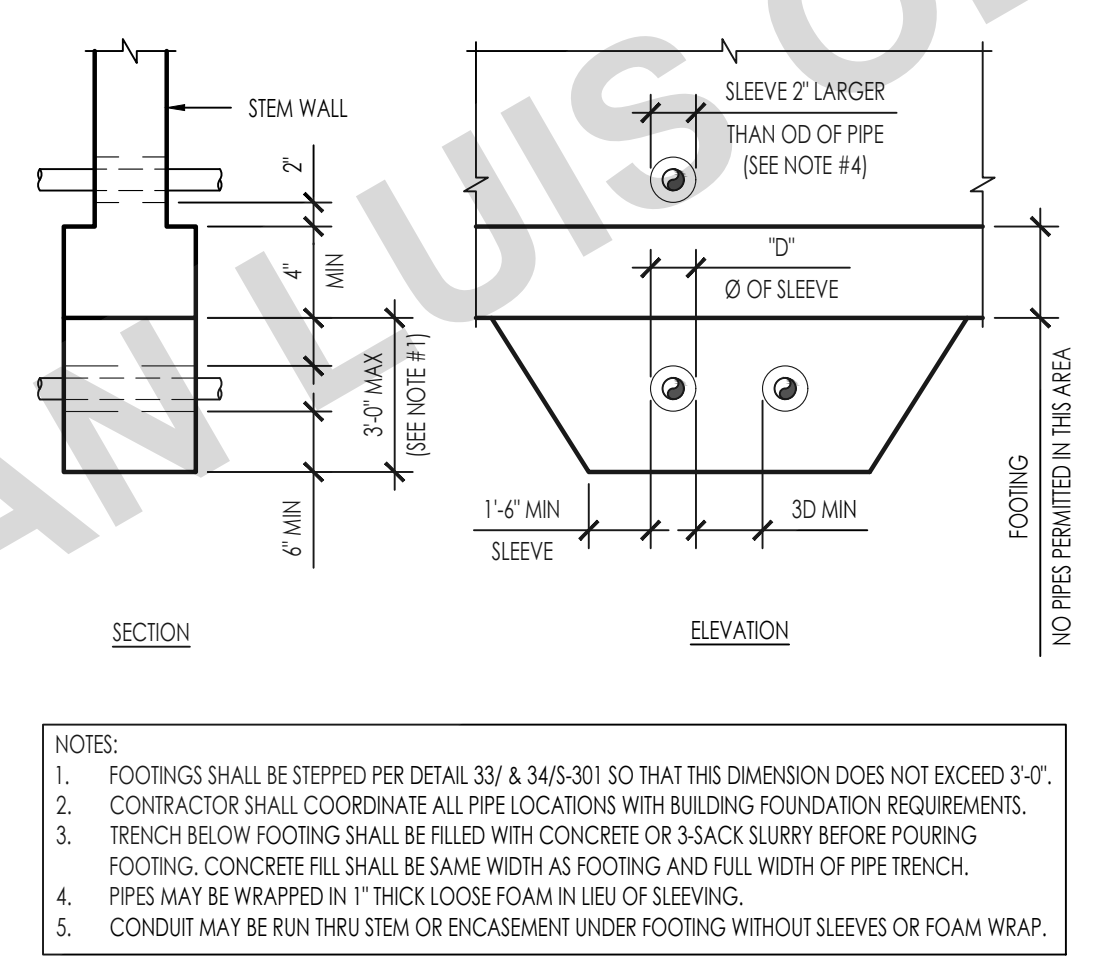
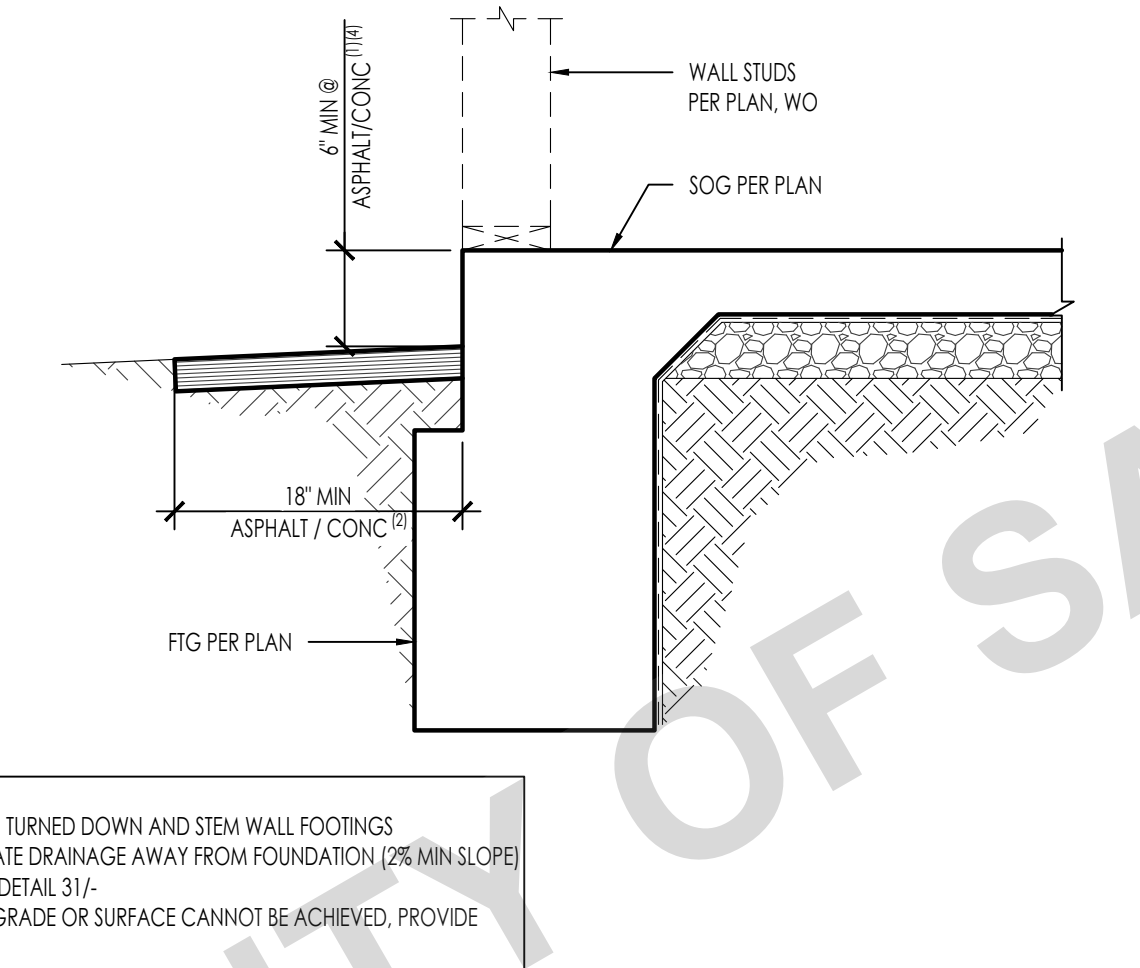


TYPE	HOLDOWN	ANCHOR	DIA (IN)	FASTENERS	BOUNDARY MEMBER MIN THICKNESS (IN)	MIN EMBED 1 _e (IN)	ALLOWABLE LOADS (kIP)	
							CORNER	MIDWALL
4A	HDU4-SDS2.5	SSTB16		10-SDS 7/8" x 2 1/2"	3	12 3/4"	3,780	3,780
4B	HDU5-SDS2.5	SSTB20	3/4"	14-SDS 7/8" x 2 1/2"	3	16 3/4"	4,785	4,785
4C	HDU5-SDS2.5	SSTB24		14-SDS 7/8" x 2 1/2"	3	20 3/4"	5,645*	5,645*
4D	HDQ8-SDS3	SSTB28	1/2"	20-SDS 7/8" x 3"	4 1/2"	24 1/4"	9,230*	9,230*

NOTES:
1. MINIMUM EDGE DISTANCE IS SHOWN ABOVE. ANCHOR LOCATIONS PER PLAN.
2. MINIMUM ANCHOR TO ANCHOR SPACING IS 3L.
3. * = CAPACITY LIMITED BY HOLDOWN.
4. DEEPEN FOOTING AT HOLDOWN ANCHOR AS REQ'D PER DETAIL 32/-.

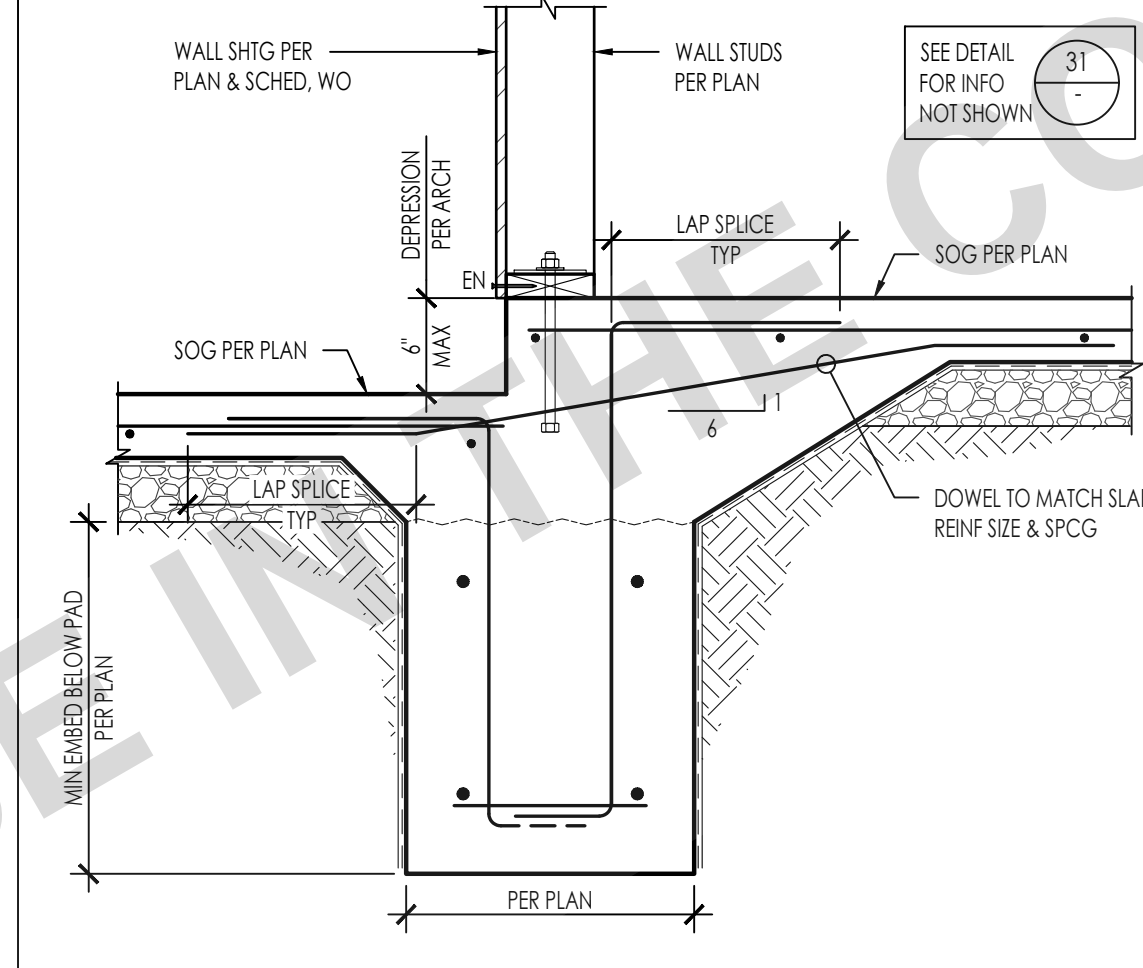


52 MINIMUM DISTANCE FROM GRADE TO WOOD FRAMING
2727-01-C1022 - S311

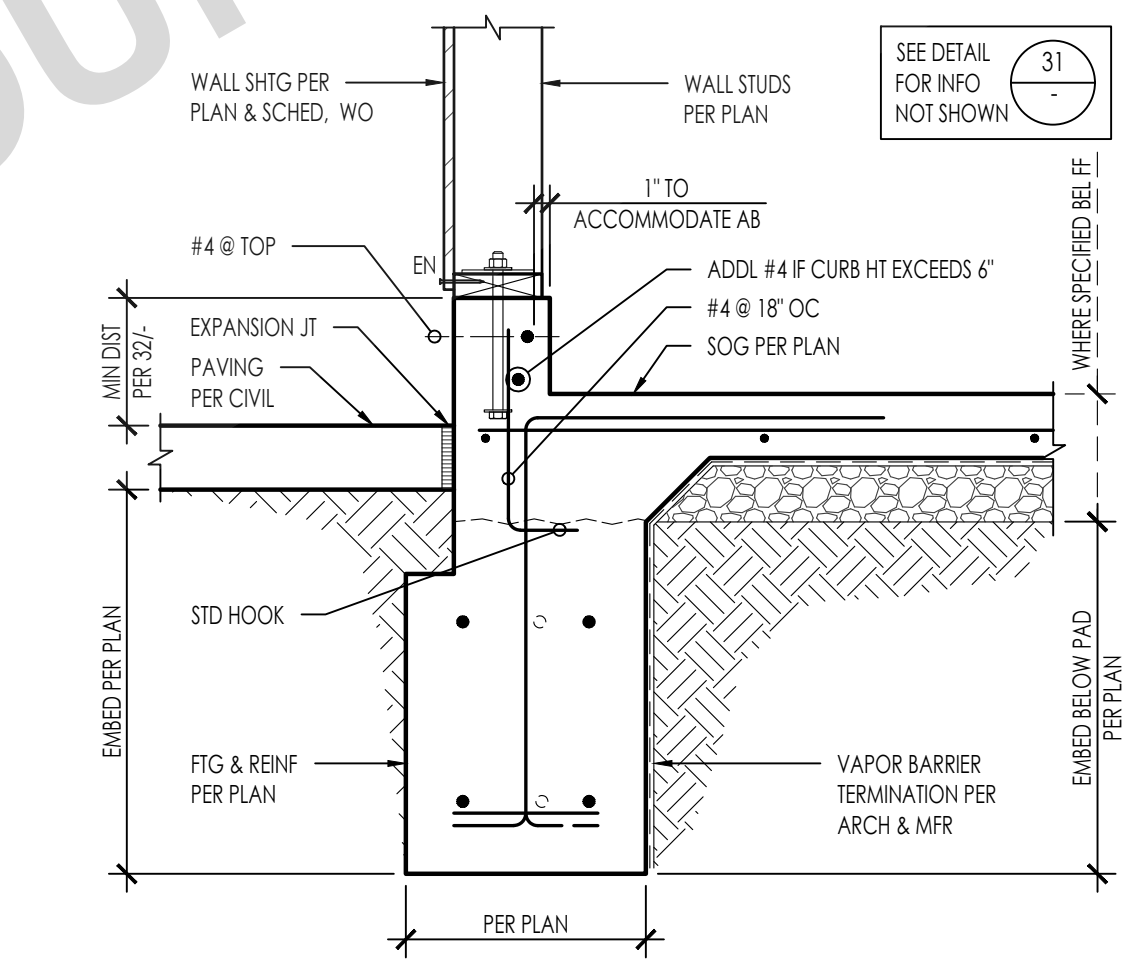


22 PIPES PERPENDICULAR TO FOOTINGS W/ STEM WALL
2727-01-C1022 - S311

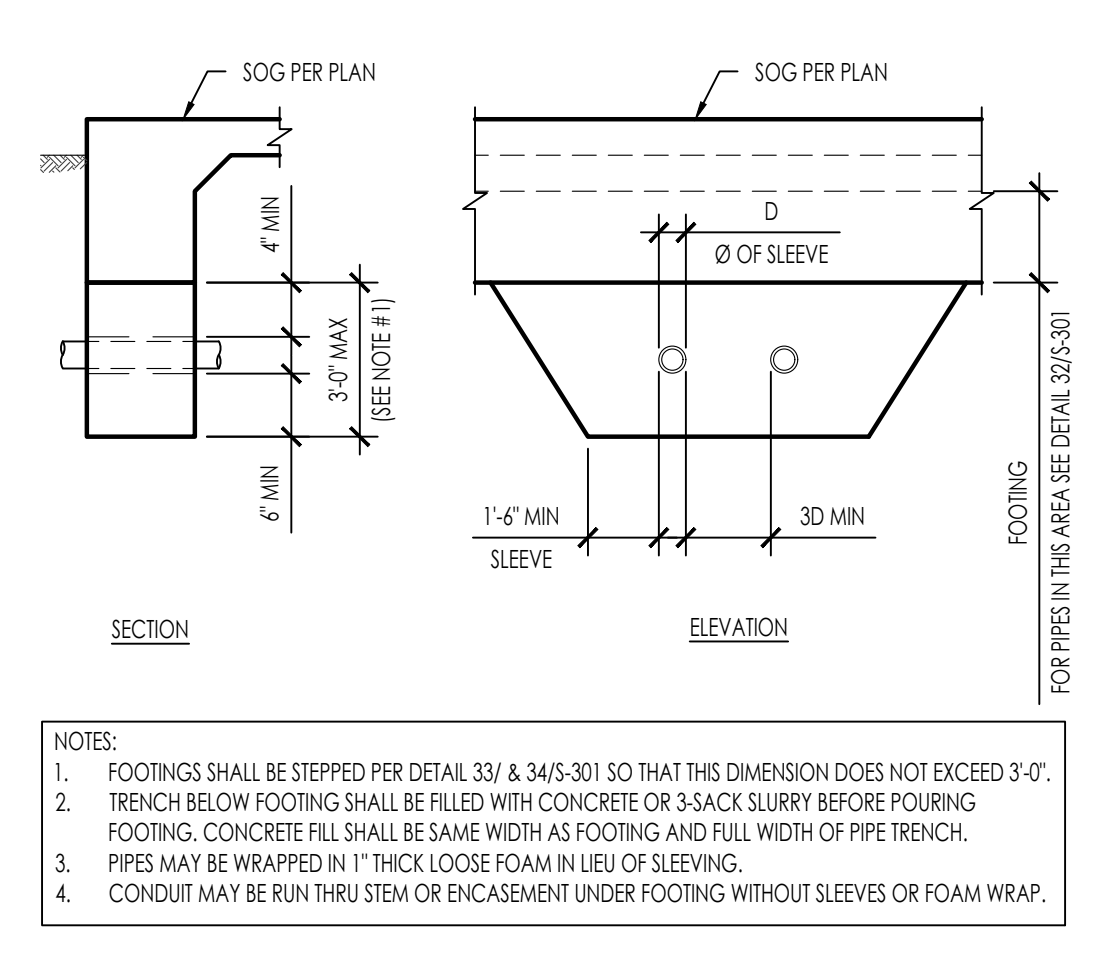
SSTB ANCHOR & HOLDOWN @ FOUNDATION
2727-01-C1022 - S311



53 SOG DEPRESSION @ FTG
2727-01-C1022 - S311



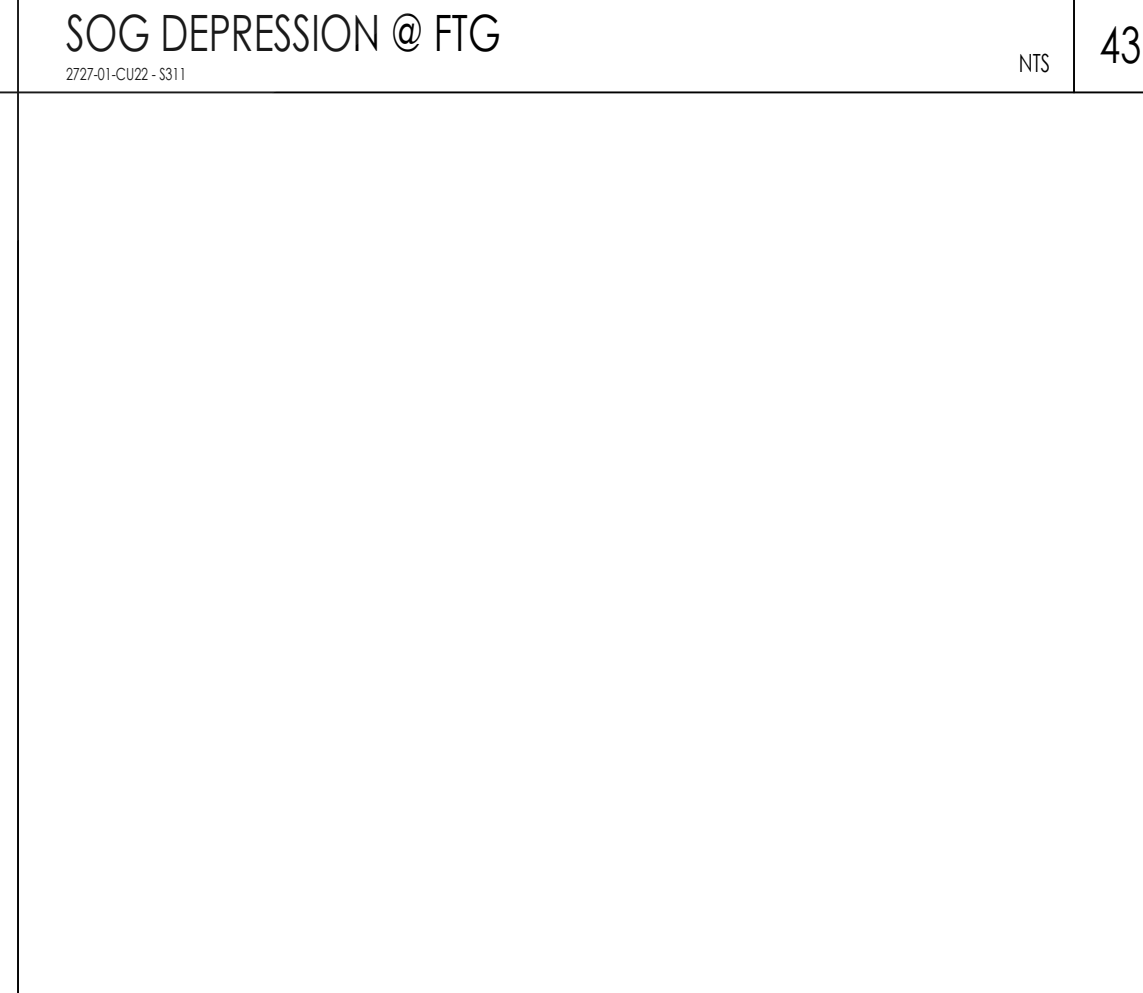
43 EXTERIOR CONTINUOUS WALL FTG W/ CURB
2727-01-C1022 - S311



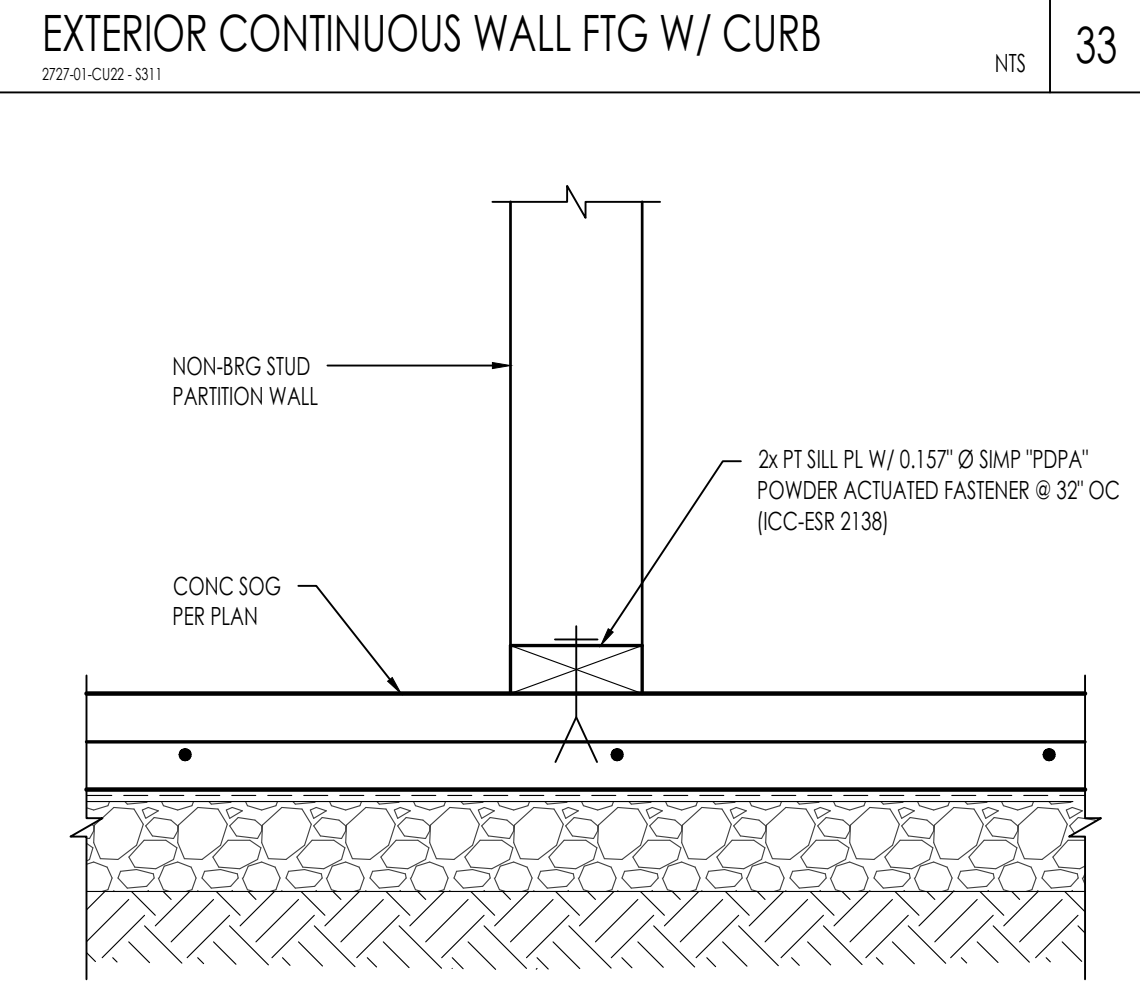
23 PIPES PERPENDICULAR TO FOOTINGS
2727-01-C1022 - S311



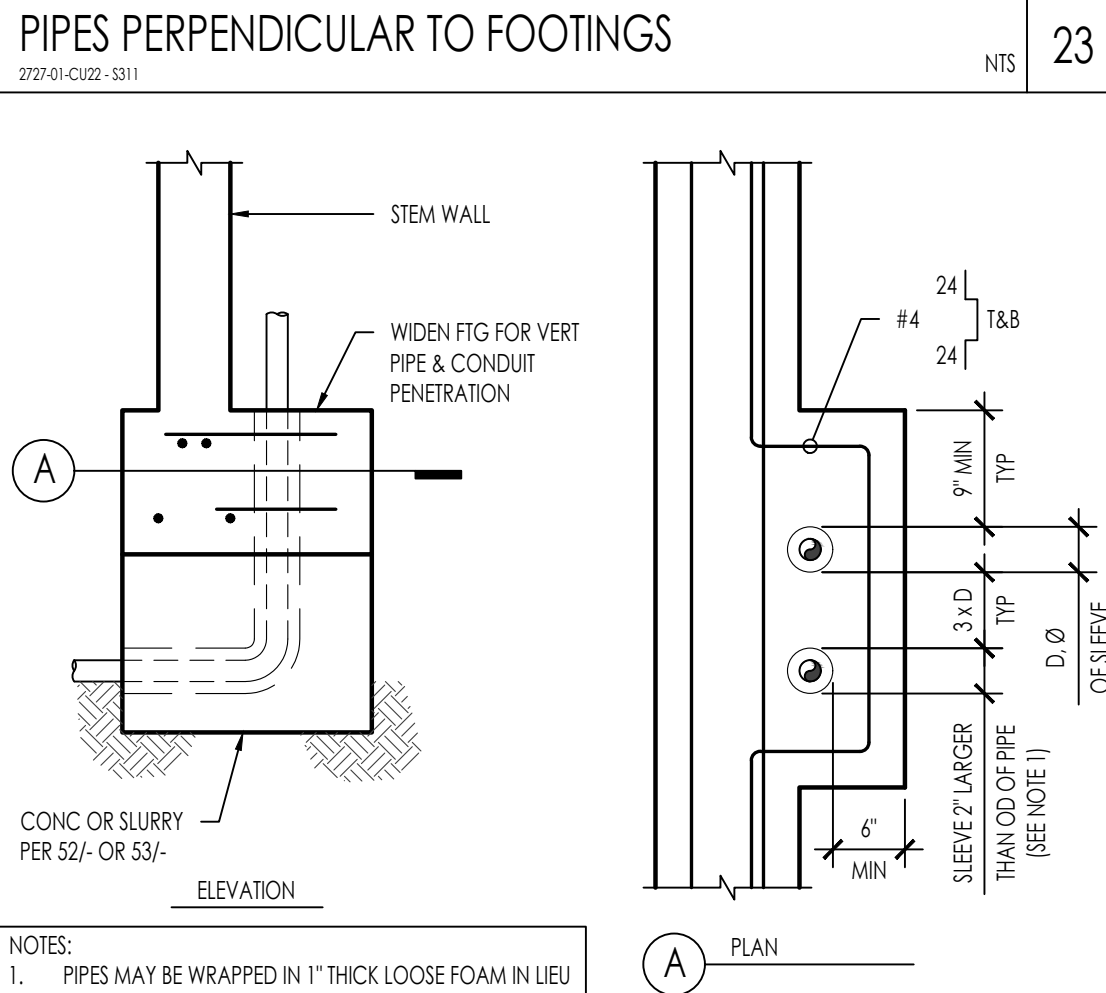
13 TYPICAL VERT PIPES OR COND THROUGH FOOTING
2727-01-C1022 - S311



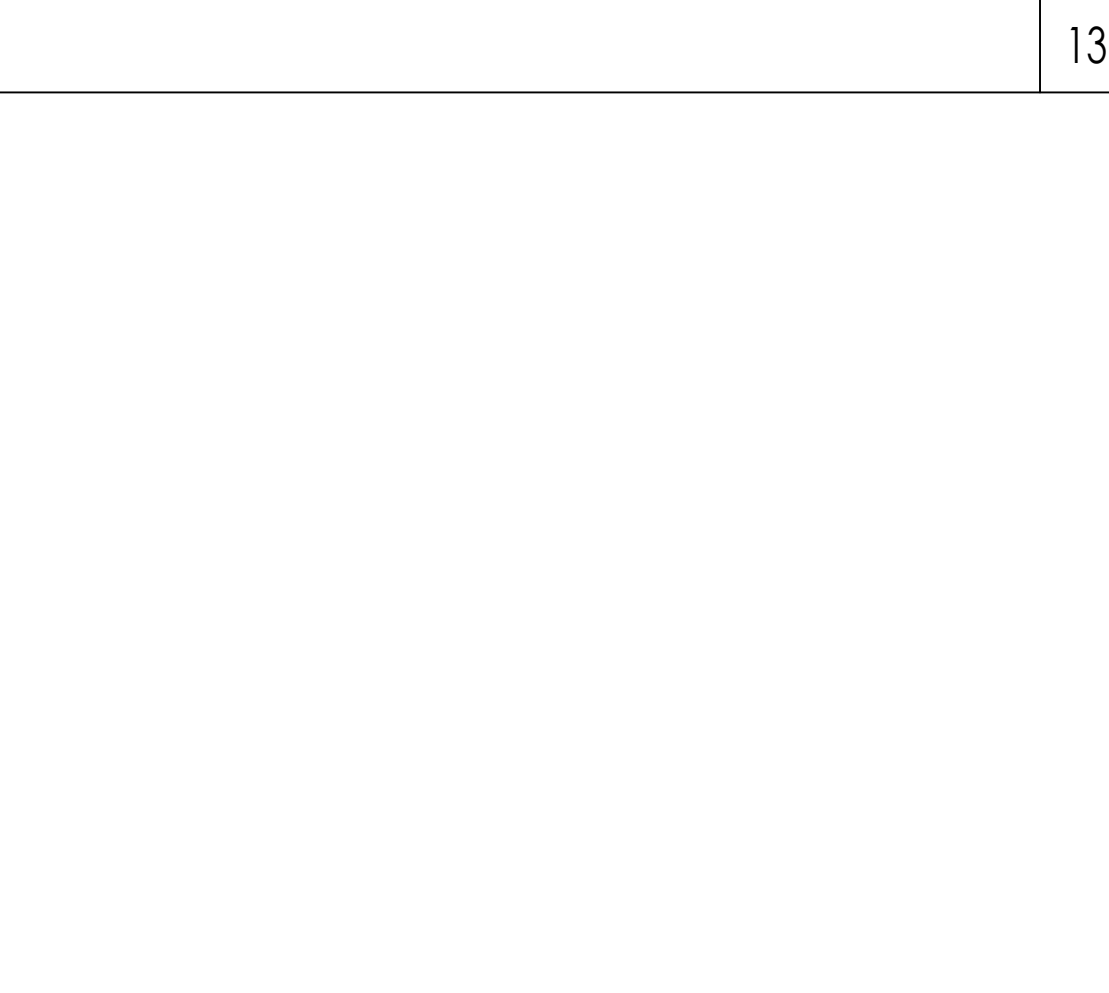
54 NON-BEARING WALL ANCHORAGE @ SOG
2727-01-C1022 - S311



44 NON-BEARING WALL ANCHORAGE @ SOG
2727-01-C1022 - S311



24 TYPICAL VERT PIPES OR COND THROUGH FOOTING
2727-01-C1022 - S311



14 TYPICAL VERT PIPES OR COND THROUGH FOOTING
2727-01-C1022 - S311

COUNTY OF SAN LUIS OBISPO
ACCESSORY DWELLING UNIT
SAN LUIS OBISPO, CA
CONCRETE DETAILS

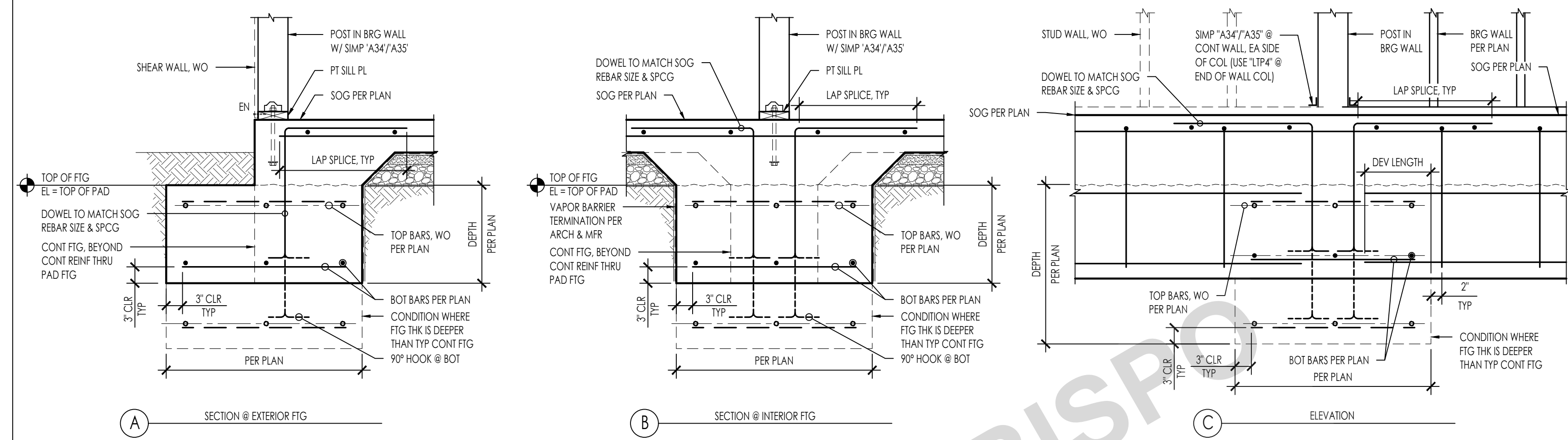
DATE
11/20/2023
SHEET

S-311

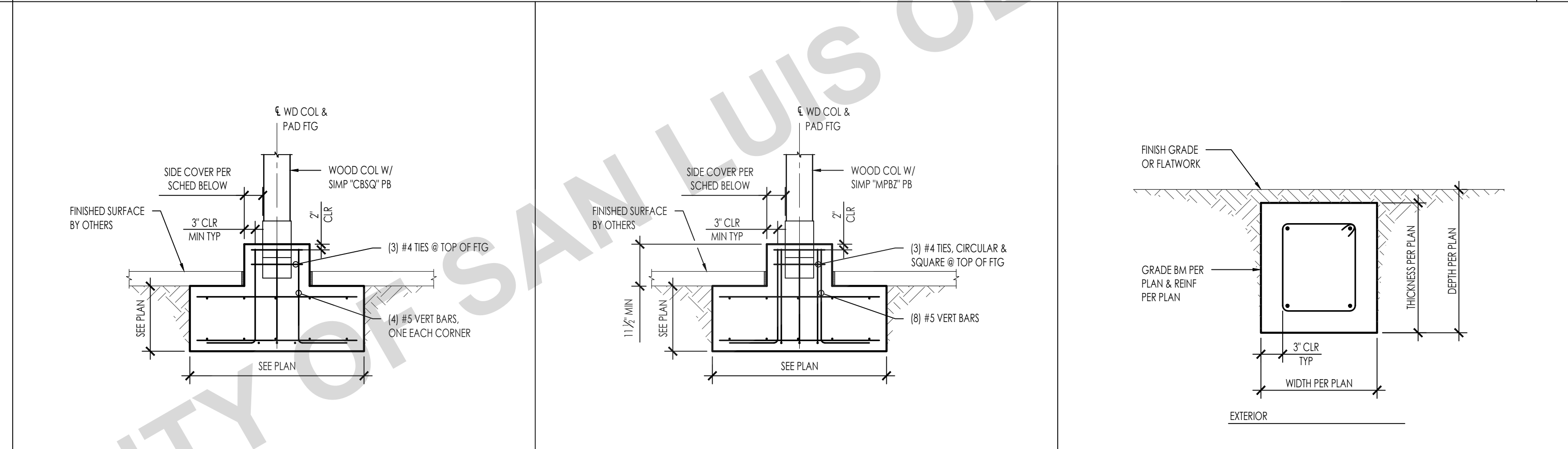
N:\2000\2727-01-c1022-alo-county\adu\structural\ConDoc\Sheet\Reb\2727-01-C1022 - S311.dwg, PLAN 5 - S311, Nov 20, 2023, 3:29pm, dspace



THESE PLANS ARE PROVIDED BY THE COUNTY OF SAN LUIS OBISPO AS PART OF THE PRE-APPROVED ADU PROGRAM AND ARE PUBLIC DOMAIN. THERE CANNOT BE A CHARGE TO PROVIDE THESE PLANS. NO ALTERATIONS TO THESE PLANS ARE ALLOWED. ALL ALTERATIONS MUST BE DONE UNDER A SEPARATE PERMIT ONCE THE BUILDING PERMIT FOR THE ADU HAS BEEN ISSUED AND FINAL INSPECTION COMPLETED. IF YOU DO NOT HAVE THE CONSTRUCTION KNOWLEDGE AND EXPERIENCE TO CONSTRUCT THESE PLANS WITHOUT FURTHER DETAILS, IT IS RECOMMENDED YOU HIRE A CONTRACTOR TO DO THE CONSTRUCTION. THE CITY WILL NOT PROVIDE FURTHER INFORMATION OR DETAILS AND BUILDING INSPECTORS WILL NOT PROVIDE STEP BY STEP INSTRUCTIONS IN THE FIELD.



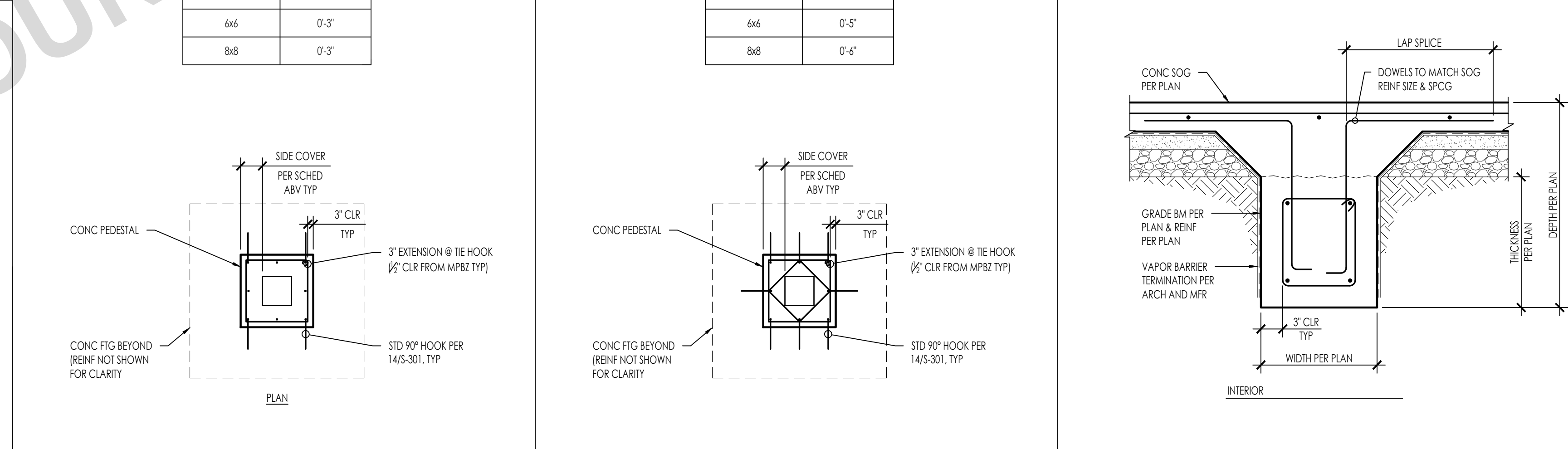
51 41 SPREAD FOOTING @ BEARING WALL POST 3/4" = 1'-0" 11



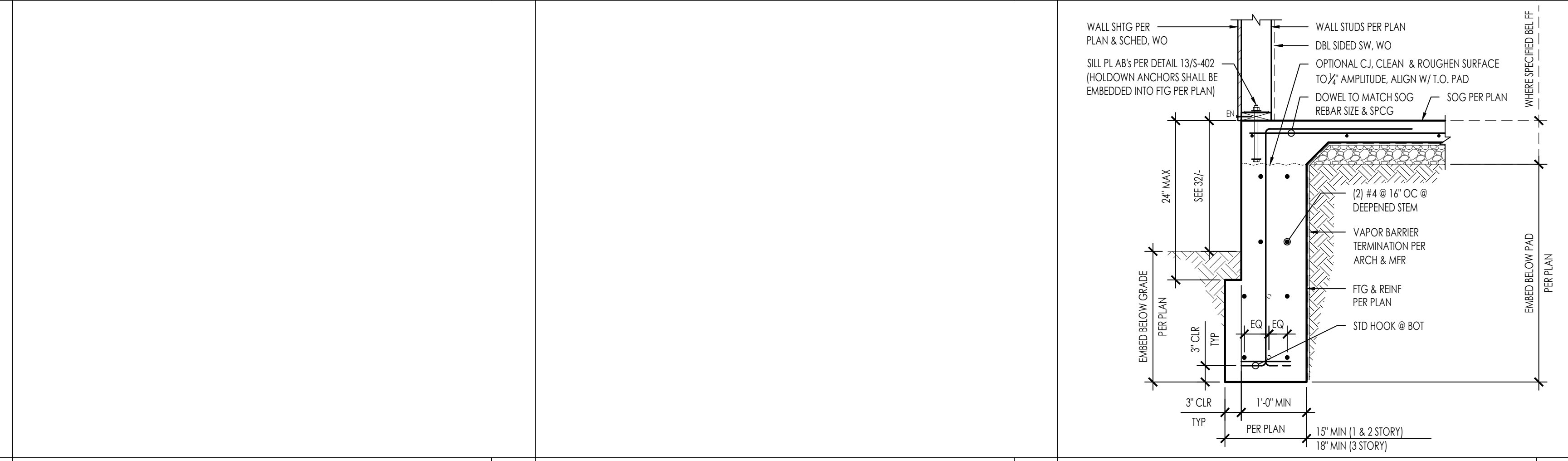
POST SIZE	MIN. SIDE COVER
4x4	0'-3"
6x6	0'-3"
8x8	0'-3"

POST SIZE	MIN. SIDE COVER
4x4	0'-4"
6x6	0'-5"
8x8	0'-6"

52 42 11/2" = 1'-0" 13



53 43 PORCH PAD FOOTING 1/2" = 1'-0" 33 54 44 DEPEND EXTERIOR FOOTING 3/4" = 1'-0" 14



54 44 DEPEND EXTERIOR FOOTING 3/4" = 1'-0" 14

COUNTY OF SAN LUIS OBISPO
 ACCESSORY DWELLING UNIT
 SAN LUIS OBISPO, CA
 CONCRETE DETAILS

DATE
 11/20/2023
 SHEET

S-312

N:\2000\2727-01-c029-00-county\ad\structural\ConDoc\Sheet\2727-01-C102-5312.dwg, PLAN 5, \$312, Nov 20, 2023, 3:29pm, adpape

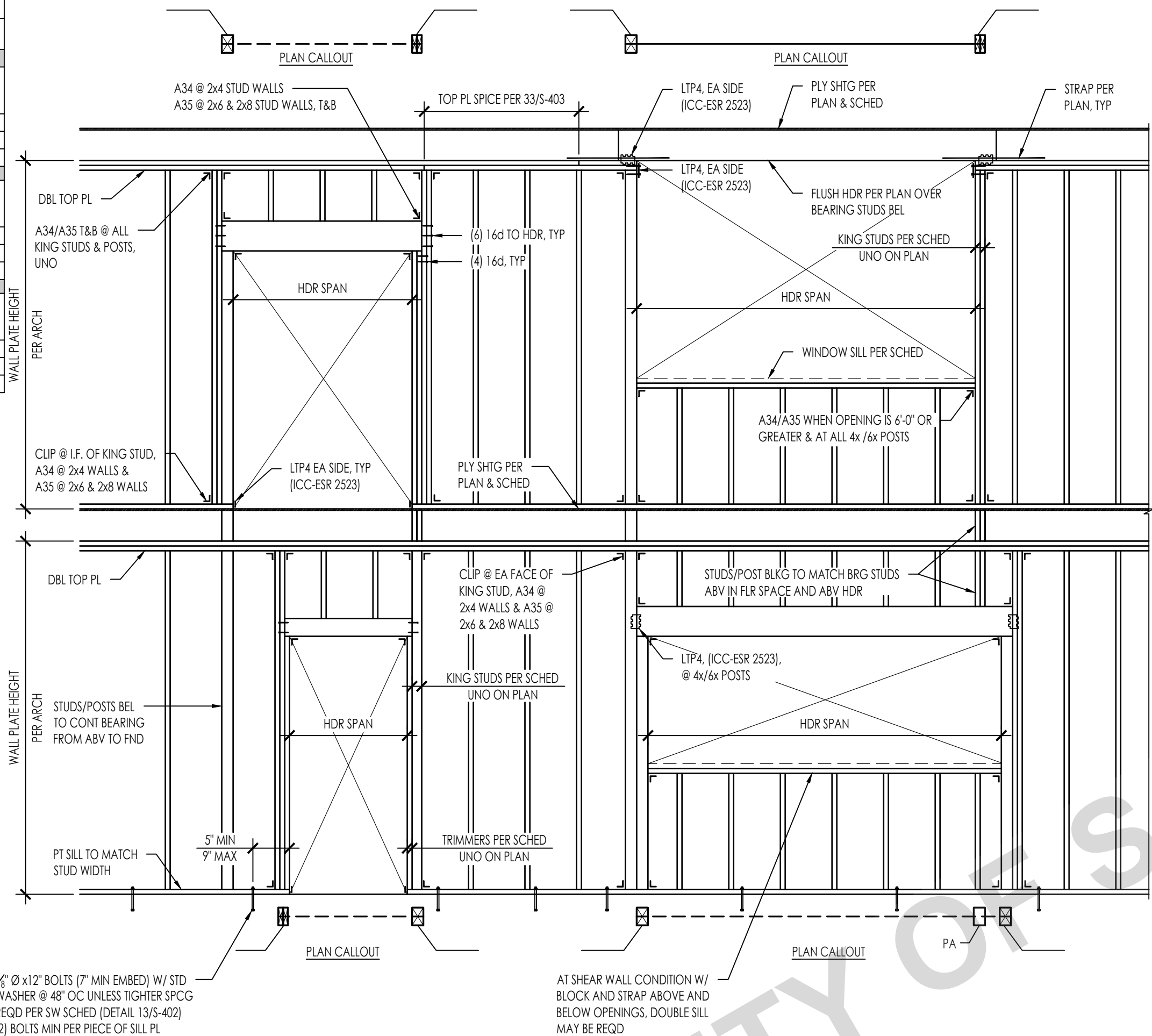


THESE PLANS ARE PROVIDED BY THE COUNTY OF SAN LUIS OBISPO AS PART OF THE PRE-APPROVED ADU PROGRAM AND ARE PUBLIC DOMAIN. THERE CANNOT BE A CHARGE TO PROVIDE THESE PLANS. NO ALTERATIONS TO THESE PLANS ARE ALLOWED. ALL ALTERATIONS MUST BE DONE UNDER A SEPARATE PERMIT ONCE THE BUILDING PERMIT FOR THE ADU HAS BEEN ISSUED AND FINAL INSPECTION COMPLETED. IF YOU DO NOT HAVE THE CONSTRUCTION KNOWLEDGE AND EXPERIENCE TO CONSTRUCT THESE PLANS WITHOUT FURTHER DETAILS, IT IS RECOMMENDED YOU HIRE A CONTRACTOR TO DO THE CONSTRUCTION. THE CITY WILL NOT PROVIDE FURTHER INFORMATION OR DETAILS AND BUILDING INSPECTORS WILL NOT PROVIDE STEP BY STEP INSTRUCTIONS IN THE FIELD.

BEARING/SHEAR WALL HEADER SCHEDULE												
4 INCH WALLS					3-STORY			2-STORY			1-STORY	
OPENING WIDTH	4x HEADER	SILL AT WINDOW	POST / TRIMMER	KING STUDS	3-STORY	2-STORY	1-STORY	OPENING WIDTH	6x HEADER	SILL AT WINDOW	POST / TRIMMER	KING STUDS
UP TO 3'-0"	4x4	2x	2x4	2x4				UP TO 3'-0"	6x4	2x	2x6	2x6
3'-0" - 5'-0"	4x6	2x	2x4	2x4				3'-0" - 5'-0"	6x6	2x	2x6	2x6
5'-0" - 7'-0"	4x8	(2) 2x	(2) 2x4	(2) 2x4				5'-0" - 7'-0"	6x8	(2) 2x	2x6	(2) 2x6

BEARING/SHEAR WALL HEADER SCHEDULE												
8 INCH WALLS					3-STORY			2-STORY			1-STORY	
OPENING WIDTH	8x HEADER	SILL AT WINDOW	POST / TRIMMER	KING STUDS	3-STORY	2-STORY	1-STORY	OPENING WIDTH	6x HEADER	SILL AT WINDOW	POST / TRIMMER	KING STUDS
UP TO 3'-0"	6x8 FLAT	2x	2x6	2x6				UP TO 3'-0"	6x6	2x	2x6	2x6
3'-0" - 5'-0"	6x8 FLAT	2x	2x6	2x6				3'-0" - 5'-0"	6x8	2x	2x6	2x6
5'-0" - 7'-0"	6x8 FLAT	(2) 2x	2x6	(2) 2x6				5'-0" - 7'-0"	6x12	(2) 2x	2x6	(2) 2x6

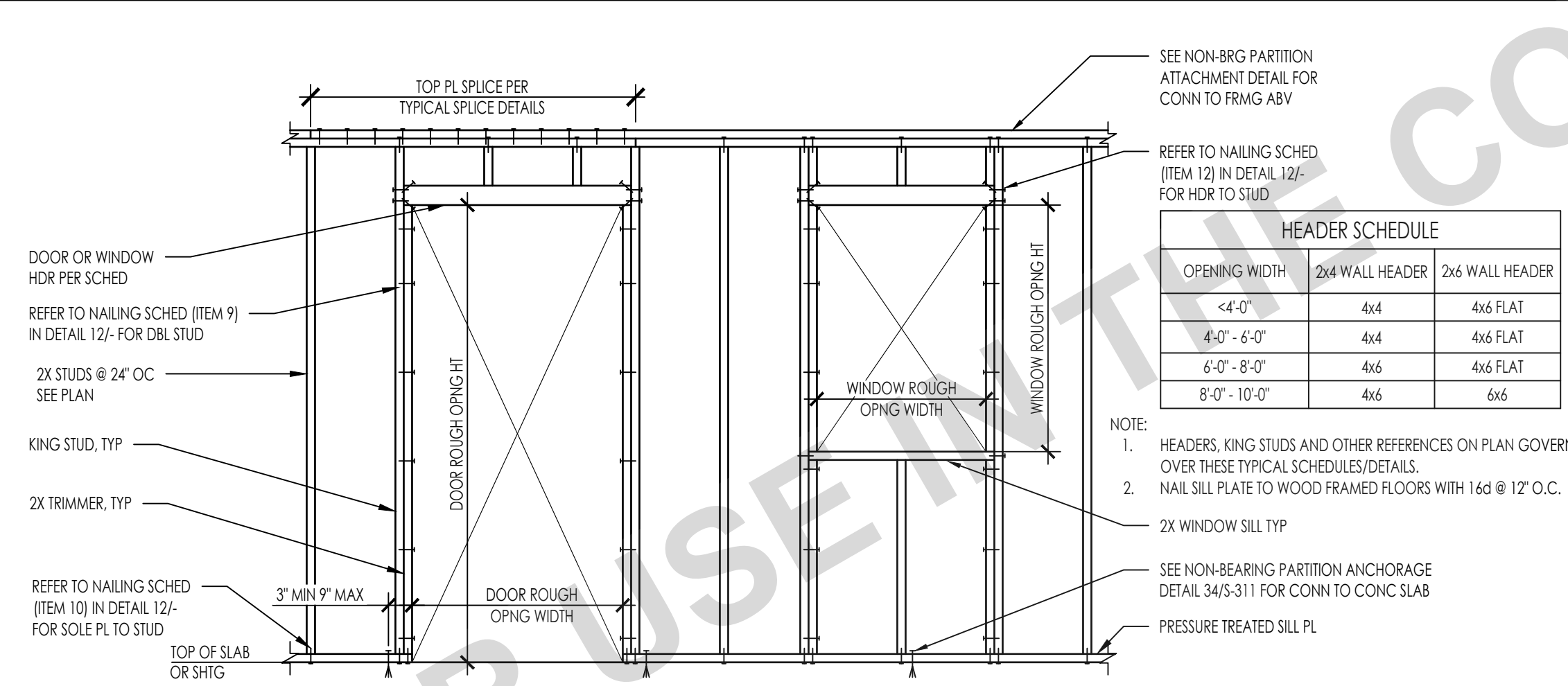
NOTES:
 1. THIS DETAIL APPLIES AT ALL EXT WALLS AND INT LOAD BEARING WALLS AND ALSO APPLIES TO SHEAR WALL FRAMING
 A. FOR SHEAR WALLS SEE 3415-402 FOR ADD'L REQUIREMENTS.
 B. FOR INTERIOR NON-BEARING PARTITIONS SEE DETAIL 431.
 2. HEADERS, KING STUDS AND OTHER REFERENCES ON PLAN GOVERN OVER THIS TYPICAL SCHED/DETAILS
 3. PROVIDE A34 @ 4" WALLS & A35 @ 6" OR GREATER WALLS (ICC-ESR 2523)



FASTENING SCHEDULE PER 2022 CBC 2304.10.1		
CONNECTION	FASTENING	LOCATION
1. BLOCKING BETWEEN CEILING JOISTS, RAFTERS OR TRUSSES TO TOP PLATE OR OTHER FRAMING BELOW	3-8d COMMON	EACH END, TOENAIL
2. BLOCKING BETWEEN RAFTERS OR TRUSSES NOT AT THE WALL TO TOP PLATE, TO RAFTER OR TRUSS	2-8d COMMON	EACH END, TOENAIL
3. FLAT BLOCKING TO TRUSS AND WEB FILLER	2-16d COMMON	END NAIL
4. CEILING JOIST TO TOP PLATE	1-6d COMMON @ 6" OC	FACE NAIL
5. CEILING JOIST NOT ATTACHED TO PARALLEL RAFTER, LAPS OVER PARTITIONS	3-8d COMMON	EACH JOIST, TOENAIL
6. CEILING JOIST ATTACHED TO PARALLEL RAFTER (HEEL JOINT)	3-16d COMMON	FACE NAIL
7. COLLAR TIE TO RAFTER	3-10d COMMON	FACE NAIL
8. RAFTER OR ROOF TRUSS TO PLATE	3-10d COMMON	TOENAIL ²
9. ROOF RAFTER TO RIDGE VALLEY OR HIP RAFTER; OR ROOF RAFTER TO 2-INCH RIDGE BEAM	2-16d COMMON	END NAIL
10. STUD TO STUD AND ABUTTING STUDS AT INTERSECTING WALL CORNERS	3-10d COMMON	TOENAIL
11. BUILT-UP HEADER (2" TO 2" HEADER)	1-6d COMMON	1/4" OC EACH EDGE, FACE NAIL
12. CONTINUOUS HEADER TO STUD	4-10d COMMON	TOENAIL
13. TOP PLATE TO TOP PLATE	1-6d COMMON	1/4" OC FACE NAIL
14. TOP PLATE TO TOP PLATE, AT END JOINTS	8-16d COMMON	EACH SIDE OF END JOINT, FACE NAIL (MINIMUM 24" LAP SPURCE LENGTH EACH SIDE OF END JOINT)
15. BOTTOM PLATE TO JOIST, RIM JOIST, BAND JOIST OR BLOCKING	2-16d COMMON	1/4" OC FACE NAIL
16. STUD TO TOP OR BOTTOM PLATE	4-8d COMMON	TOENAIL
17. TOP PLATES, LAPS AT CORNERS AND INTERSECTIONS	2-16d COMMON	FACE NAIL
18. JOIST TO SILL, TOP PLATE, OR GIRDER	3-8d COMMON	TOENAIL
20. RIM JOIST, BAND JOIST, OR BLOCKING TO TOP PLATE, SILL OR OTHER FRAMING BELOW	8d COMMON	6" OC, TOENAIL
21. 1"x6" SUBFLOOR OR LESS TO EACH JOIST	2-8d COMMON	FACE NAIL
22. 2" SUBFLOOR TO JOIST OR GIRDER	2-16d COMMON	FACE NAIL
23. BUILT-UP GIRDER AND BEAMS, 2" LUMBER LAYERS	20d COMMON (4" x 0.192)	3/2" OC FACE NAIL AT TOP AND BOTTOM STAGGERED ON OPPOSITE SIDE
24. LEDGER STRIP SUPPORTING JOIST OR RAFTERS	3-16d COMMON	EACH JOIST OR RAFTER, FACE NAIL
26. JOIST TO BAND JOIST OR RIM JOIST	3-16d COMMON	END NAIL
27. BRIDGING OR BLOCKING TO JOIST, RAFTER OR TRUSS	2-8d COMMON	EACH END, TOENAIL

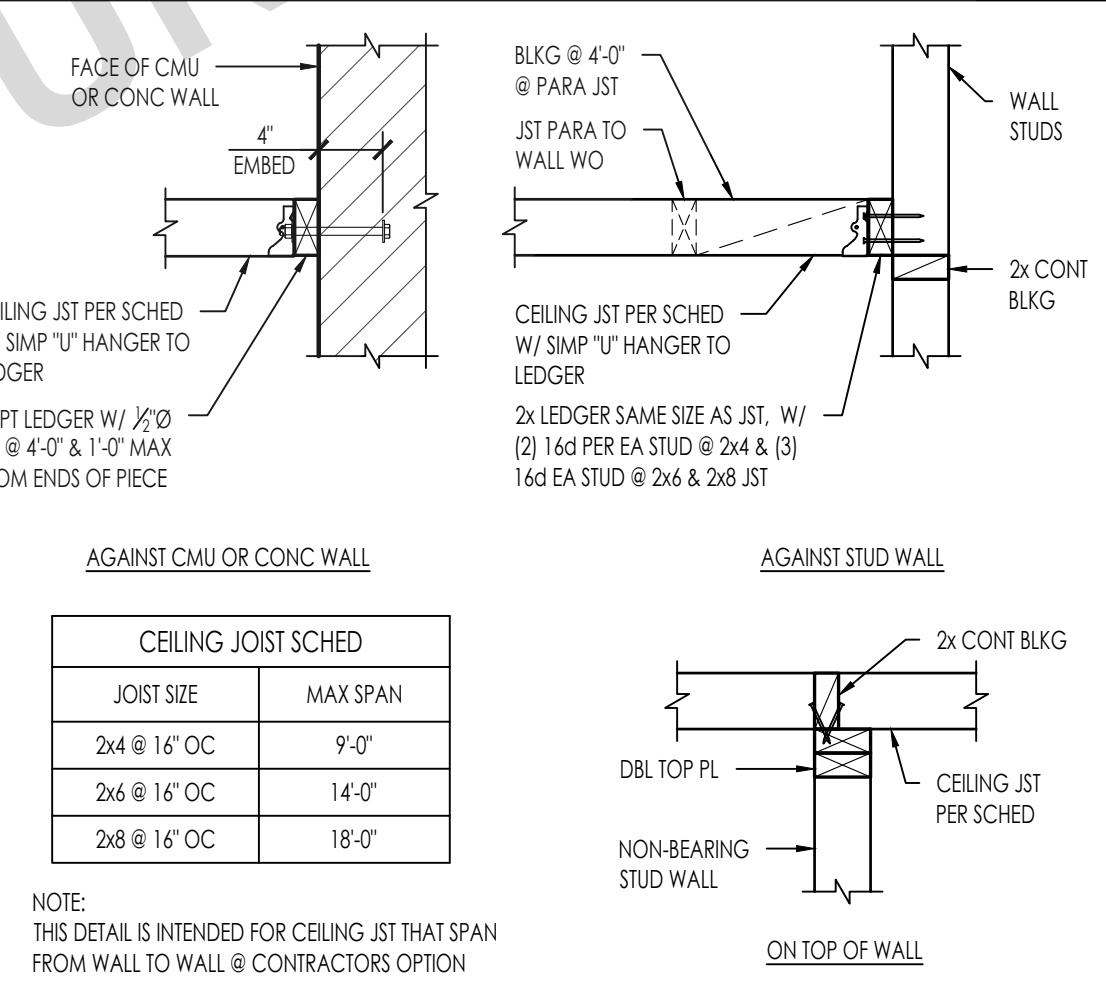
NOTES:
 a. THIS NAILING SCHEDULE SHALL ONLY BE USED IF CONDITION IS NOT OTHERWISE DETAILED OR SPECIFIED ON THE CONSTRUCTION DOCUMENTS. COMMON NAILS SHALL BE USED EXCEPT WHERE OTHERWISE STATED
 b. WHERE A RAFTER IS FASTENED TO AN ADJACENT PARALLEL CEILING JOIST IN ACCORDANCE WITH THIS SCHEDULE AND THE CEILING JOIST IS FASTENED TO THE TOP PLATE IN ACCORDANCE WITH THIS SCHEDULE, THE NUMBER OF TOENAILS IN THE RAFTER SHALL BE PERMITTED TO BE REDUCED BY ONE NAIL

EXTERIOR WALL / INTERIOR WALL BEARING WALL FRAMING



HEADER SCHEDULE		
OPENING WIDTH	2x4 WALL HEADER	2x6 WALL HEADER
< 4'-0"	4x4	4x6 FLAT
4'-0" - 6'-0"	4x4	4x6 FLAT
6'-0" - 8'-0"	4x6	4x6 FLAT
8'-0" - 10'-0"	4x6	6x6

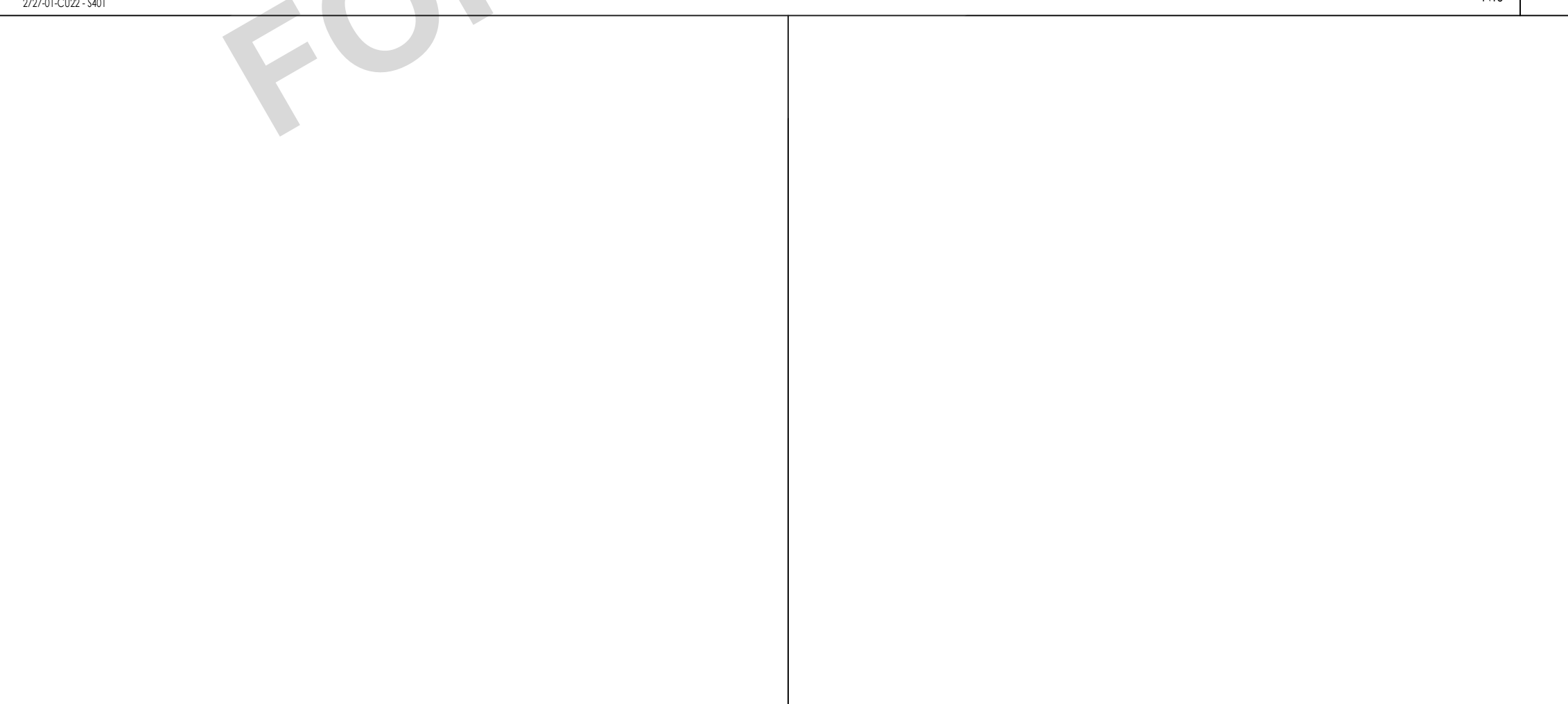
NOTE:
 1. HEADERS, KING STUDS AND OTHER REFERENCES ON PLAN GOVERN OVER THESE TYPICAL SCHEDULES/DETAILS.
 2. NAIL SILL PLATE TO WOOD FRAMED FLOORS WITH 16d @ 12" O.C.



CEILING JOIST SCHED	
JOIST SIZE	MAX SPAN
2x4 @ 16" OC	9'-0"
2x6 @ 16" OC	14'-0"
2x8 @ 16" OC	18'-0"

NOTE:
 THIS DETAIL IS INTENDED FOR CEILING JST THAT SPAN FROM WALL TO WALL @ CONTRACTORS OPTION

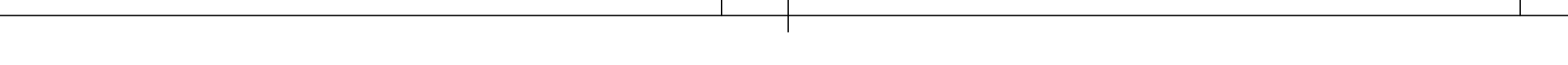
INTERIOR NON-BEARING PARTITION WALL FRAMING



CEILING JOIST SCHED & DETAILS



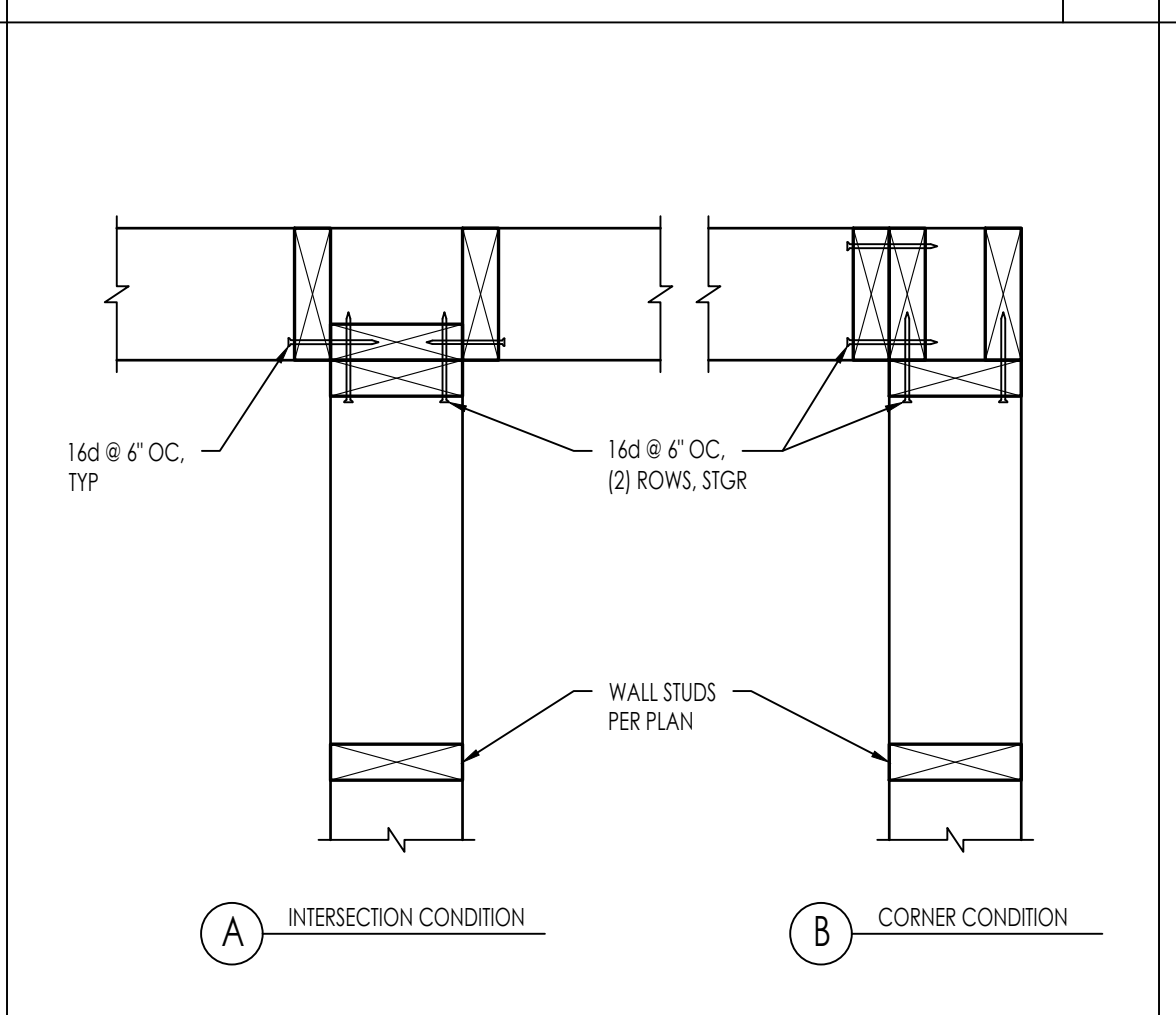
TYPICAL WOOD STUD INTERSECTIONS



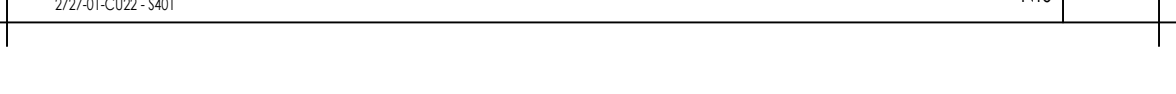
NAILING SCHEDULE



TYPICAL WOOD STUD INTERSECTIONS



MULTI-PLY MEMBER CONNECTION



COUNTY OF SAN LUIS OBISPO
 ACCESSORY DWELLING UNIT
 SAN LUIS OBISPO, CA
 TYPICAL WOOD DETAILS

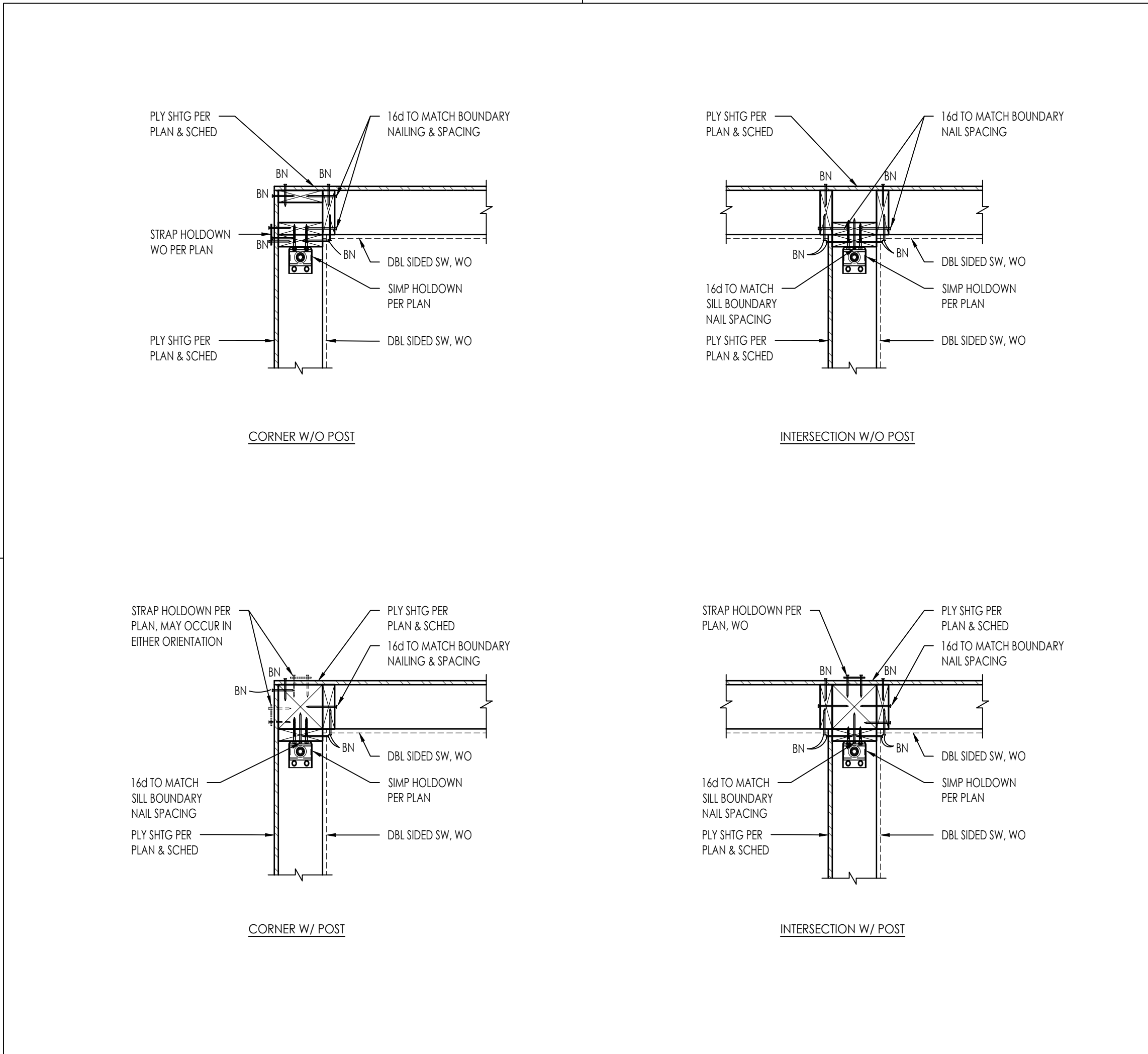
DATE
 11/20/2023
 SHEET

S-401

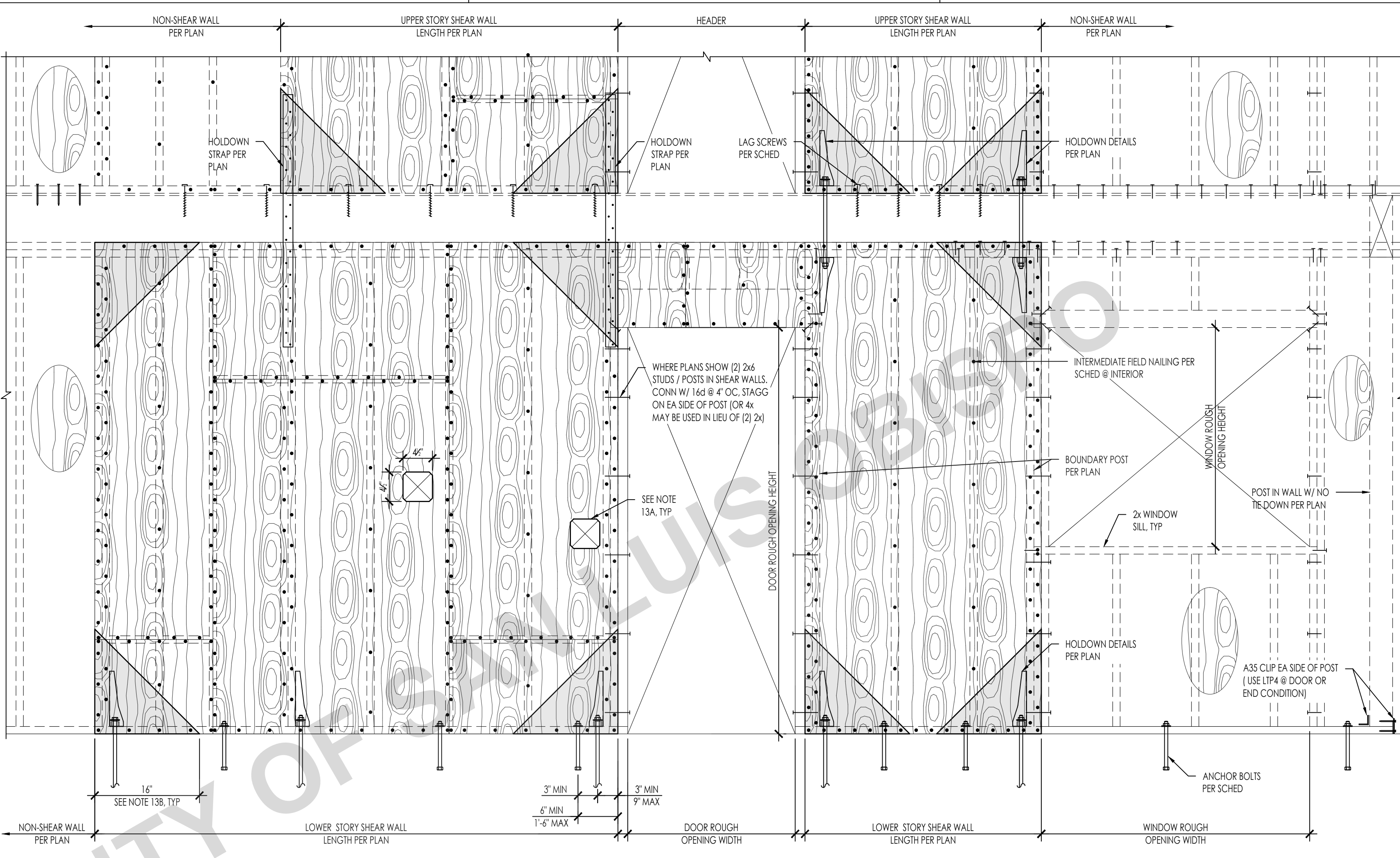
N:\2020\2727\01\c022-acc-county\add\structural\ConDoc\Sheet\2727-01-C022-540.dwg, PLAN 5 - 540, Nov 20, 2023, 3:29pm, dspece



THESE PLANS ARE PROVIDED BY THE COUNTY OF SAN LUIS OBISPO AS PART OF THE PRE-APPROVED ADU PROGRAM AND ARE PUBLIC DOMAIN. THERE CANNOT BE A CHARGE TO PROVIDE THESE PLANS. NO ALTERATIONS TO THESE PLANS ARE ALLOWED. ALL ALTERATIONS MUST BE DONE UNDER A SEPARATE PERMIT ONCE THE BUILDING PERMIT FOR THE ADU HAS BEEN ISSUED AND FINAL INSPECTION COMPLETED. IF YOU DO NOT HAVE THE CONSTRUCTION KNOWLEDGE AND EXPERIENCE TO CONSTRUCT THESE PLANS WITHOUT FURTHER DETAILS, IT IS RECOMMENDED YOU HIRE A CONTRACTOR TO DO THE CONSTRUCTION. THE CITY WILL NOT PROVIDE FURTHER INFORMATION OR DETAILS AND BUILDING INSPECTORS WILL NOT PROVIDE STEP BY STEP INSTRUCTIONS IN THE FIELD.



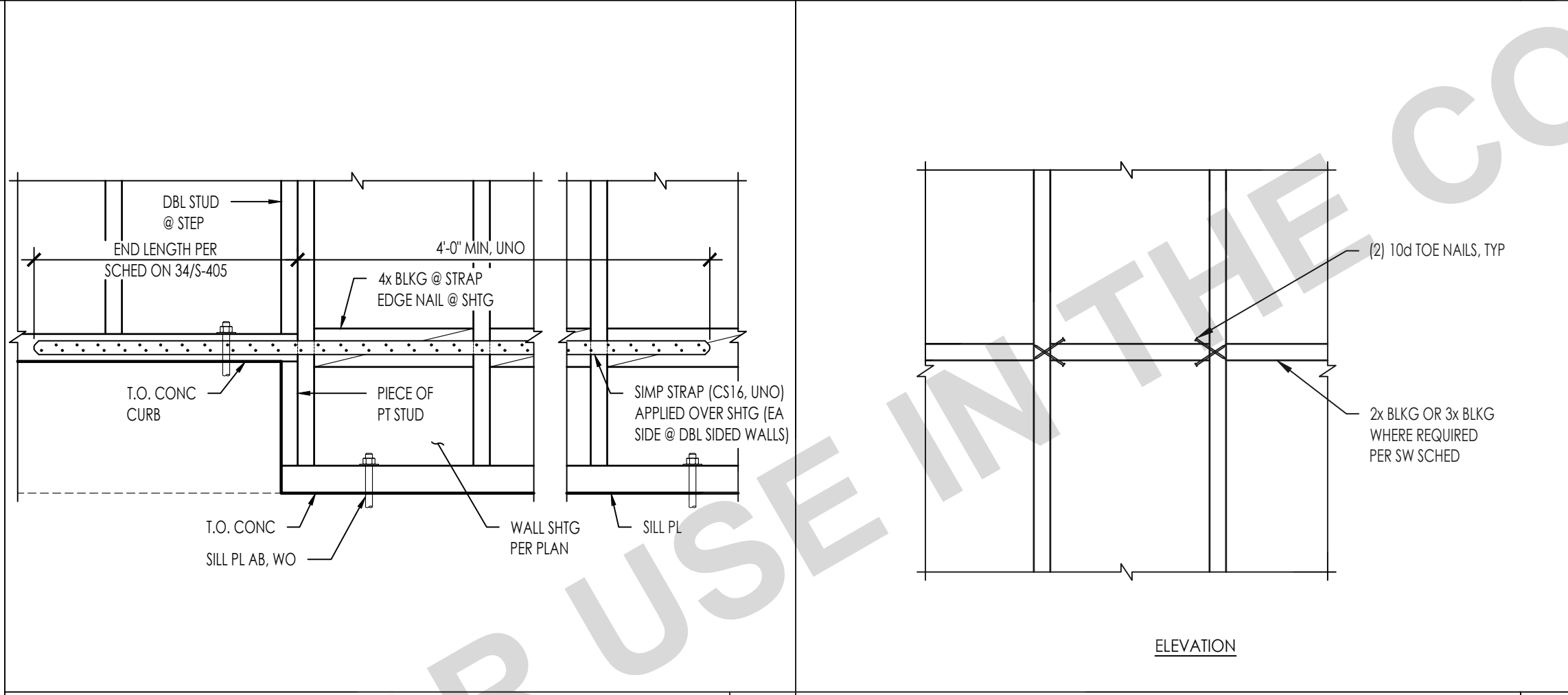
SHEAR WALL INTERSECTION NTS 42



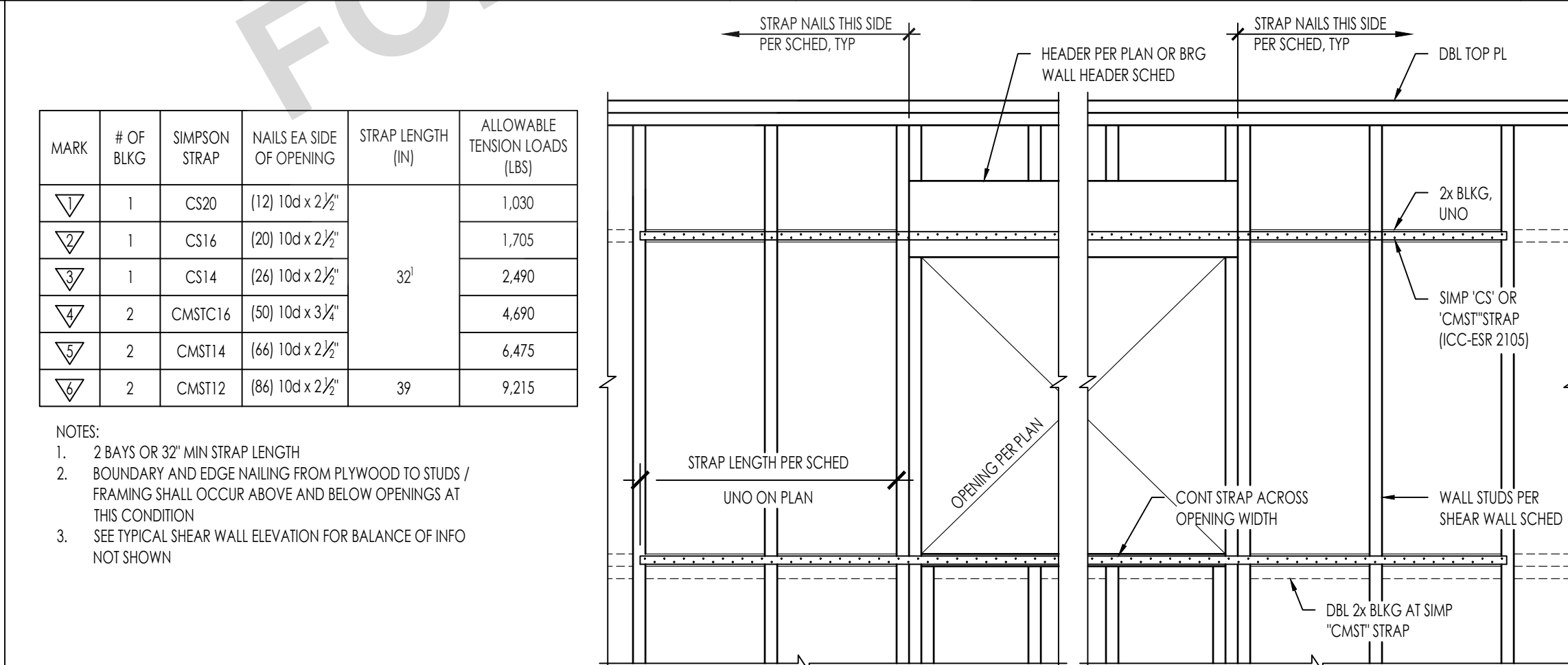
TYPICAL SHEAR WALL ELEVATION AND SCHEDULE NTS 13

WALL SYMBOL	STRUCT SHEATHING	FRAMING SIZE	NAILING			SILL NAILING		A35s	ANCHOR BOLTING	CAPACITY PER 2015 AWC SDPWS
			(2) 2x STUD	EDGE	INTERMEDIATE SUPPORTS	NAILS / LAG SCREWS	SDS SCREWS OPTION			
15/32' STRUCT 1 PLYWOOD	2x	10d @ 7' OC	8d @ 6' OC	8d @ 12' OC	16d @ 6' OC	12" OC	24" OC	5/8" DIA @ 48" OC	280 PLF	
15/32' STRUCT 1 PLYWOOD	2x	10d @ 8' OC	10d @ 6' OC	10d @ 12' OC	5/8" LAG SCREWS @ 16" OC	12" OC	16" OC	5/8" DIA @ 48" OC	340 PLF	
15/32' STRUCT 1 PLYWOOD	2x	10d @ 5' OC	10d @ 4' OC	10d @ 12' OC	5/8" LAG SCREWS @ 16" OC	8" OC	12" OC	5/8" DIA @ 32" OC	510 PLF	
15/32' STRUCT 1 PLYWOOD	2x	10d @ 4' OC	10d @ 3' OC	10d @ 12' OC	5/8" LAG SCREWS @ 16" OC	6" OC	8" OC	5/8" DIA @ 32" OC	665 PLF	
15/32' STRUCT 1 PLYWOOD	2x	10d @ 3' OC	10d @ 2' OC	10d @ 12' OC	5/8" LAG SCREWS @ 8" OC	4" OC	8" OC	5/8" DIA @ 24" OC	860 PLF	
15/32' STRUCT 1 PLYWOOD (EACH FACE OF WALL)	3x	(2) 10d @ 5' OC	10d @ 4' OC	10d @ 12' OC	5/8" LAG SCREWS @ 8" OC	(2) @ 8" OC *	6" OC	5/8" DIA @ 16" OC	1020 PLF	
15/32' STRUCT 1 PLYWOOD (EACH FACE OF WALL)	3x	(2) 10d @ 4' OC	10d @ 3' OC	10d @ 8" OC	5/8" LAG SCREWS @ 8" OC	(2) @ 6" OC *	A34 @ 4" OC	5/8" DIA @ 16" OC	1330 PLF	
15/32' STRUCT 1 PLYWOOD (EACH FACE OF WALL)	3x	(2) 10d @ 3' OC	10d @ 2' OC	10d @ 6" OC	5/8" LAG SCREWS @ 6" OC	(2) @ 4" OC *	LTP4 @ 4" OC	5/8" DIA @ 8" OC	1740 PLF	

- NOTES:
- ALL PLYWOOD SHALL BE 5 PLY MINIMUM WITH A SPAN RATING OF 32/16 AND ALL PANEL EDGES SHALL BE BLOCKED. PROVIDE 1/8" GAP AT ALL PANEL JOINTS.
 - ALL NAILS SHALL BE COMMON NAILS.
 - PROVIDE E.N. AT ALL END STUDS, STUDS/POSTS WITH HOLDOWNS OR THE DOWN STRAPS, SILL PLATES AND TOP PLATES.
 - WHERE 10d NAILS ARE 3 INCHES ON CENTER OR LESS, NAILS SHALL BE STAGGERED.
 - NAILS SHALL BE 1/2" INCH MINIMUM FROM PLYWOOD PANEL EDGE AND 3/8" INCH MINIMUM FROM CONNECTING MEMBER EDGE WHERE SHEAR EXCEEDS 300 PLF.
 - USE 3x FRAMING AT BOTTOM SILL PLATES, BLOCKING AND ALL STUDS AT ADJACENT PANEL EDGES WHERE SHEAR EXCEEDS 300 PLF. STRUCTURALLY ACCEPTABLE TO USE (2) 2x INSTEAD OF 3x FRAMING AT BOTTOM SILL PLATES.
 - WHERE SILL SHEAR TRANSFER IS THROUGH LAG SCREWS, SILL PLATE SHALL BE A MINIMUM OF 2 1/2" THICK.
 - LAG SCREWS SHALL BE 6 INCHES LONG AND HOLES ARE TO BE PRE-DRILLED AS TO NOT SPLIT BLOCKING/RIM.
 - SEE ELEVATION ABOVE FOR TYPICAL CONSTRUCTION.
 - REFER TO PLATE WASHER DETAIL FOR REQUIREMENTS.
 - LENGTHY ANCHOR BOLTS AS REQUIRED FOR EMBEDMENT AND SILL PLATE THICKNESS.
 - ORIENTED STRAND BOARD (OSB) MAY BE SUBSTITUTED FOR PLYWOOD NOTED ABOVE PROVIDED IT IS RATED BY APA'S PERFORMANCE STANDARD RATING AND IS OF THE SAME NUMBER OF LAYERS AS PLYWOOD PLY INDICATED.
 - LIMITATIONS OF MECHANICAL PENETRATIONS IN SHEAR WALLS:
 - A. 4 1/2" MAX PENETRATION.
 - B. NO CUTS OR HOLES IN SHEATHING WITHIN 16" OF CORNERS, SQUARE PENETRATIONS SHALL RADIUS EDGES. DO NOT OVER CUT HOLE WITH SAW.
 - ASSUMES A 1 1/4" MIN LSI RIM BOARD. FASTENER EDGE DIST IS 5/8" MIN & 6" END DISTANCE MIN. 2" MIN PENETRATION INTO RIM BOARD.
 - WALL W/ DOUBLE SIDED PLYWOOD REQUIRE (2) RIM BOARDS.
 - SIMPSON LTP4 CLIP SHALL BE INSTALLED IN A HORIZONTAL ORIENTATION. IF CLIP IS INSTALLED OVER THE SHEATHING, 0.131" x 2 1/2" NAILS SHALL BE USED.



TYPICAL BLOCKING DETAIL NTS 43



FORCE TRANSFER AROUND OPENINGS NTS 44

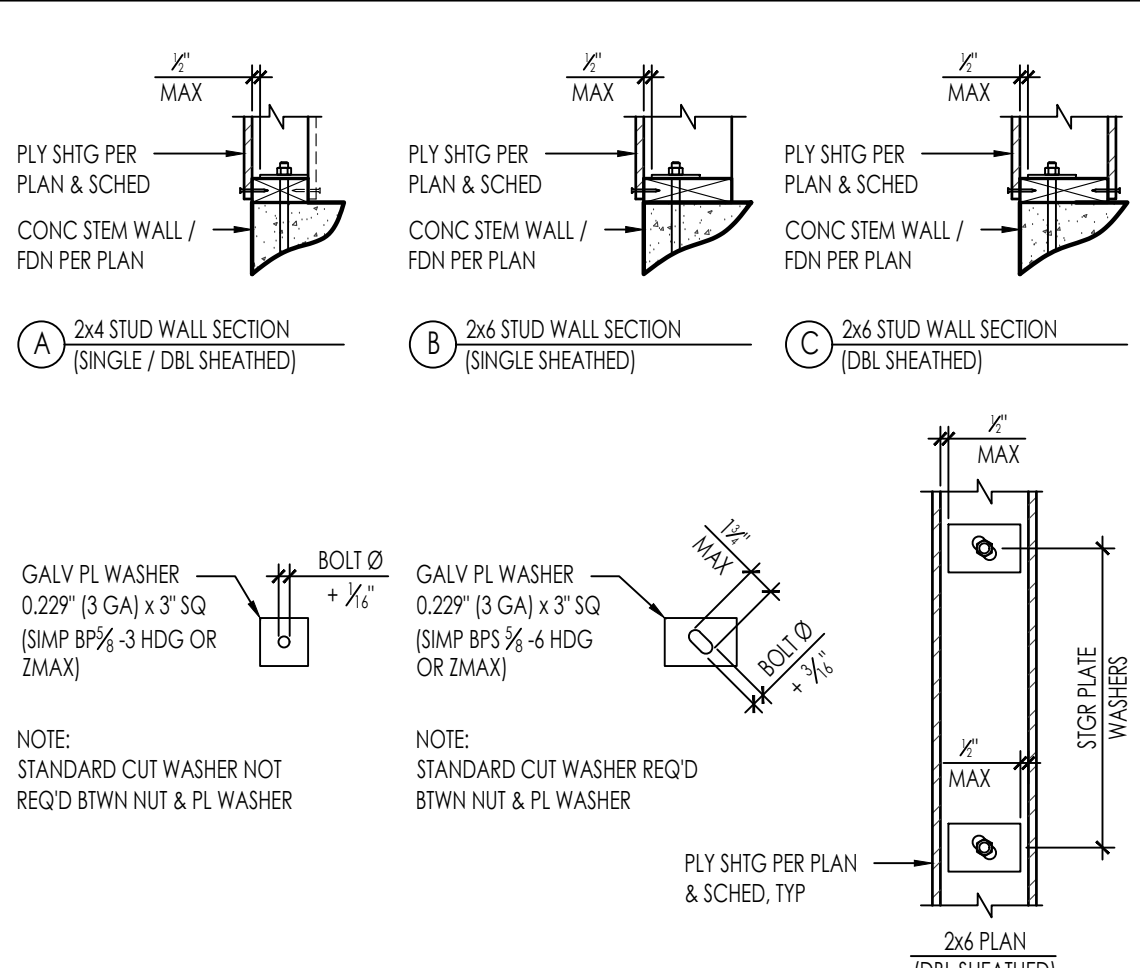
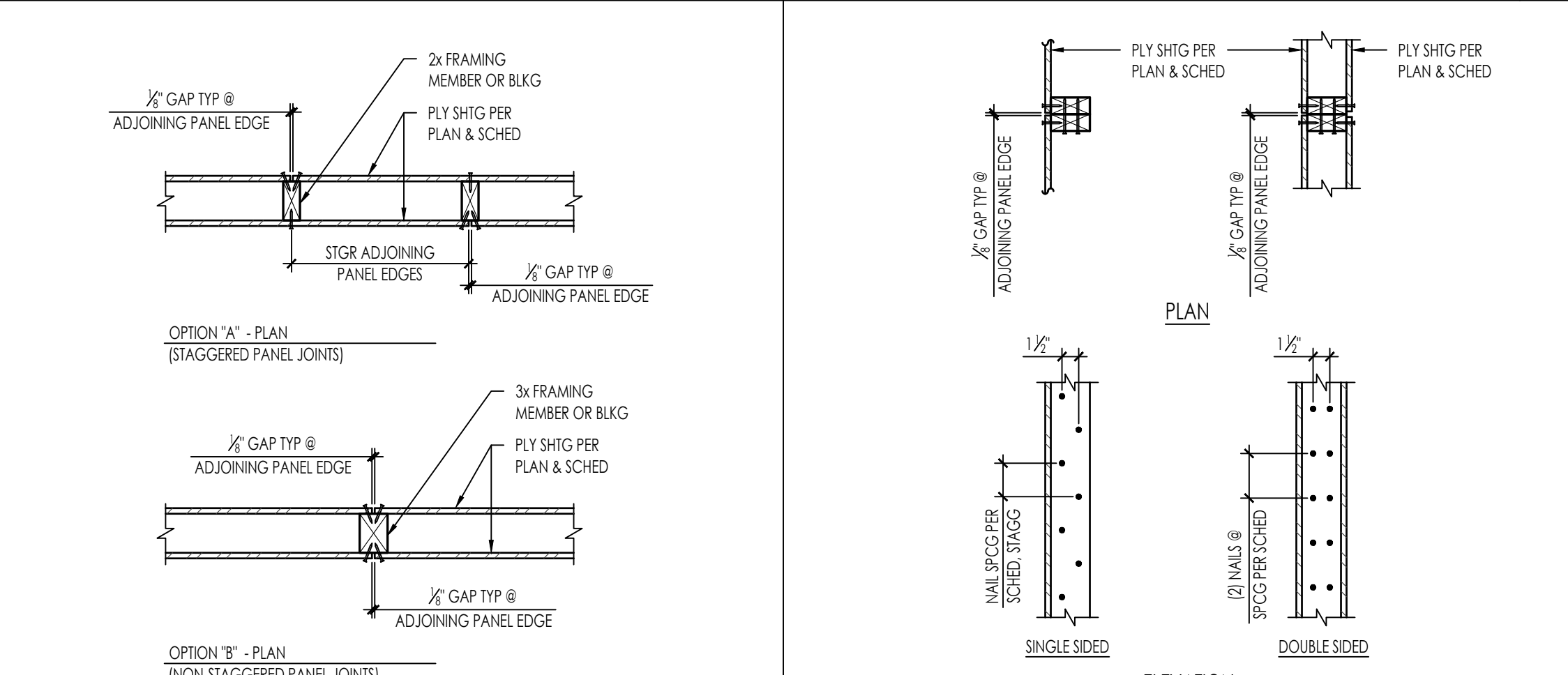


PLATE WASHER DETAIL NTS 34



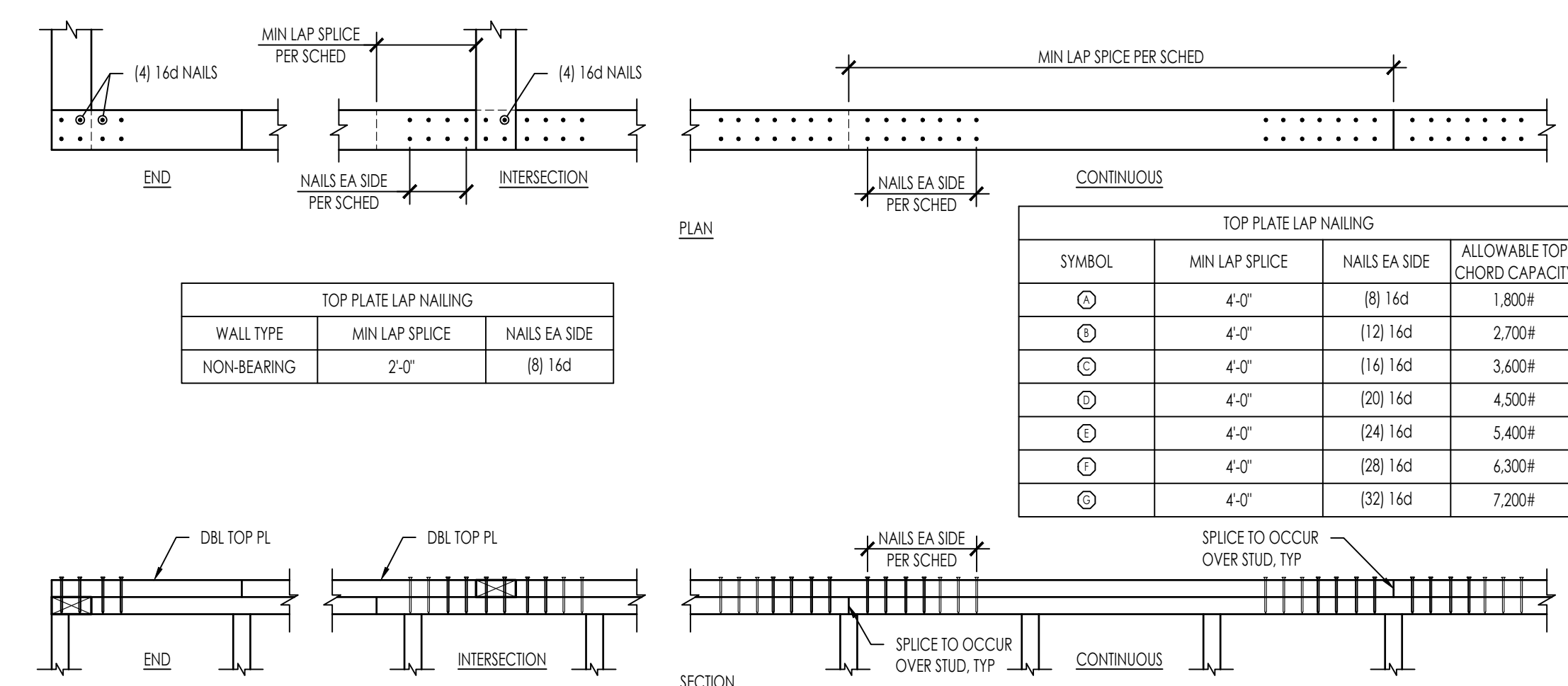
DOUBLE SIDED SHEAR WALL NTS 24

COUNTY OF SAN LUIS OBISPO
ACCESSORY DWELLING UNIT
 SAN LUIS OBISPO, CA

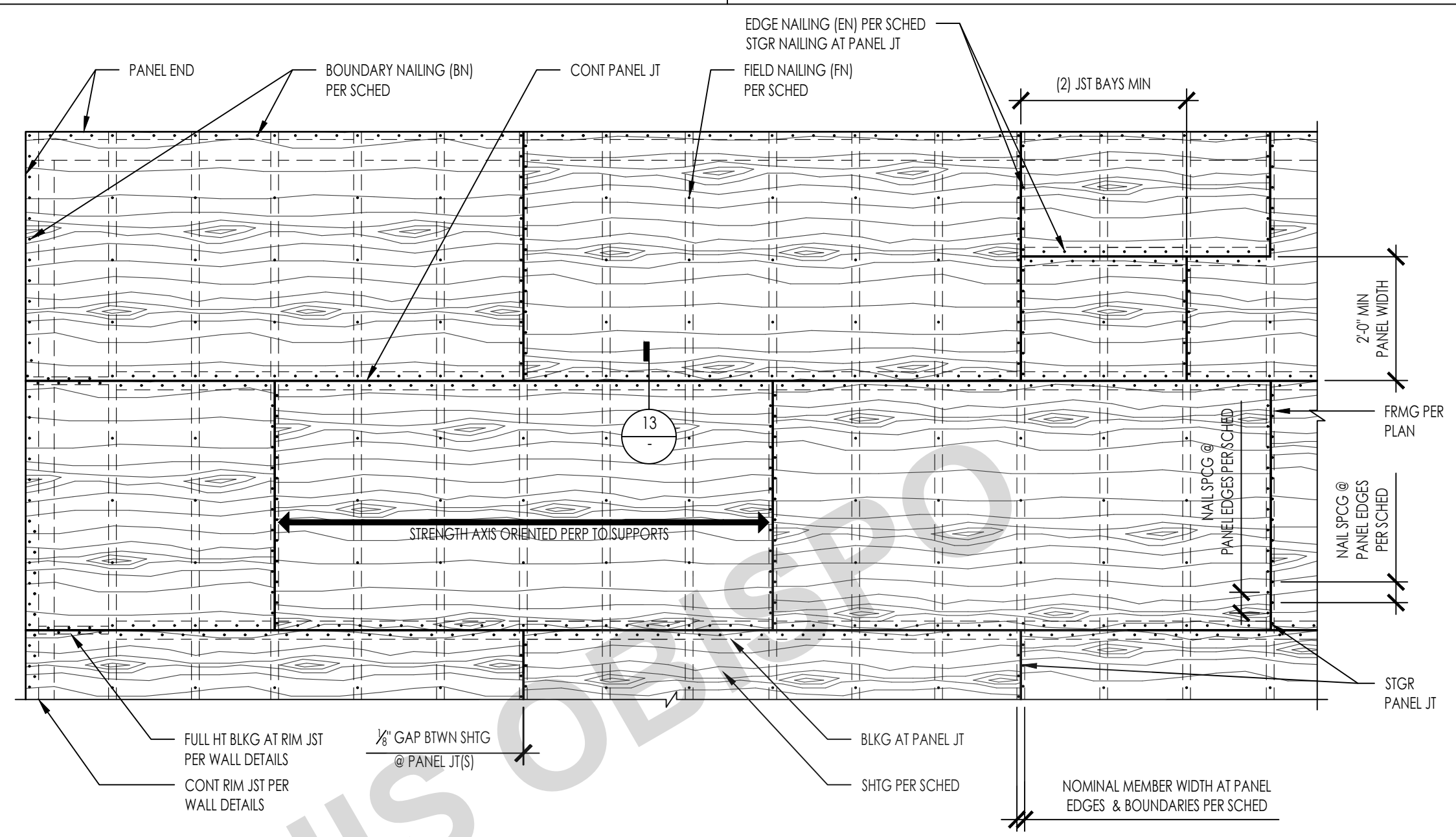
TYPICAL WOOD DETAILS



THESE PLANS ARE PROVIDED BY THE COUNTY OF SAN LUIS OBISPO AS PART OF THE PRE-APPROVED ADU PROGRAM AND ARE PUBLIC DOMAIN. THERE CANNOT BE A CHARGE TO PROVIDE THESE PLANS. NO ALTERATIONS TO THESE PLANS ARE ALLOWED. ALL ALTERATIONS MUST BE DONE UNDER A SEPARATE PERMIT ONCE THE BUILDING PERMIT FOR THE ADU HAS BEEN ISSUED AND FINAL INSPECTION COMPLETED. IF YOU DO NOT HAVE THE CONSTRUCTION KNOWLEDGE AND EXPERIENCE TO CONTRUCT THESE PLANS WITHOUT FURTHER DETAILS, IT IS RECOMMENDED YOU HIRE A CONTRACTOR TO DO THE CONSTRUCTION. THE CITY WILL NOT PROVIDE FURTHER INFORMATION OR DETAILS AND BUILDING INSPECTORS WILL NOT PROVIDE STEP BY STEP INSTRUCTIONS IN THE FIELD.



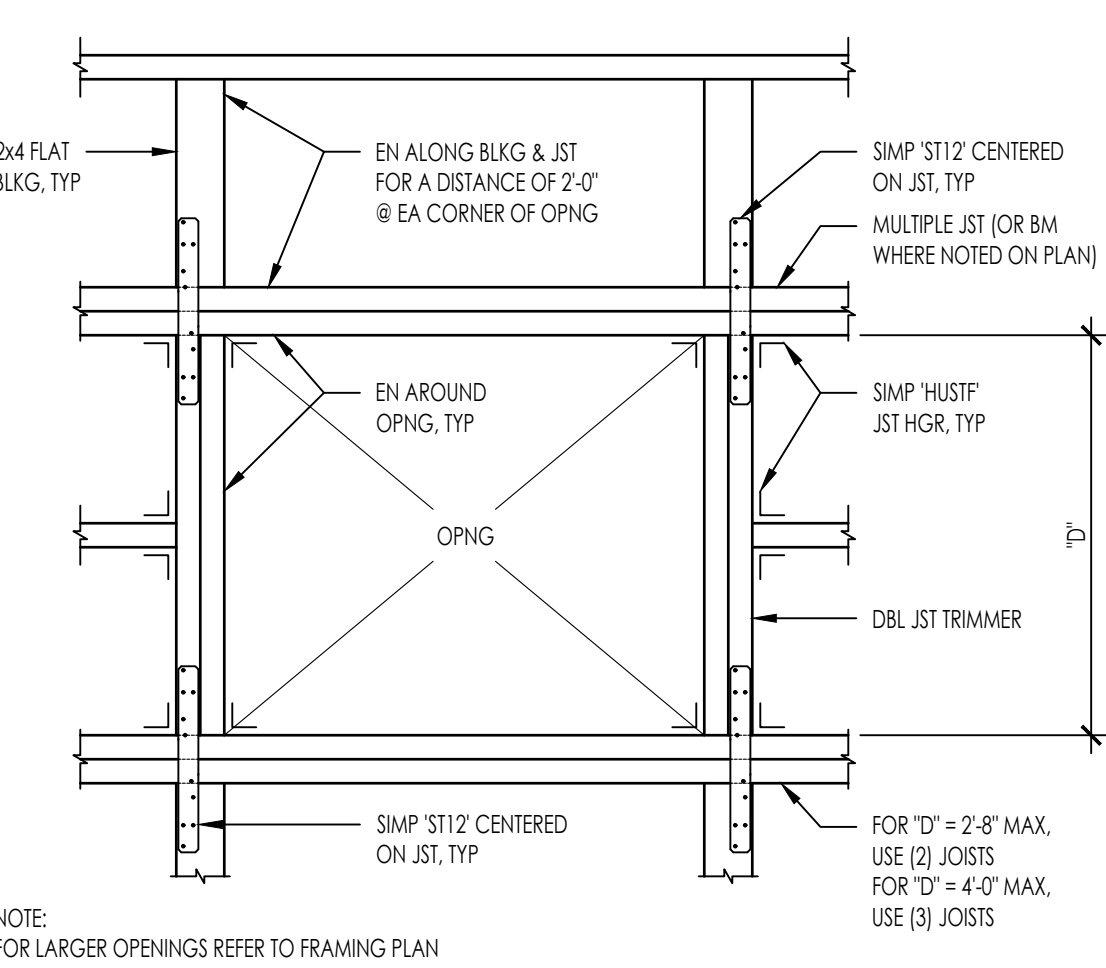
51 DBL TOP PLATE SPLICE NAILING 2727-01-C1022-1403 NTS 32



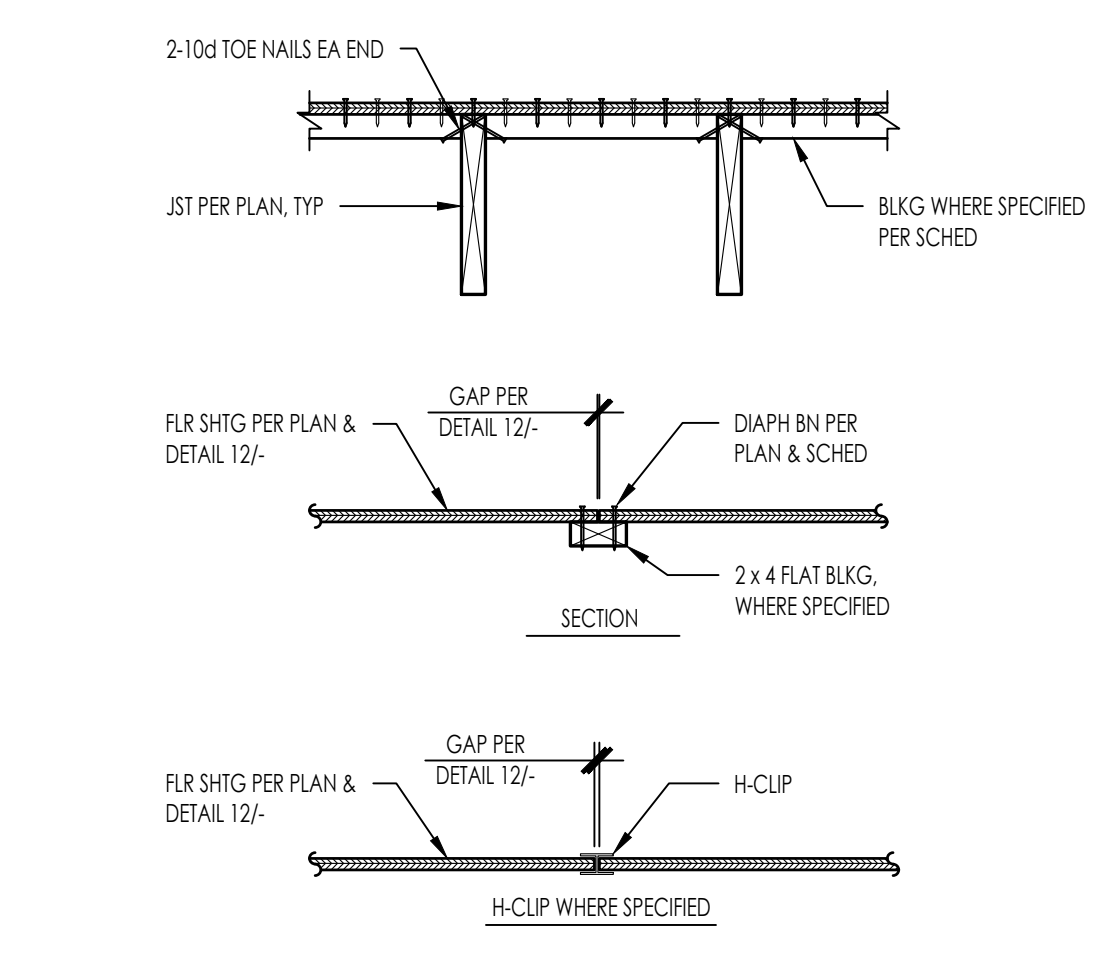
TYPE	LOCATION	SHEATHING THICKNESS	SHEATHING GRADE*	SPAN RATING	BLOCKING	NAILS	BOUNDARY NAILING (BN)	EDGE NAILING AT CONT. PANEL EDGES (EN)	EDGE NAILING AT OTHER PANEL EDGES (EN)	FIELD NAILING (FN)	PANEL EDGE SUPPORT OR NOMINAL MEMBER WIDTH AT PANEL EDGES	LINES OF FASTENERS
A	ROOF	SEE NOTE 5	SHEATHING	32 / 16	NO	10d	6	-	6	12	H-CLIPS	1
B	FLOOR	3/4"	STURD-FLOOR	48 / 24	NO	10d	6	-	6	12	T&G	1
C	FLOOR	3/4"	STURD-FLOOR	48 / 24	YES	10d	2 1/2"	2 1/2"	4	12	2x4 FLAT	1

- NOTES:
- DIAPHRAGM SHALL BE GLUED TO FLOOR FRAMING PRIOR TO NAILING. REFER TO PROJECT GENERAL NOTES.
 - MINIMUM EDGE DISTANCE FOR NAILS SHALL BE 1/2" FROM SHEATHING EDGE AND 3/8" FROM LUMBER EDGE.
 - NAILS SHALL BE DRIVEN TIGHT TO TOP OF PLYWOOD SURFACE AND SHALL NOT PENETRATE THE TOP OF PLYWOOD MORE THAN COMMONLY EXPECTED WITH HAMMER DRIVEN NAILS.
 - WHERE H-CLIPS ARE SPECIFIED, THEY SHOULD BE INSTALLED AS FOLLOWS:
 - ONE H-CLIP SHALL BE PLACED BETWEEN ABUTTING PANELS AT A LOCATION MIDWAY BETWEEN EACH PAIR OF TRUSSES, RAFTERS OR JOISTS. HOWEVER, (2) H-CLIPS ARE REQUIRED BETWEEN SUPPORTS WHEN SPACED 48 INCHES ON CENTER.
 - USE THE SAME SIZE PANEL EDGE CLIP AS THE PANEL THICKNESS. H-CLIPS MUST FIT SNUGLY.
 - ABUTTING WOOD STRUCTURAL PANELS BE FITTED AS CLOSELY AS CLIPS PERMIT. OCCASIONAL MISFIT OF ABUTTING SHEETS MAY BE TOLERATED PROVIDING THAT GAPS DO NOT EXCEED MAXIMUM OPENING OF 1/4".
 - ROOF SHEATHING THICKNESS SHALL BE INSTALLED AS FOLLOWS:
 - 1/2" @ SINGLE PLY OR ASPHALT SHINGLES
 - 3/4" @ TILE
 - 3/4" @ TILE WITH MORTAR
 - STRUCTURALLY ACCEPTABLE TO USE "SHEATHING" SHEATHING GRADE @ FLOOR LOCATIONS WITHOUT GYPCRETE TOPPING

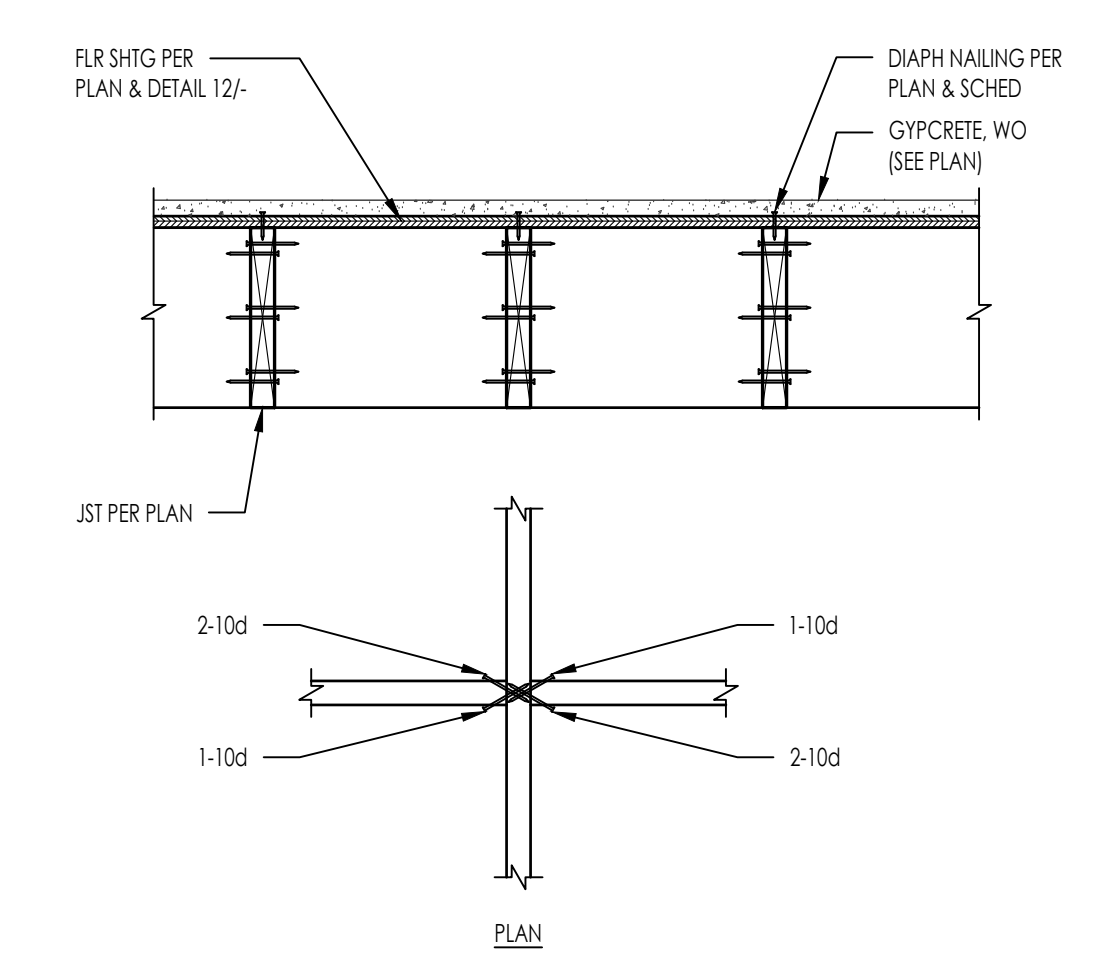
52 42 32 PLYWOOD DIAPHRAGM SHEATHING NTS 12



53 43 33 OPENING AT FRAMING NTS 23



54 44 34 TYP JOIST BLOCKING NTS 14



54 44 34 TYP JOIST BLOCKING NTS 14

COUNTY OF SAN LUIS OBISPO
ACCESSORY DWELLING UNIT
SAN LUIS OBISPO, CA
TYPICAL WOOD DETAILS

DATE
11/20/2023
SHEET

S-403

N:\2000\2727-01-c1022-1403\2727-01-c1022-1403.dwg, PLAN 5 - 5403.dwg, Nov 20, 2023, 3:29pm, edpate



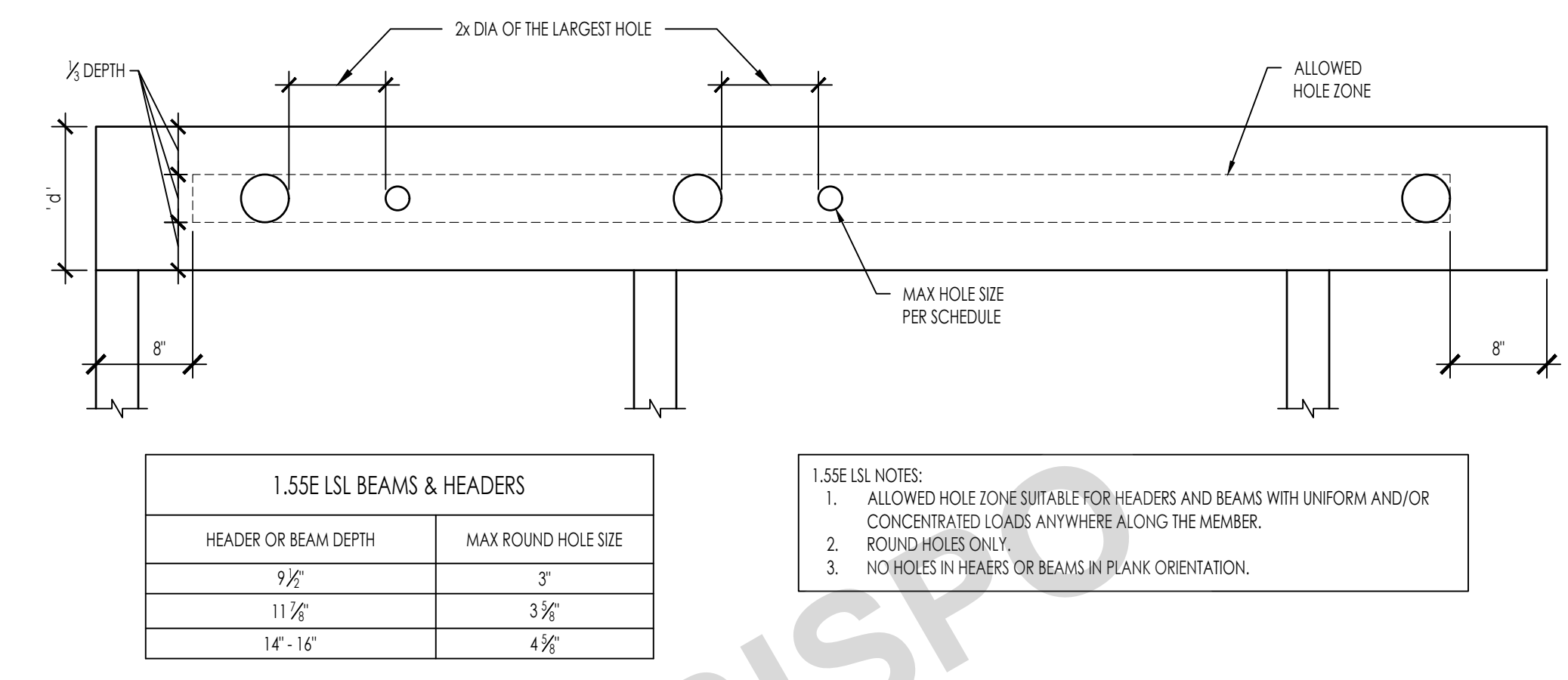
THESE PLANS ARE PROVIDED BY THE COUNTY OF SAN LUIS OBISPO AS PART OF THE PRE-APPROVED ADU PROGRAM AND ARE PUBLIC DOMAIN. THERE CANNOT BE A CHARGE TO PROVIDE THESE PLANS. NO ALTERATIONS TO THESE PLANS ARE ALLOWED. ALL ALTERATIONS MUST BE DONE UNDER A SEPARATE PERMIT ONCE THE BUILDING PERMIT FOR THE ADU HAS BEEN ISSUED AND FINAL INSPECTION COMPLETED. IF YOU DO NOT HAVE THE CONSTRUCTION KNOWLEDGE AND EXPERIENCE TO CONTRUCT THESE PLANS WITHOUT FURTHER DETAILS, IT IS RECOMMENDED YOU HIRE A CONTRACTOR TO DO THE CONSTRUCTION. THE CITY WILL NOT PROVIDE FURTHER INFORMATION OR DETAILS AND BUILDING INSPECTORS WILL NOT PROVIDE STEP BY STEP INSTRUCTIONS IN THE FIELD.

--	--	--	--

51

41

31



HEADER OR BEAM DEPTH	MAX ROUND HOLE SIZE
9 1/2"	3"
11 7/8"	3 3/8"
14'-16"	4 3/8"

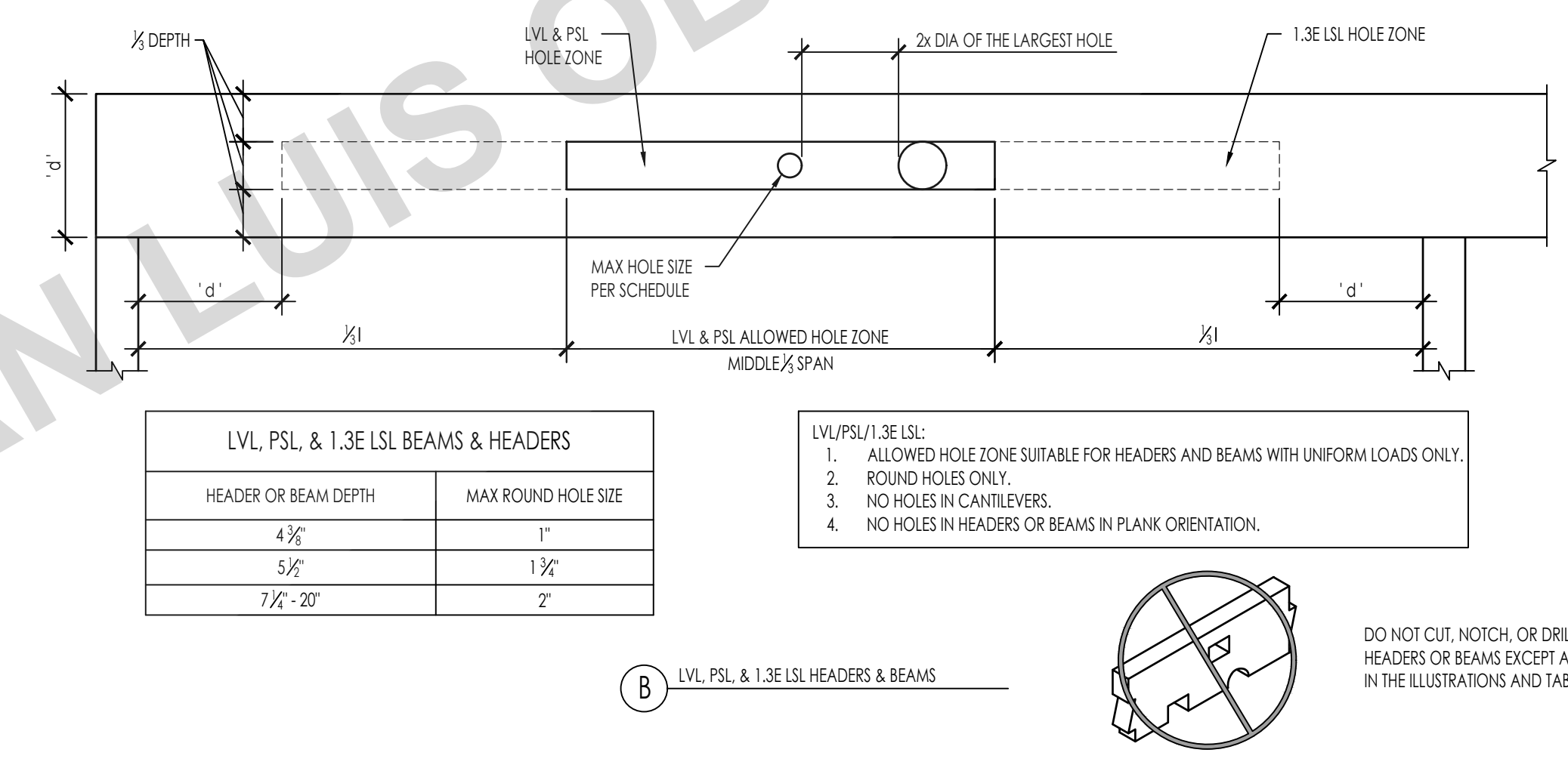
- 1.55E LSL NOTES:
- ALLOWED HOLE ZONE SUITABLE FOR HEADERS AND BEAMS WITH UNIFORM AND/OR CONCENTRATED LOADS ANYWHERE ALONG THE MEMBER.
 - ROUND HOLES ONLY.
 - NO HOLES IN HEADERS OR BEAMS IN PLANK ORIENTATION.

--	--	--	--

52

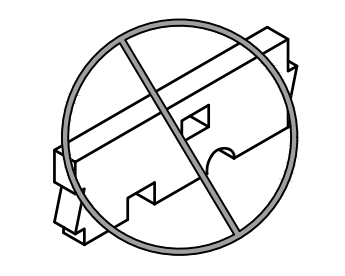
42

32



HEADER OR BEAM DEPTH	MAX ROUND HOLE SIZE
4 1/2"	1"
5 1/2"	1 3/4"
7 1/4' - 20'	2"

- LVL/PSL/1.3E LSL:
- ALLOWED HOLE ZONE SUITABLE FOR HEADERS AND BEAMS WITH UNIFORM LOADS ONLY.
 - ROUND HOLES ONLY.
 - NO HOLES IN CANTILEVERS.
 - NO HOLES IN HEADERS OR BEAMS IN PLANK ORIENTATION.



--	--	--	--

53

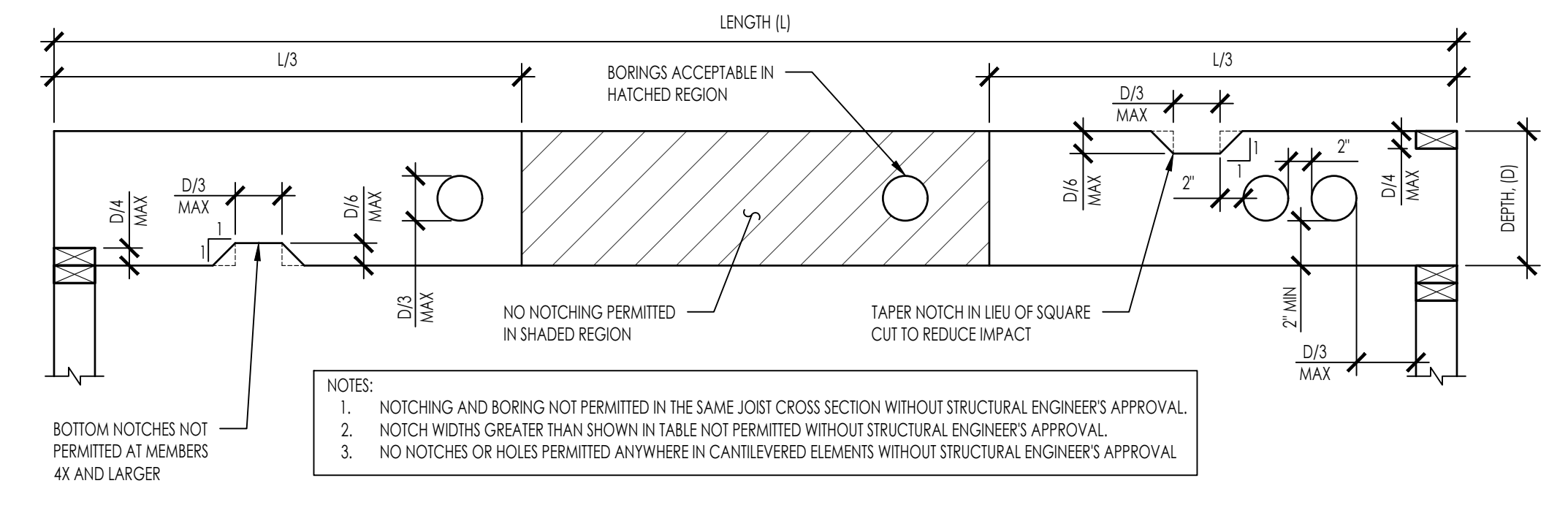
43

33

ALLOWABLE HOLES THRU ENGINEERED LUMBER HEADERS & BEAMS

2021-01-C102-1404

NTS 12



JOIST SIZE	MAX HOLE	MAX NOTCH DEPTH	MAX END NOTCH	MAX NOTCH LENGTH
2x4	NONE	NONE	NONE	NONE
2x6	1 1/2"	1/2"	1 3/8"	1 1/2"
2x8	2 3/8"	1 1/2"	1 3/8"	2 3/8"
2x10	3"	1 1/2"	2 3/8"	3"
2x12	3 3/4"	1 1/2"	2 3/8"	3 3/4"

--	--	--	--

54

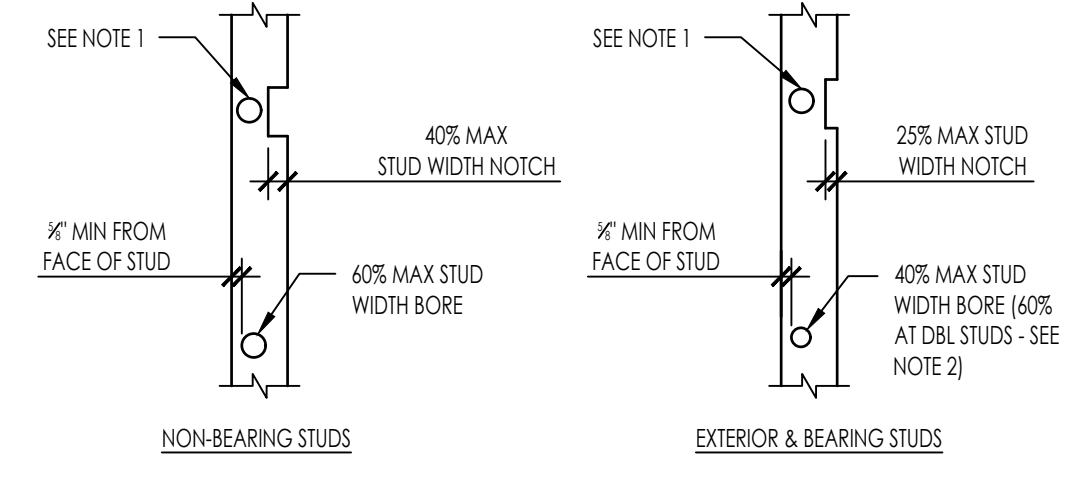
44

34

SAWN LUMBER AND RAFTER JOIST NOTCHING AND BORING LIMITATIONS

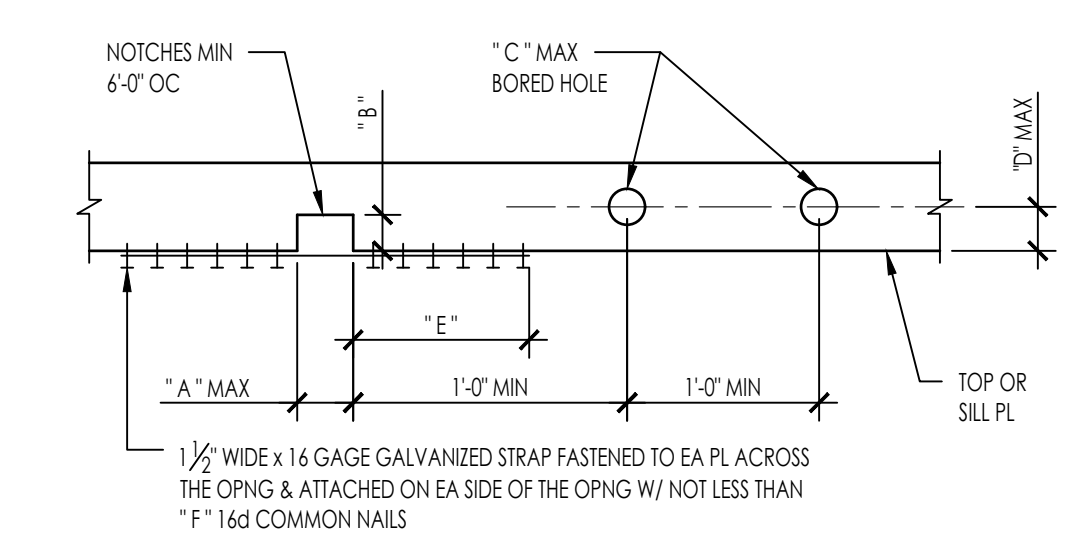
2021-01-C102-1404

NTS 13



STUD SIZE (IN)	APPLICATION	MAX HOLE DIAMETER (IN)	MAX NOTCH DEPTH (IN)
2x4	NON-BEARING	2 3/8"	1 3/8"
	EXTERIOR/BEARING	1 3/8"	1/2"
2x6	NON-BEARING	3 1/4"	2 3/8"
	EXTERIOR/BEARING	2 3/8"	1 3/8"

- NOTES:
- NOTCHING AND BORING NOT PERMITTED IN THE SAME STUD SECTION.
 - NO MORE THAN 2 SUCCESSIVE DBL. STUDS ARE PERMITTED TO HAVE 60% MAX BORED HOLES.



TOP PL OR SILL PL	A	B	C	D	E	F
2x4	3/8"	1/2"	1/2"	1/2"	3/4"	6
2x6	1/2"	3/4"	3/4"	3/4"	1"	9
2x8	3/8"	3"	3/4"	3/4"	1 1/4"	12

N:\2000\2727-01-c102-1404-county\ad\Structural\ConDoc\Sheet\2727-01-C102-1404.dwg, P:\AN 5 - 5404, Nov 20, 2023, 3:29pm, adpax

COUNTY OF SAN LUIS OBISPO
ACCESSORY DWELLING UNIT

SAN LUIS OBISPO, CA

TYPICAL WOOD DETAILS

DATE
11/20/2023

SHEET

S-404



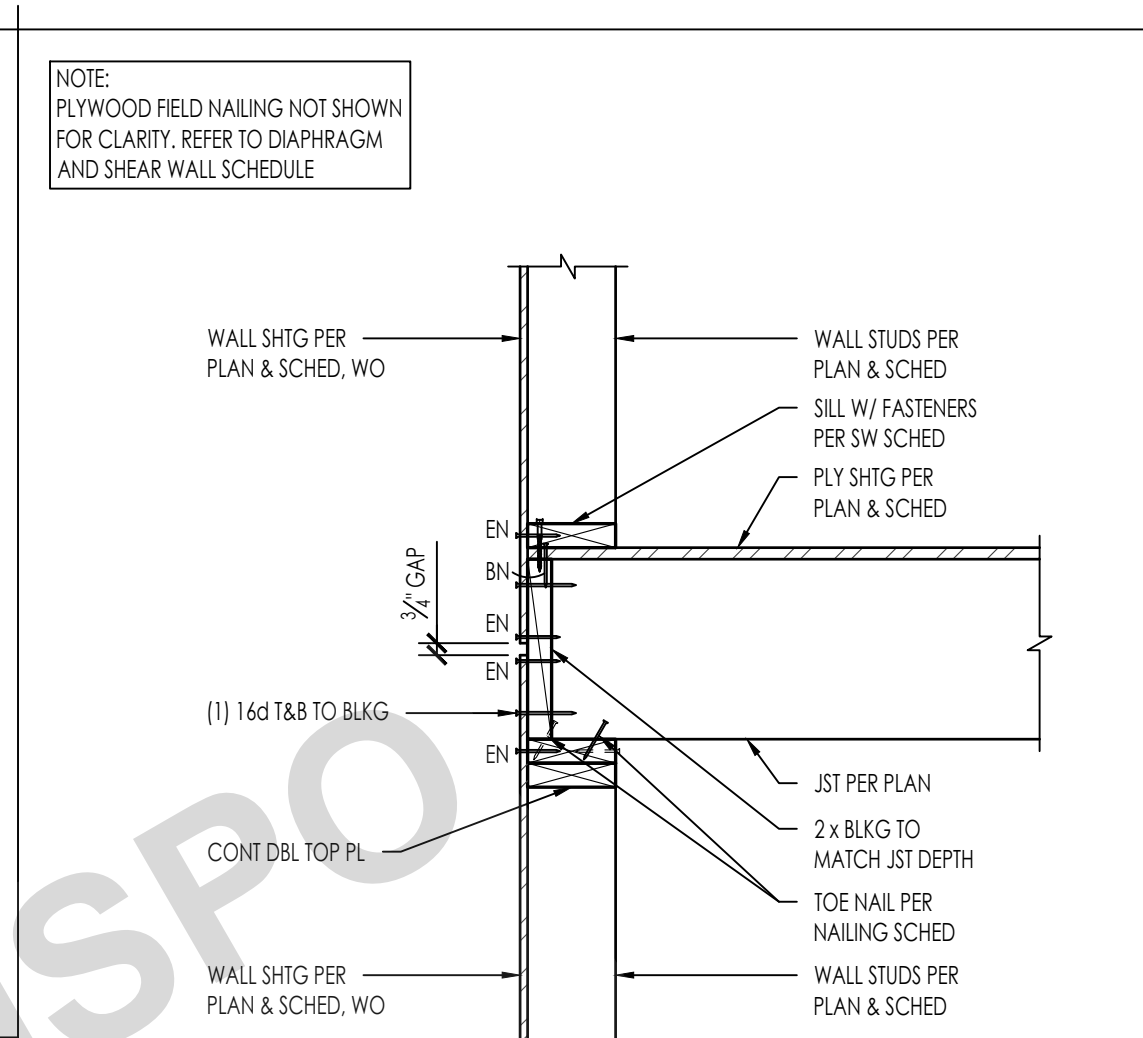
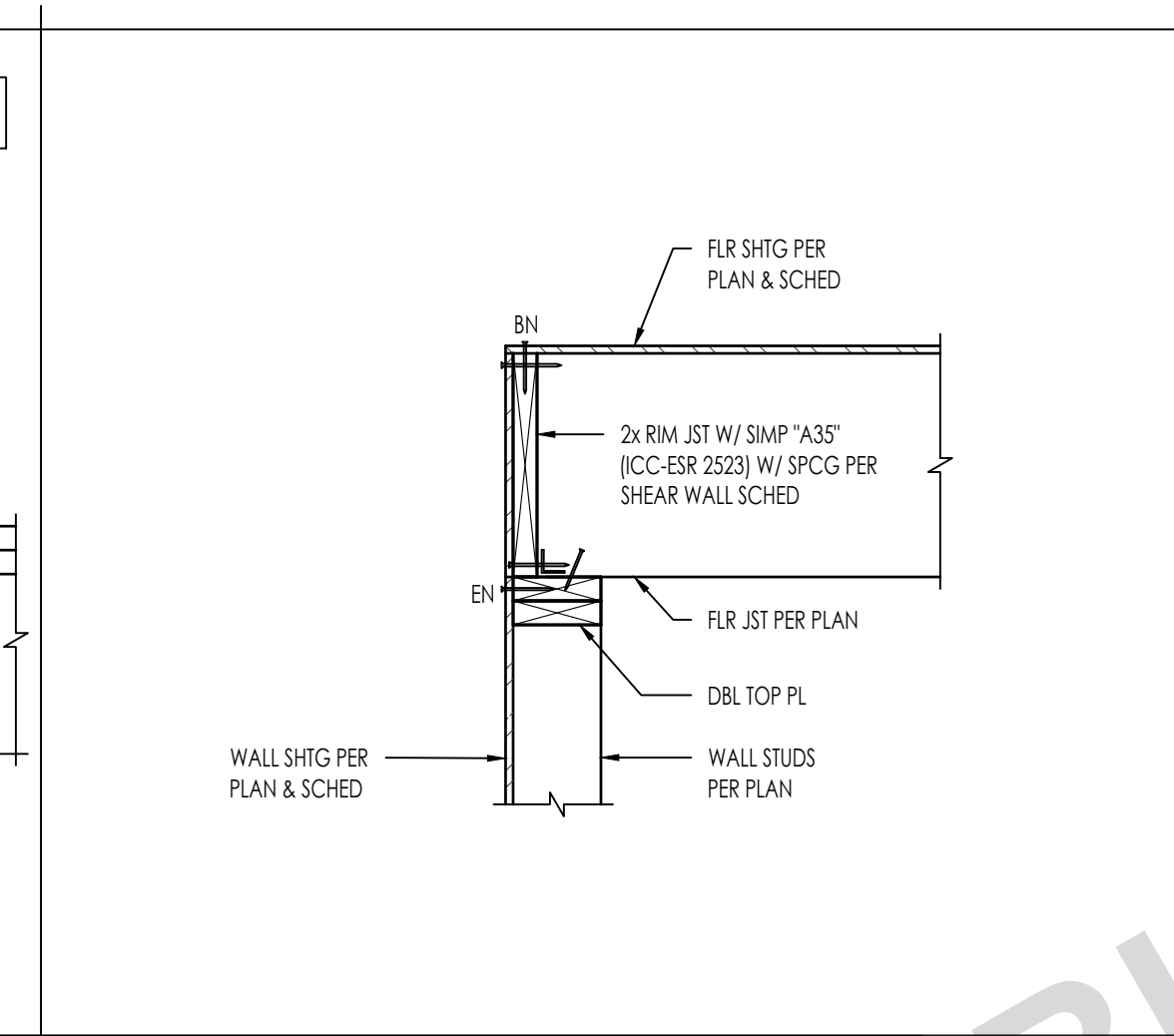
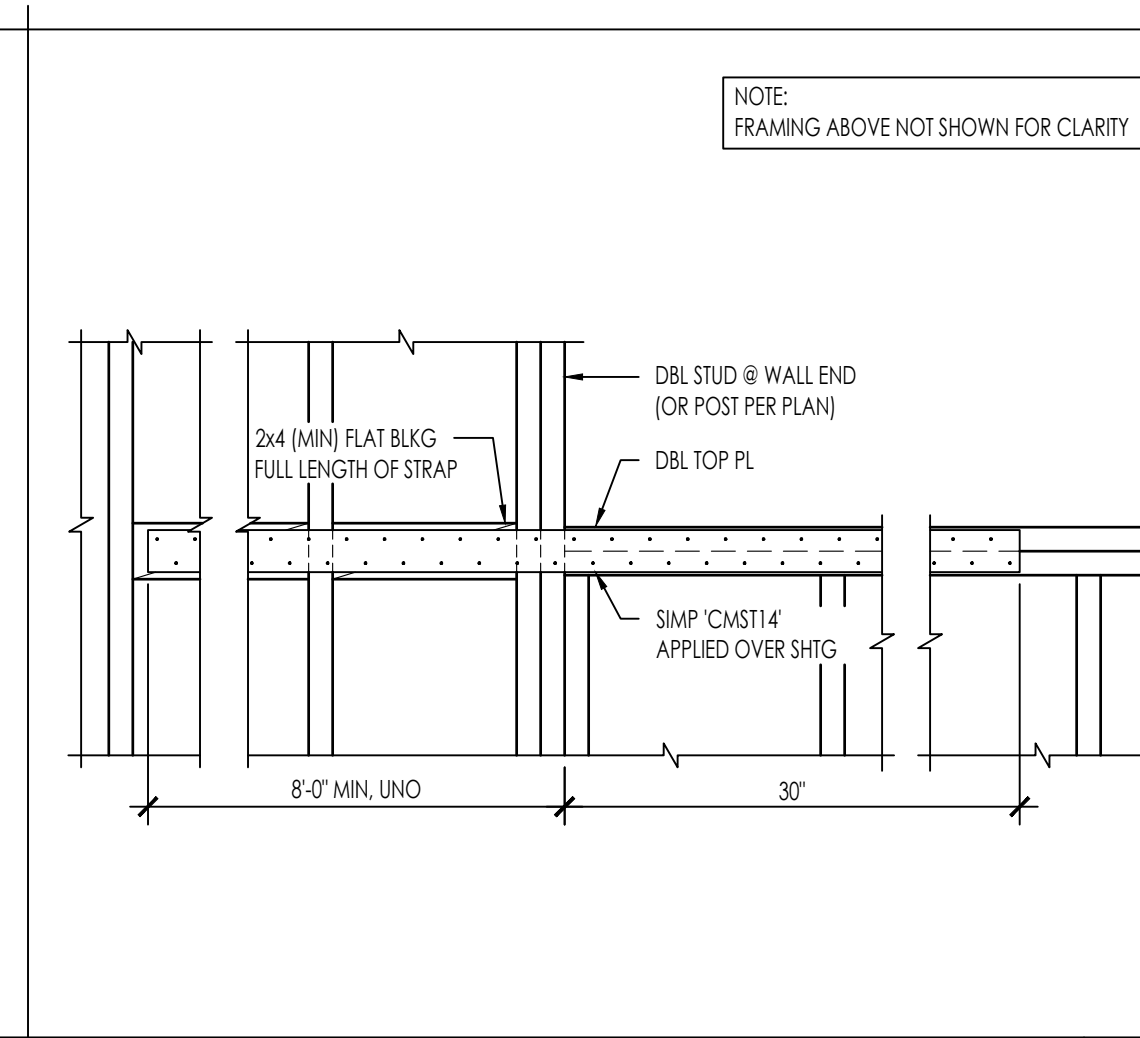
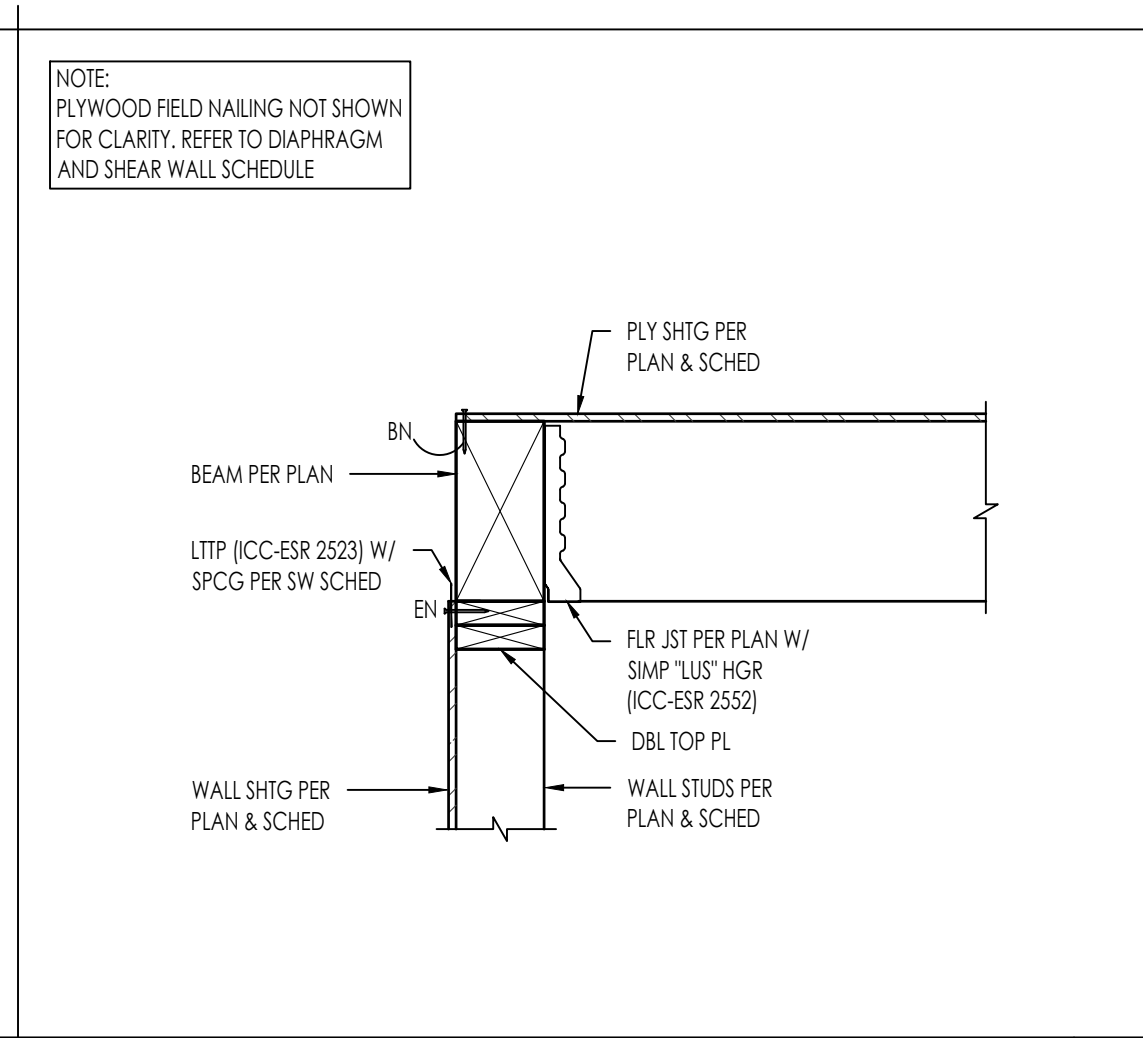
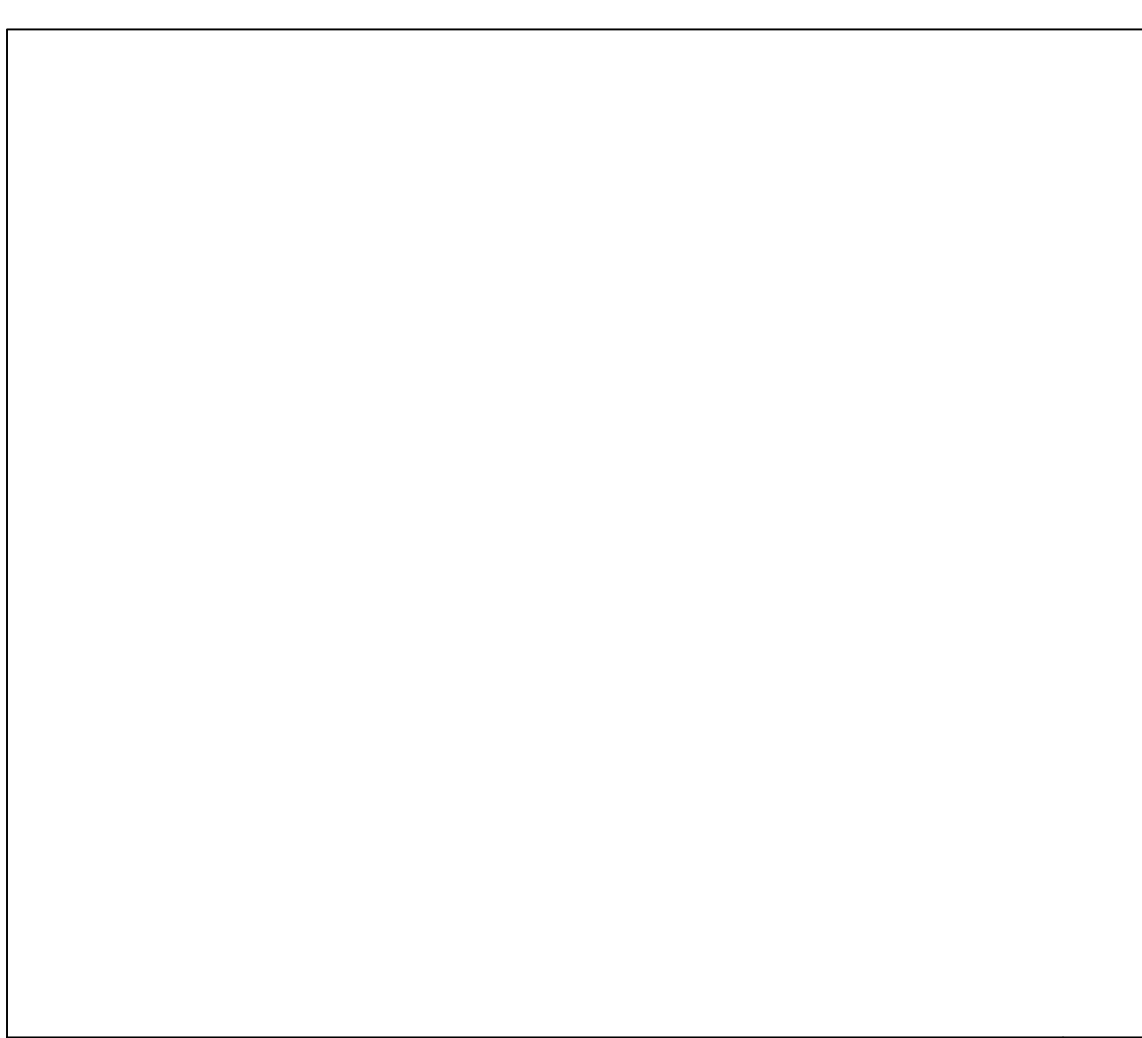
THESE PLANS ARE PROVIDED BY THE COUNTY OF SAN LUIS OBISPO AS PART OF THE PRE-APPROVED ADU PROGRAM AND ARE PUBLIC DOMAIN. THERE CANNOT BE A CHARGE TO PROVIDE THESE PLANS. NO ALTERATIONS TO THESE PLANS ARE ALLOWED. ALL ALTERATIONS MUST BE DONE UNDER A SEPARATE PERMIT ONCE THE BUILDING PERMIT FOR THE ADU HAS BEEN ISSUED AND FINAL INSPECTION COMPLETED. IF YOU DO NOT HAVE THE CONSTRUCTION KNOWLEDGE AND EXPERIENCE TO CONTRUCT THESE PLANS WITHOUT FURTHER DETAILS, IT IS RECOMMENDED YOU HIRE A CONTRACTOR TO DO THE CONSTRUCTION. THE CITY WILL NOT PROVIDE FURTHER INFORMATION OR DETAILS AND BUILDING INSPECTORS WILL NOT PROVIDE STEP BY STEP INSTRUCTIONS IN THE FIELD.

COUNTY OF SAN LUIS OBISPO
ACCESSORY DWELLING UNIT
SAN LUIS OBISPO, CA

FLOOR FRAMING DETAILS

DATE
11/20/2023
SHEET

S-411

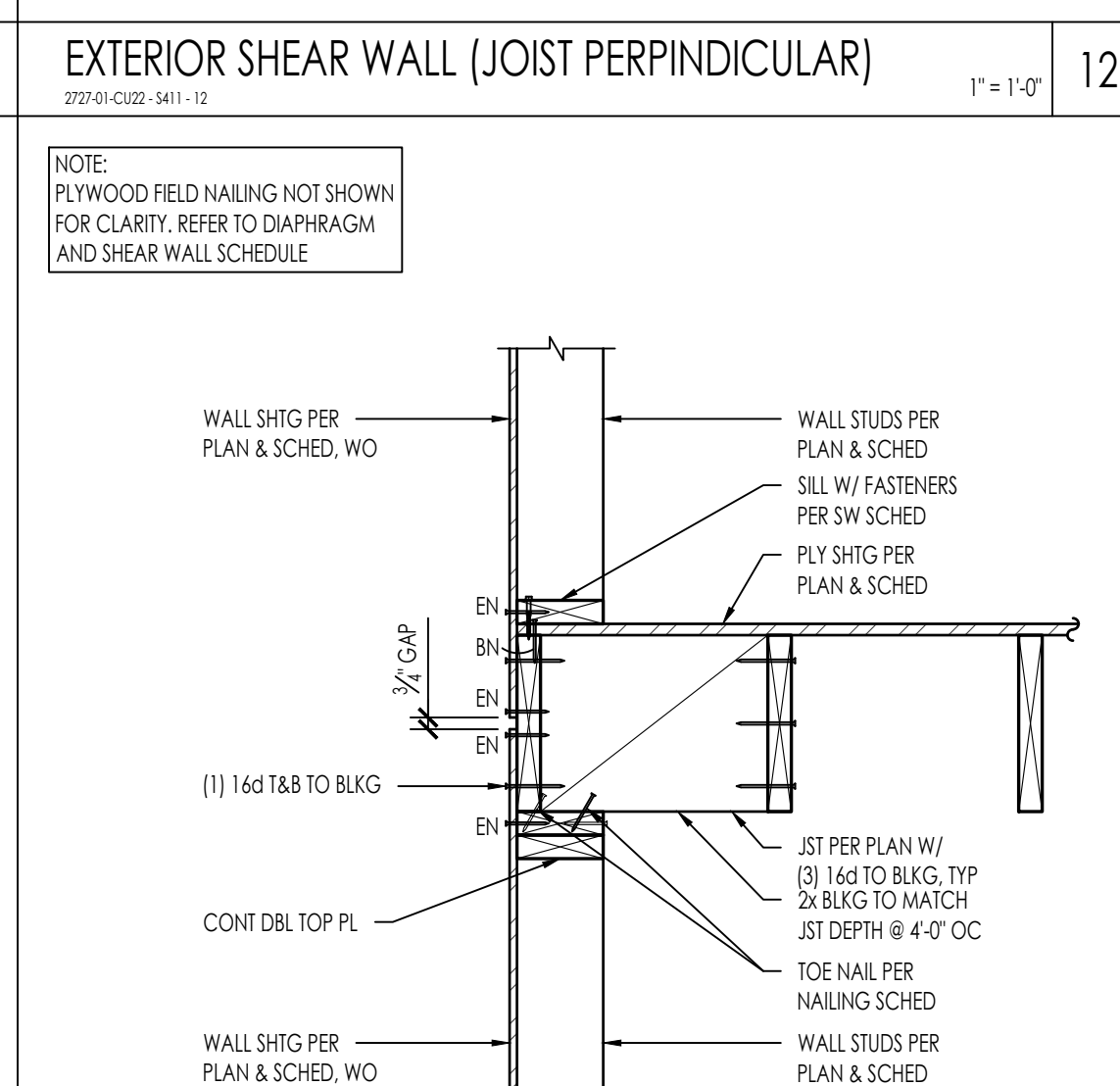
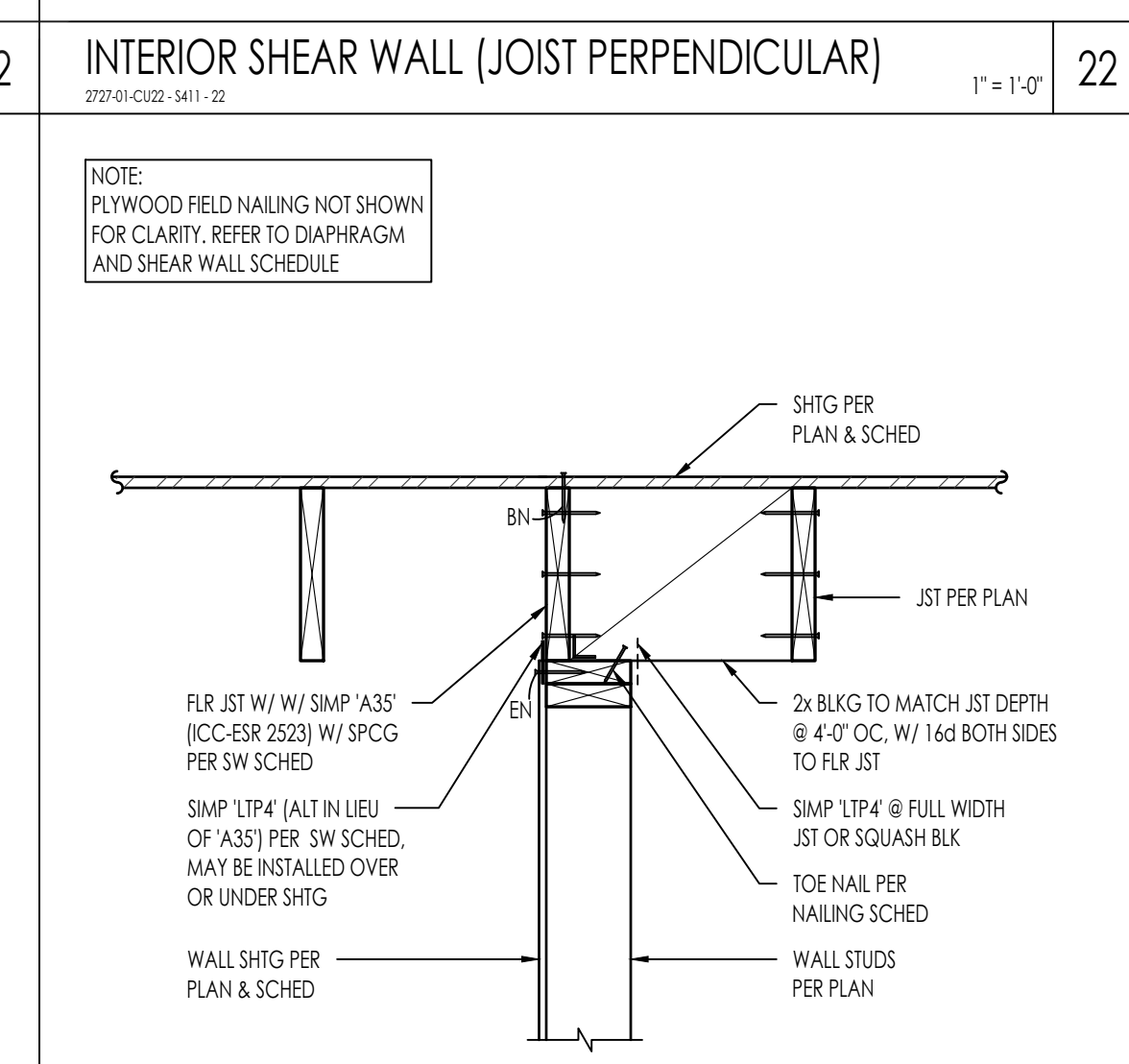
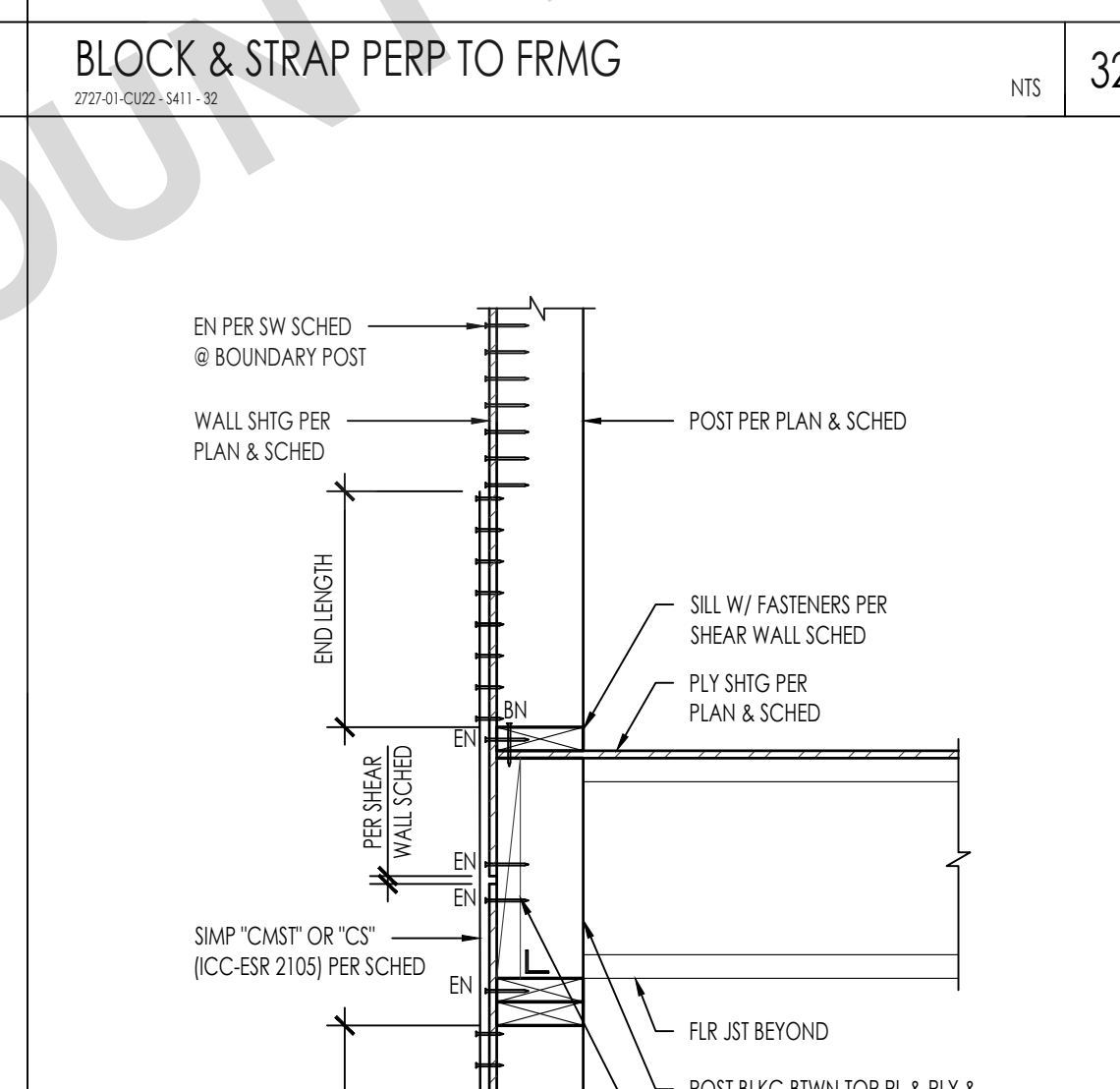
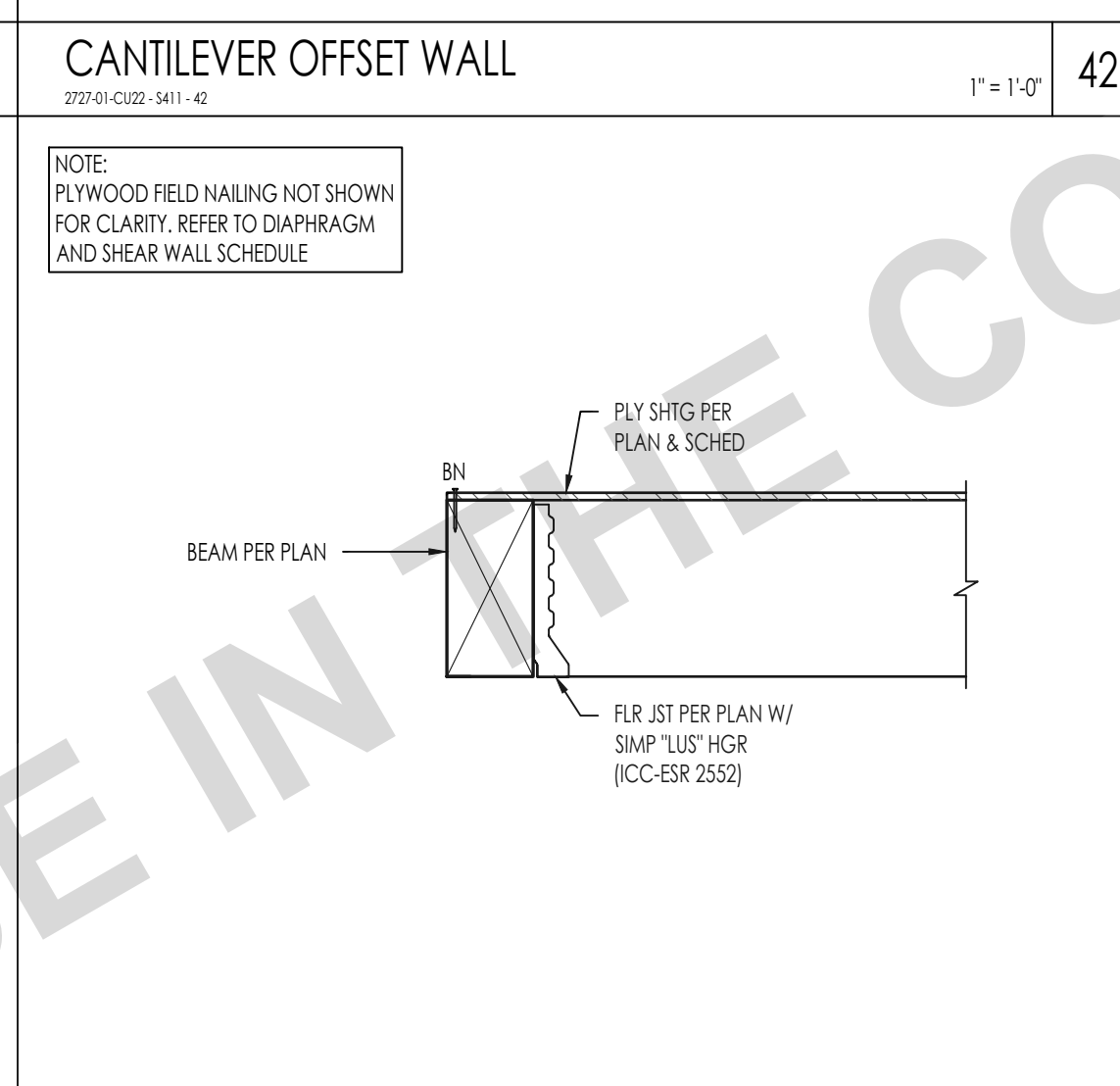
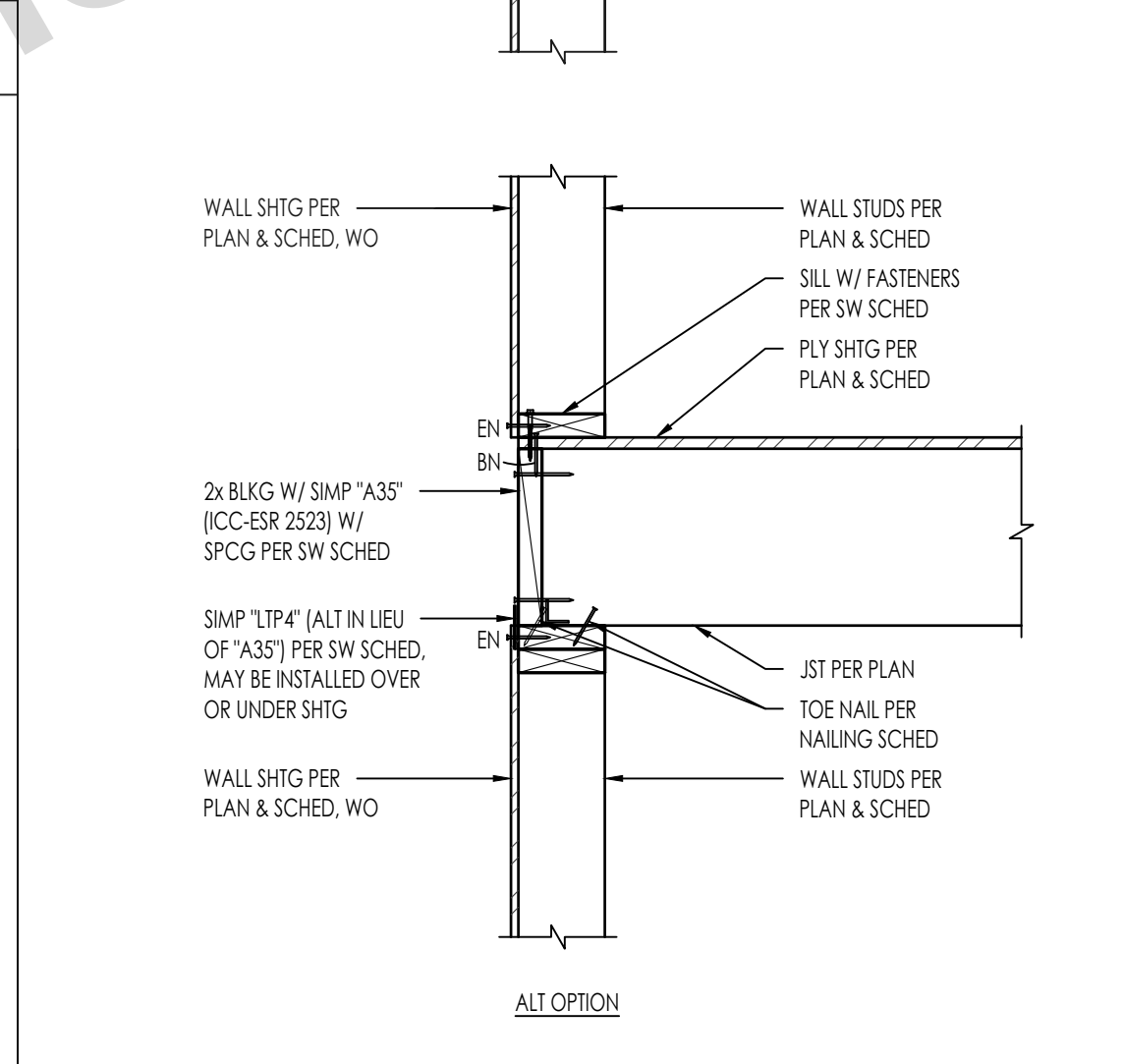
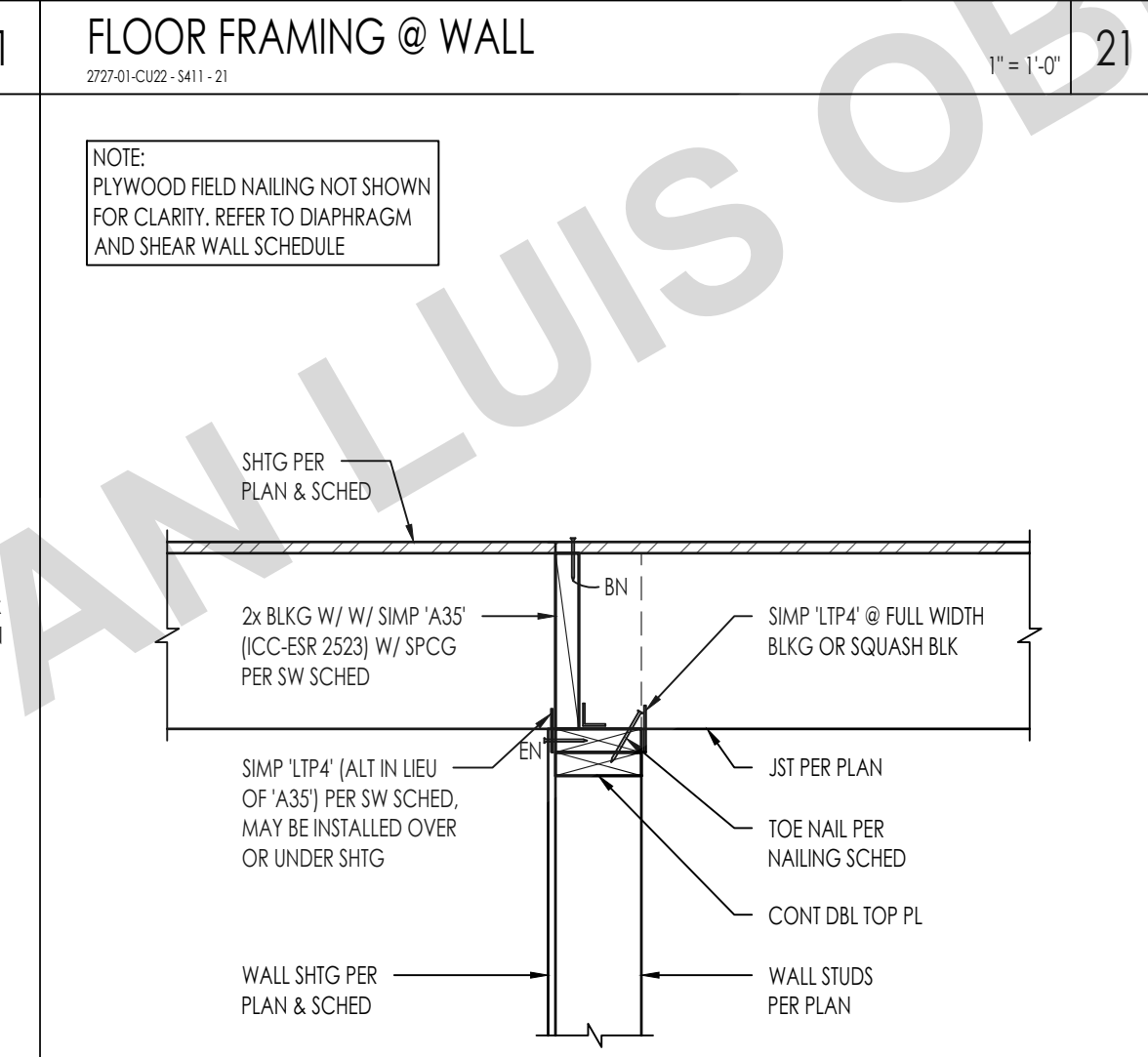


NOTE: PLYWOOD FIELD NAILING NOT SHOWN FOR CLARITY. REFER TO DIAPHRAGM AND SHEAR WALL SCHEDULE

NOTE: PLYWOOD FIELD NAILING NOT SHOWN FOR CLARITY. REFER TO DIAPHRAGM AND SHEAR WALL SCHEDULE

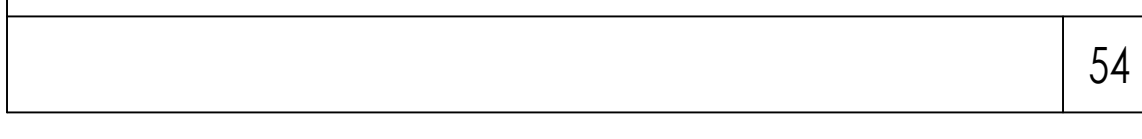
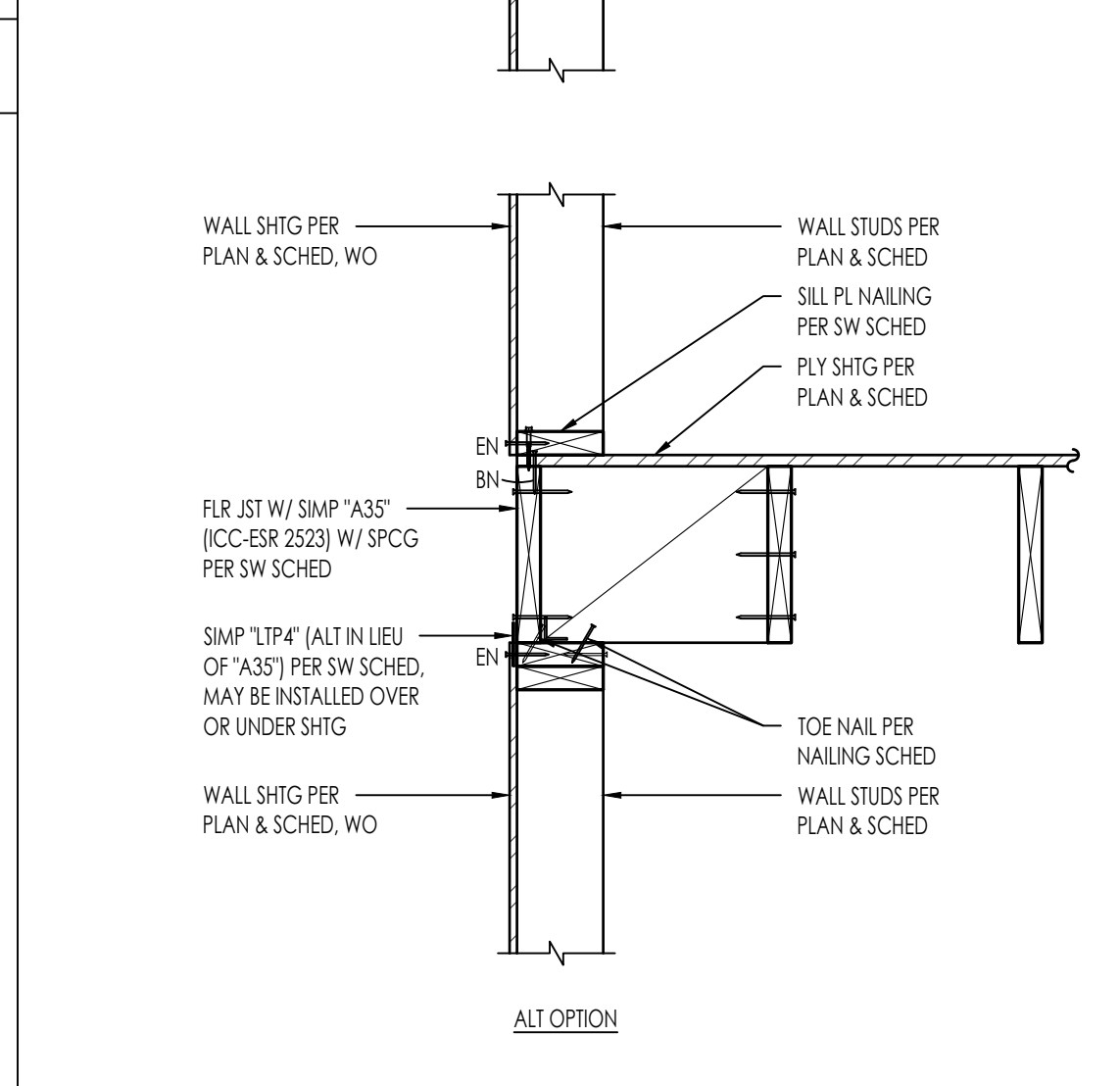
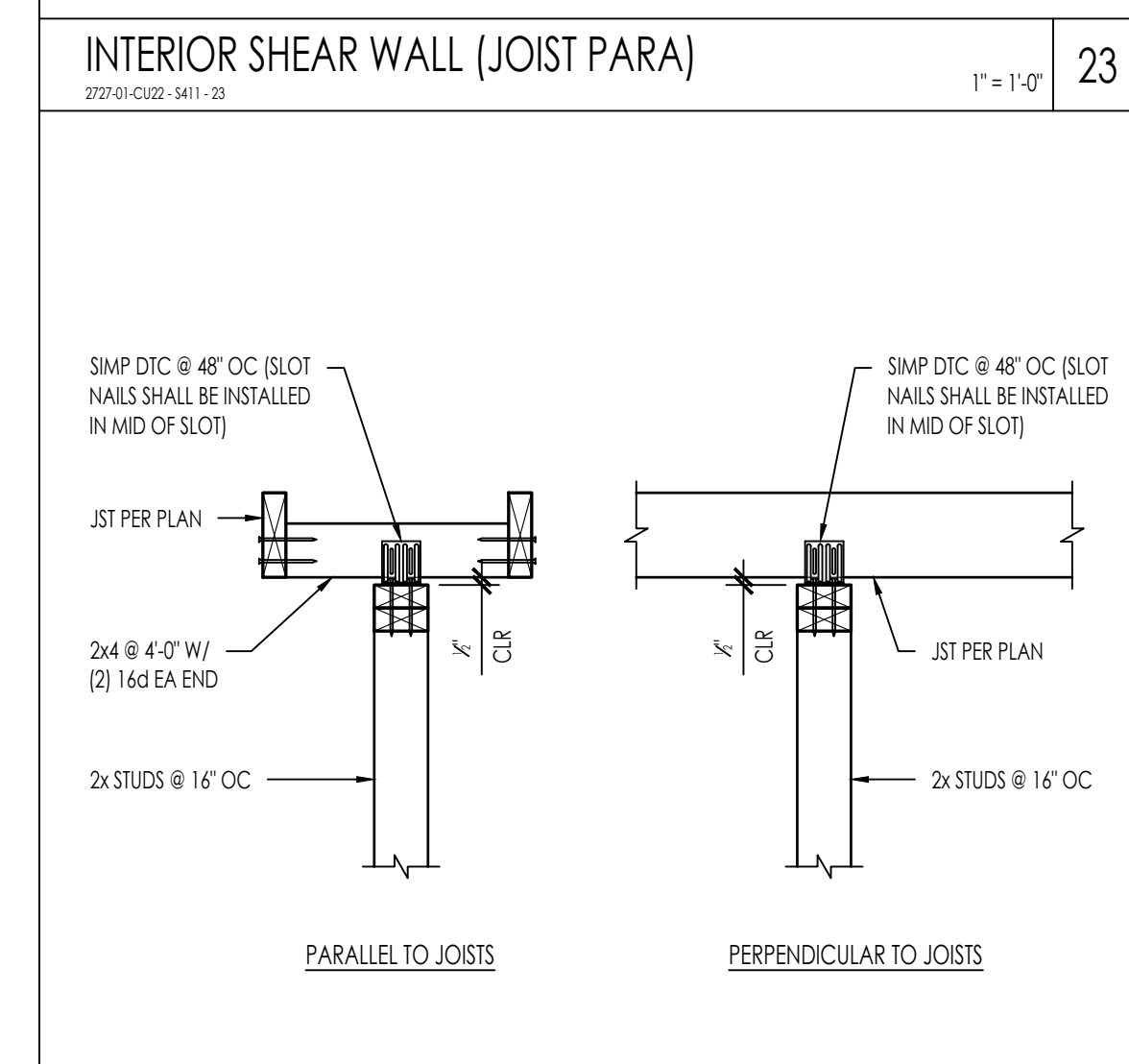
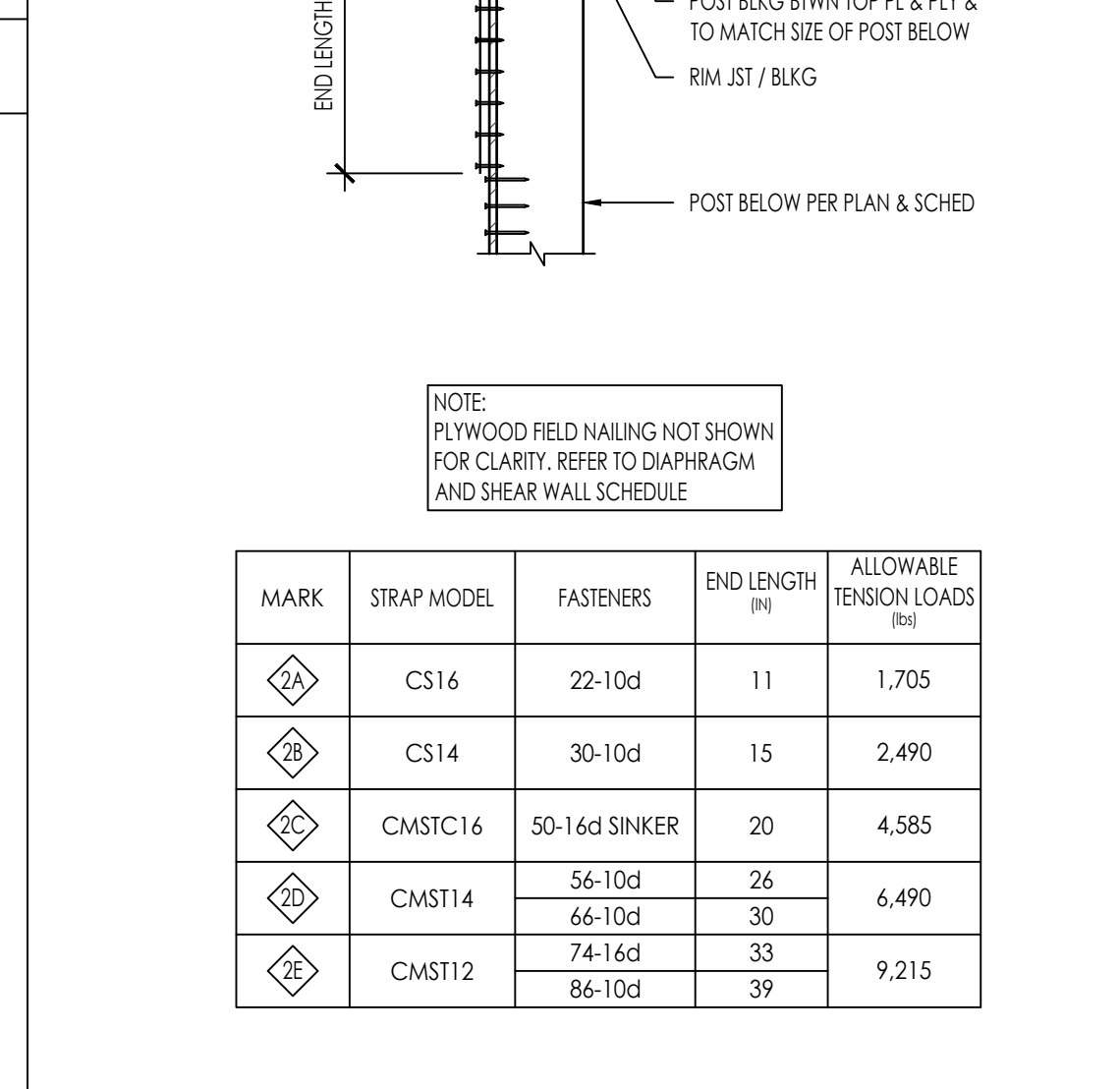
NOTE: PLYWOOD FIELD NAILING NOT SHOWN FOR CLARITY. REFER TO DIAPHRAGM AND SHEAR WALL SCHEDULE

STRAP MODEL	FASTENERS PER SPLICE	SPLICE LENGTH (IN)	MIN BLKG WIDTH	ALLOWABLE TENSION LOADS (LB)
CS14	(6) 10d (7) 8d	9 10	1 1/2"	2,490



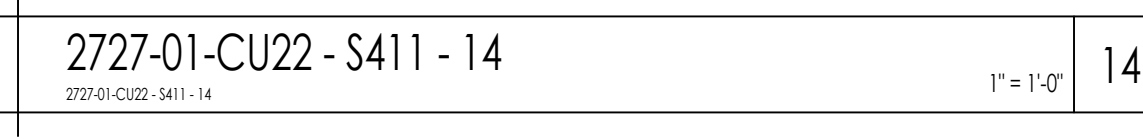
NOTE: PLYWOOD FIELD NAILING NOT SHOWN FOR CLARITY. REFER TO DIAPHRAGM AND SHEAR WALL SCHEDULE

MARK	STRAP MODEL	FASTENERS	END LENGTH (IN)	ALLOWABLE TENSION LOADS (LB)
2A	CS16	22-10d	11	1,705
2B	CS14	30-10d	15	2,490
2C	CMSTC16	50-16d SINKER	20	4,585
2D	CMST14	56-10d 66-10d	26 30	6,490
2E	CMST12	74-16d 86-10d	33 39	9,215



NOTE: PLYWOOD FIELD NAILING NOT SHOWN FOR CLARITY. REFER TO DIAPHRAGM AND SHEAR WALL SCHEDULE

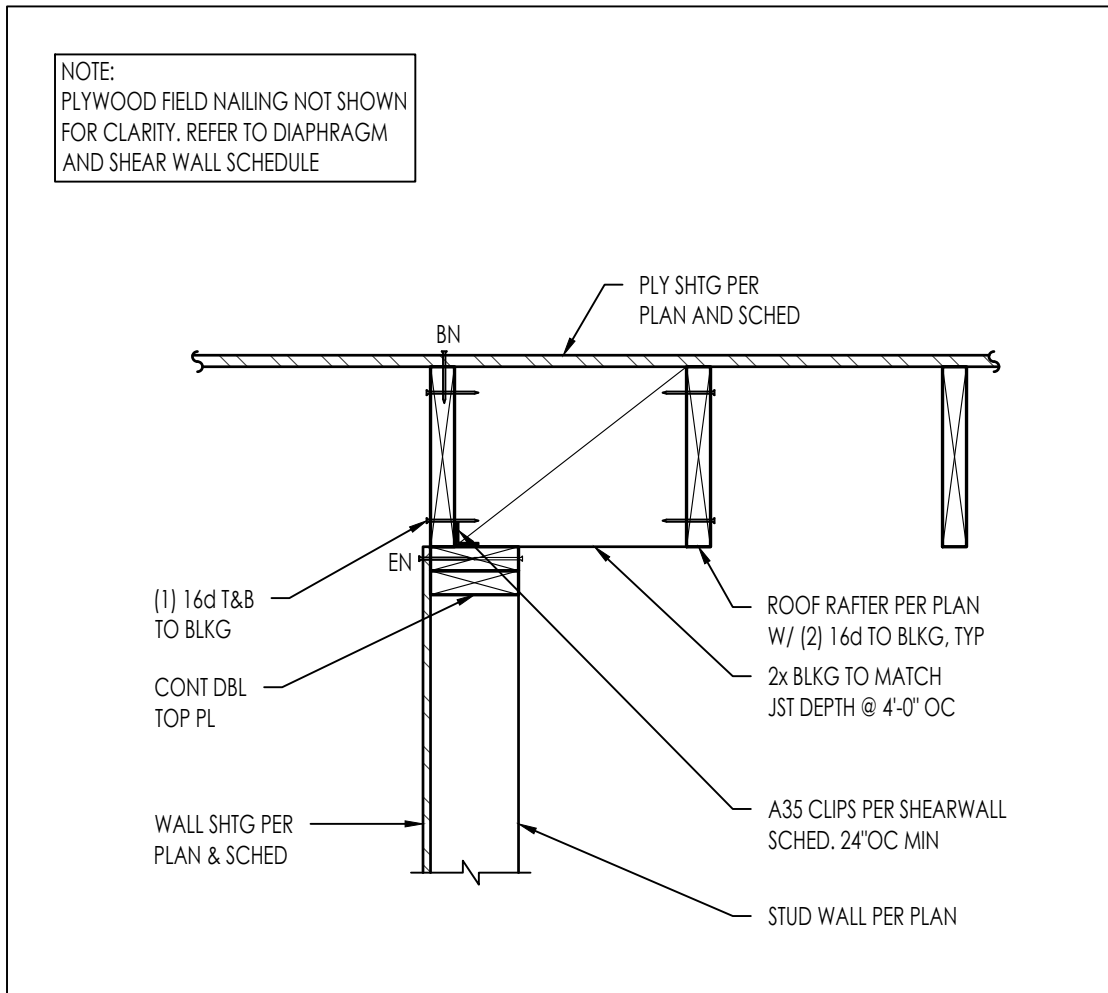
MARK	STRAP MODEL	FASTENERS	END LENGTH (IN)	ALLOWABLE TENSION LOADS (LB)
2A	CS16	22-10d	11	1,705
2B	CS14	30-10d	15	2,490
2C	CMSTC16	50-16d SINKER	20	4,585
2D	CMST14	56-10d 66-10d	26 30	6,490
2E	CMST12	74-16d 86-10d	33 39	9,215



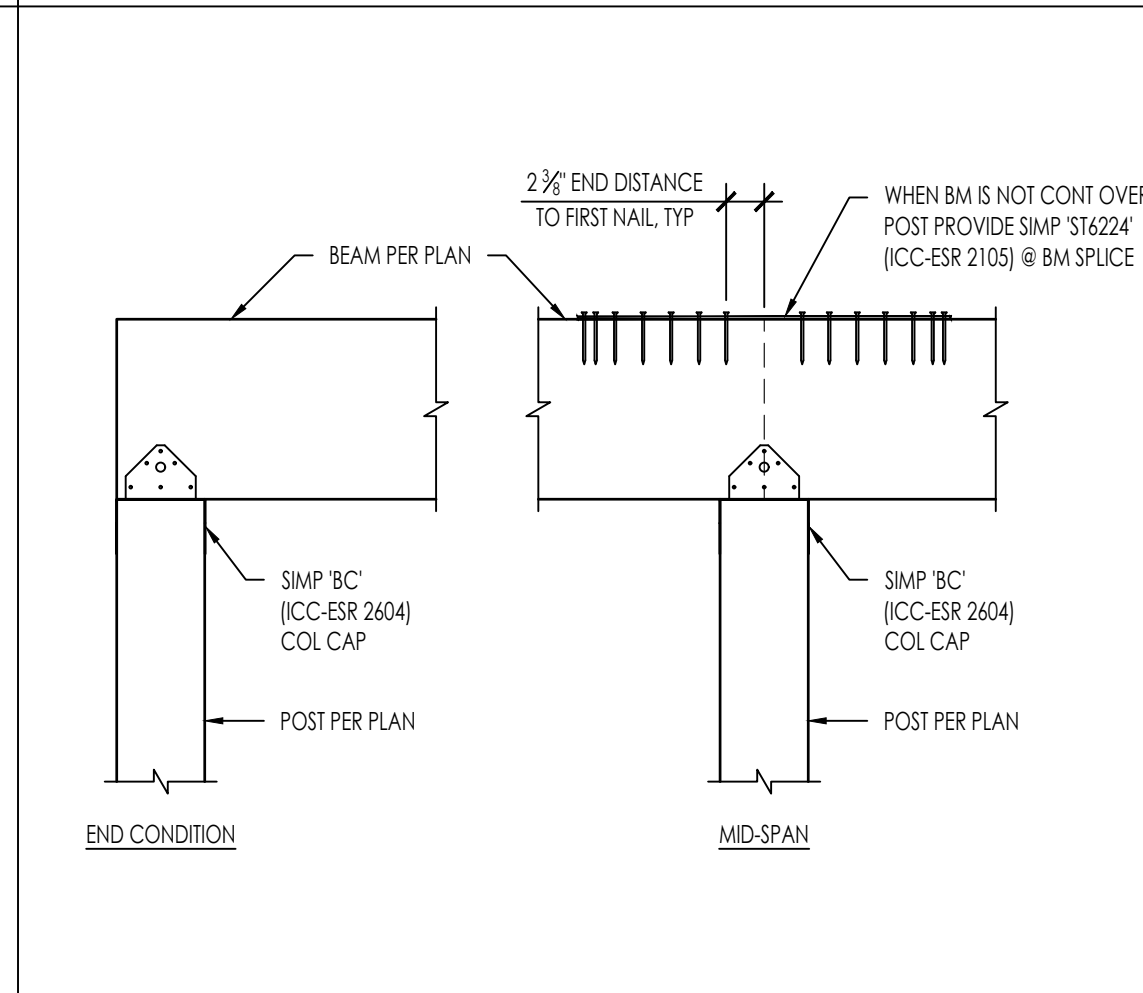
N:\2000\2727\01_cuz02-loc-county\add\structural\ConDoc\2727-01-CU02-5411.dwg, PLAN 5 - 5411, Nov 20, 2023, 3:30pm, dcpete



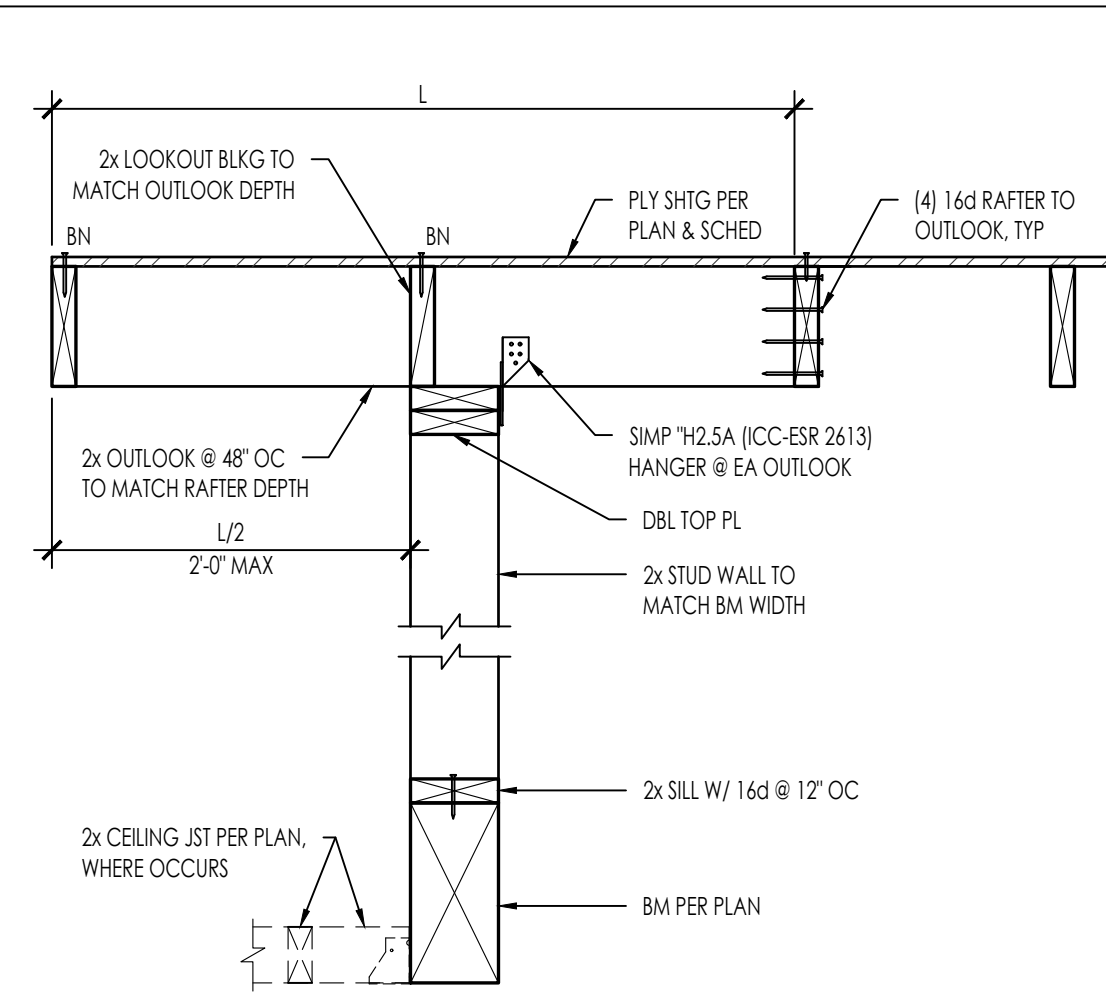
THESE PLANS ARE PROVIDED BY THE COUNTY OF SAN LUIS OBISPO AS PART OF THE PRE-APPROVED ADU PROGRAM AND ARE PUBLIC DOMAIN. THERE CANNOT BE A CHARGE TO PROVIDE THESE PLANS. NO ALTERATIONS TO THESE PLANS ARE ALLOWED. ALL ALTERATIONS MUST BE DONE UNDER A SEPARATE PERMIT ONCE THE BUILDING PERMIT FOR THE ADU HAS BEEN ISSUED AND FINAL INSPECTION COMPLETED. IF YOU DO NOT HAVE THE CONSTRUCTION KNOWLEDGE AND EXPERIENCE TO CONTRIBUTE THESE PLANS WITHOUT FURTHER DETAILS, IT IS RECOMMENDED YOU HIRE A CONTRACTOR TO DO THE CONSTRUCTION. THE CITY WILL NOT PROVIDE FURTHER INFORMATION OR DETAILS AND BUILDING INSPECTORS WILL NOT PROVIDE STEP BY STEP INSTRUCTIONS IN THE FIELD.



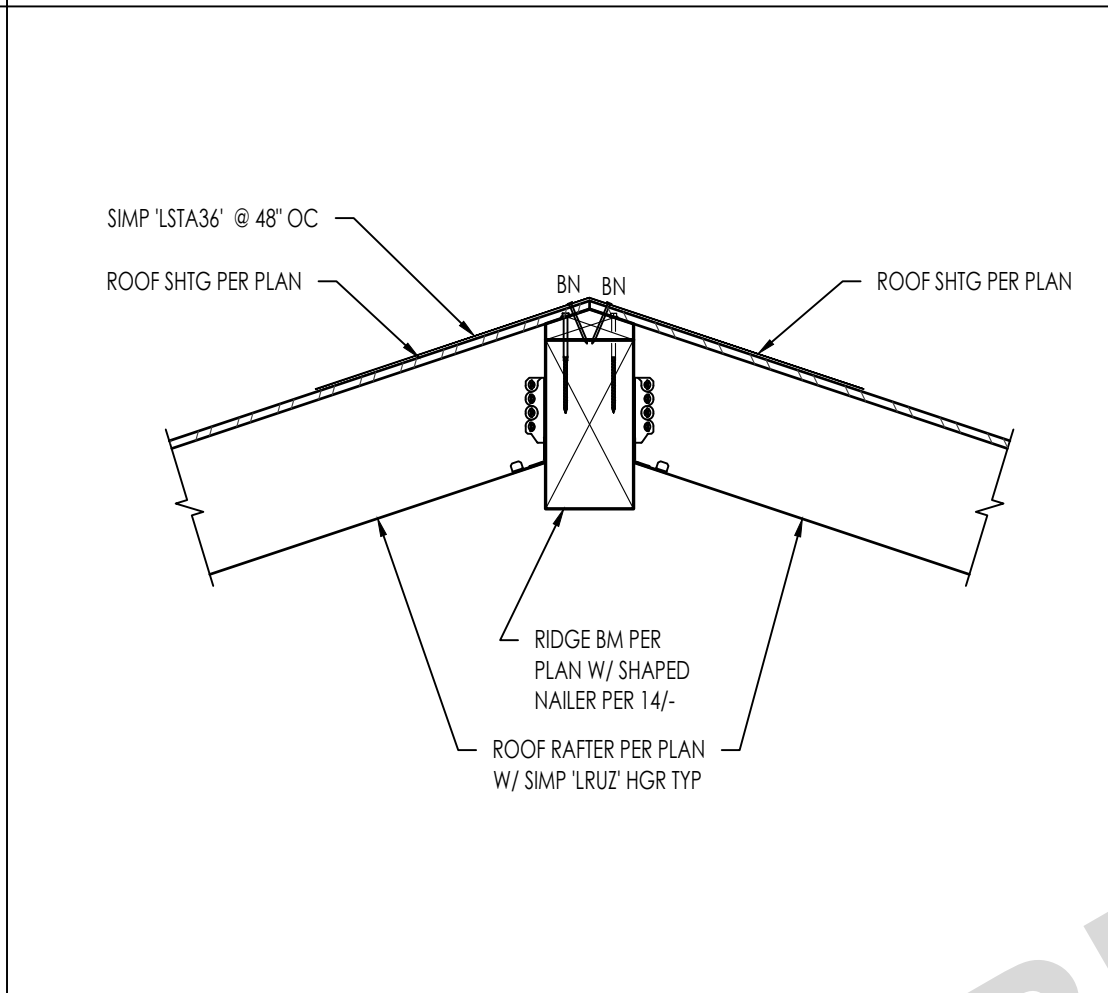
INTERIOR SHEAR WALL (JOIST PARALLEL) 1" = 1'-0" 51



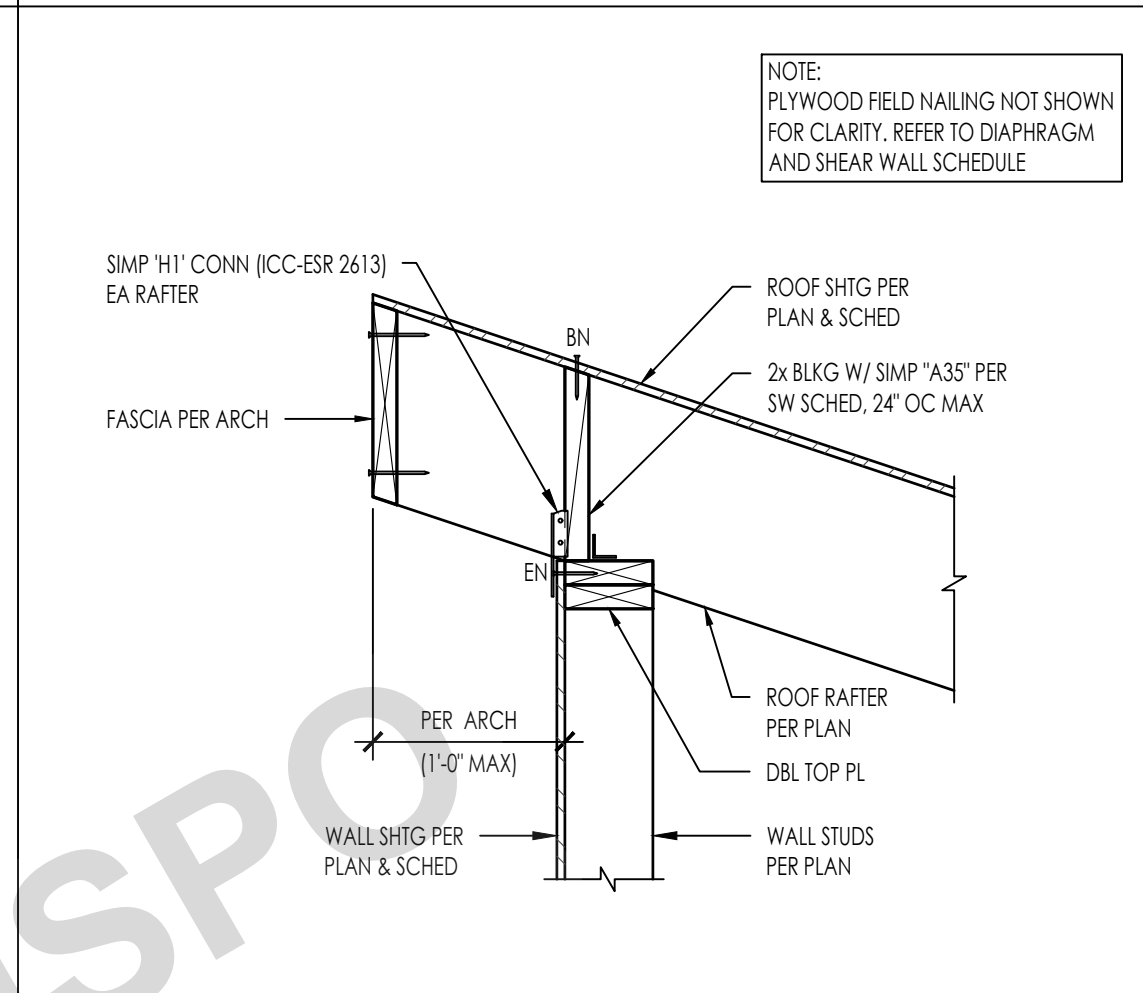
BEAM TO POST CONNECTION 1" = 1'-0" 41



OUTLOOK AT PORCH ROOF NTS or 1" = 1'-0" 31



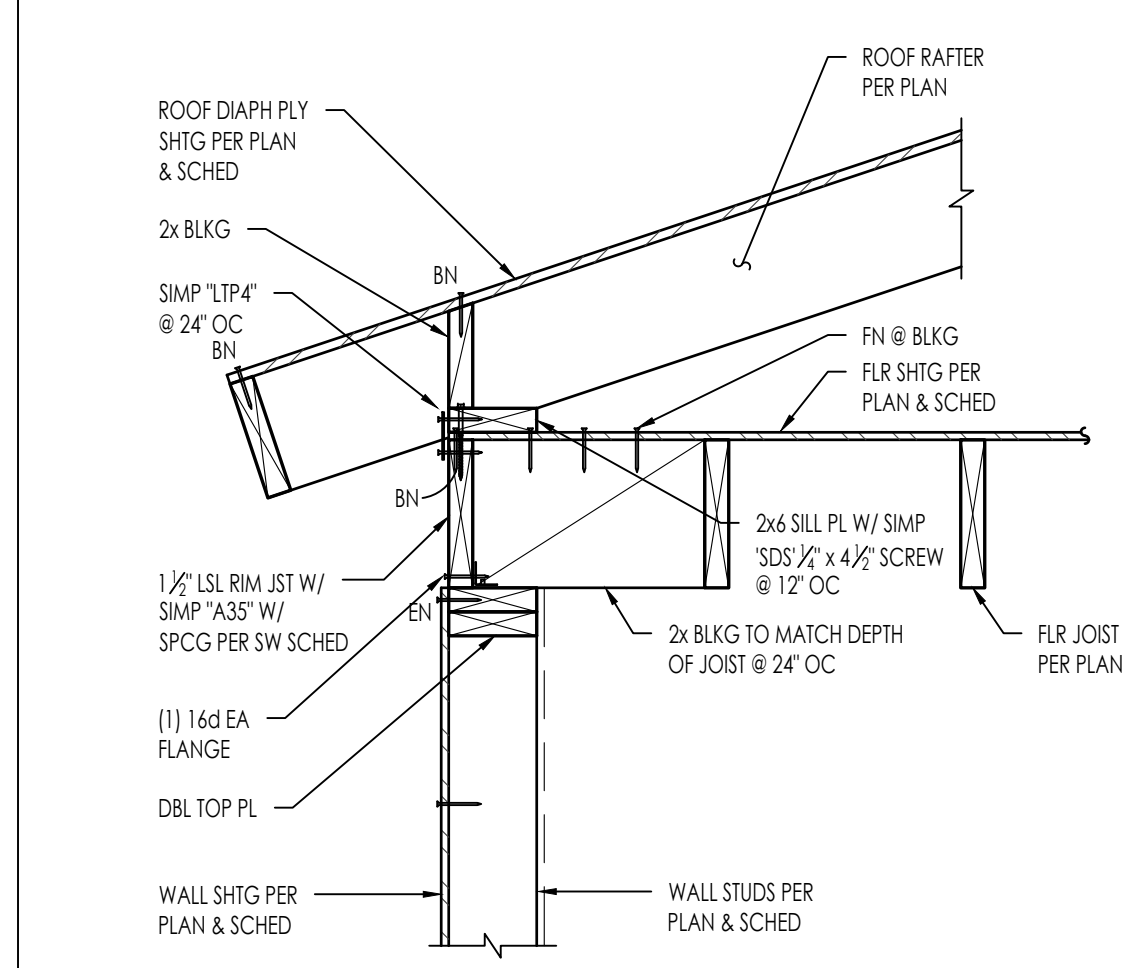
ROOF RIDGE 1" = 1'-0" 21



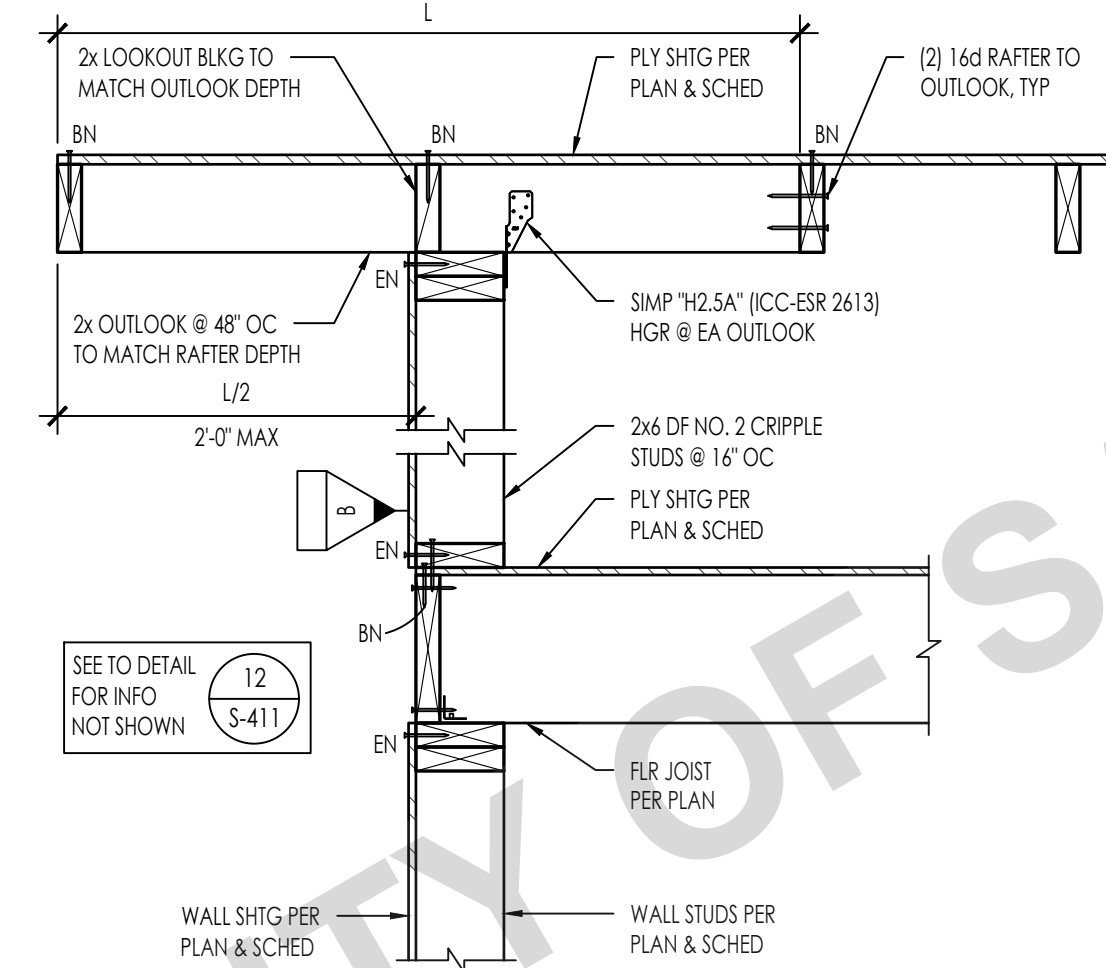
RAFTER @ EXTERIOR SHEAR WALL 1" = 1'-0" 11



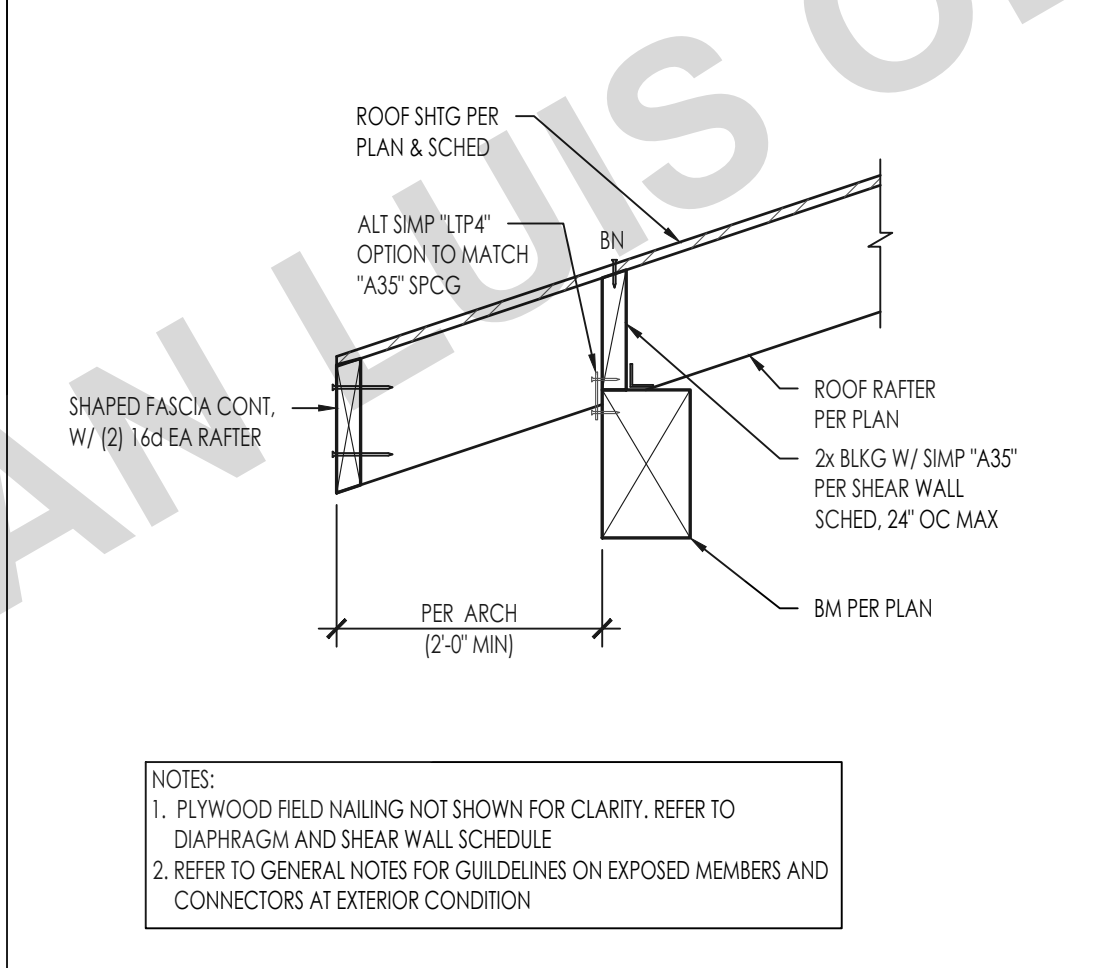
ROOF RAFTER ABOVE FLOOR (PARALLEL JOIST) 1" = 1'-0" 52



LOW ROOF @ FLOOR FRAMING 1" = 1'-0" 32



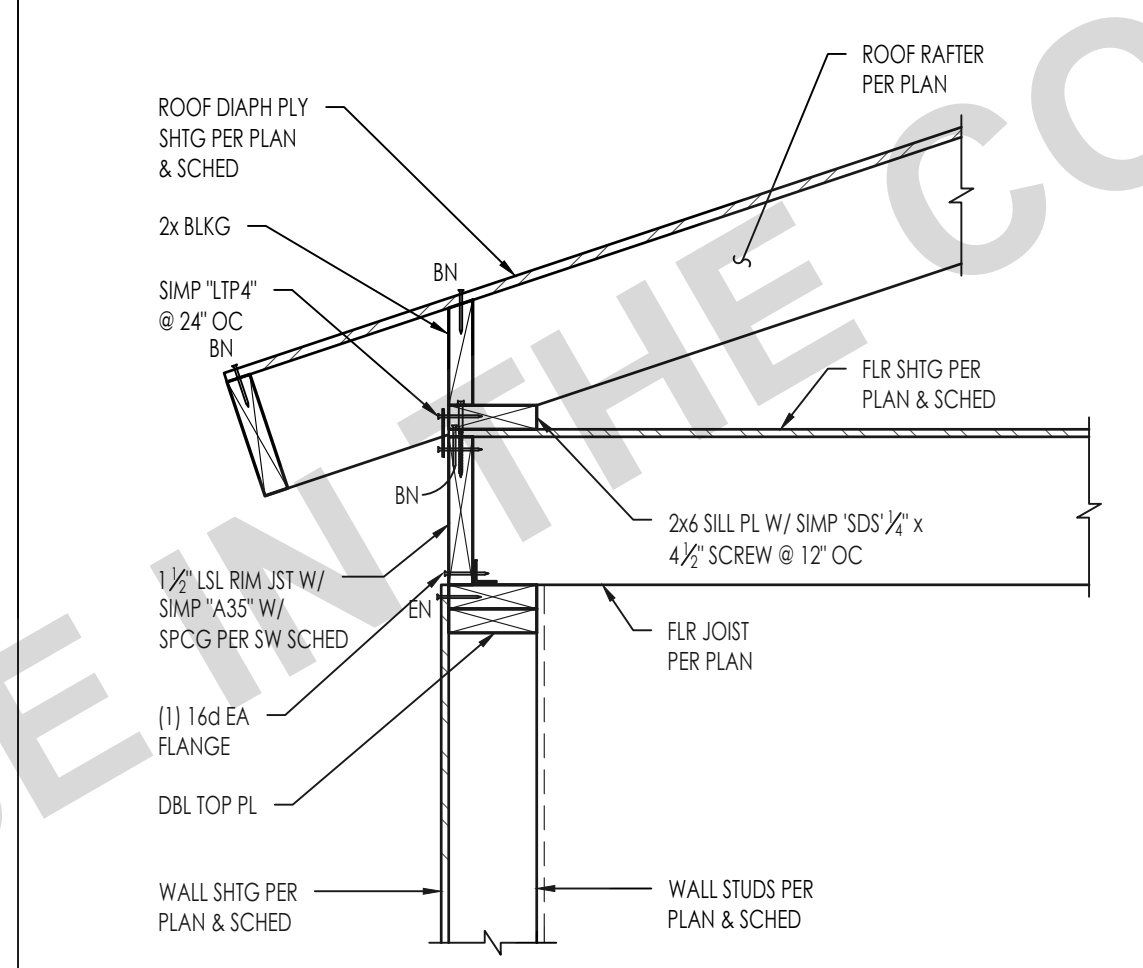
ROOF RAFTER ABOVE BEAM 1" = 1'-0" 22



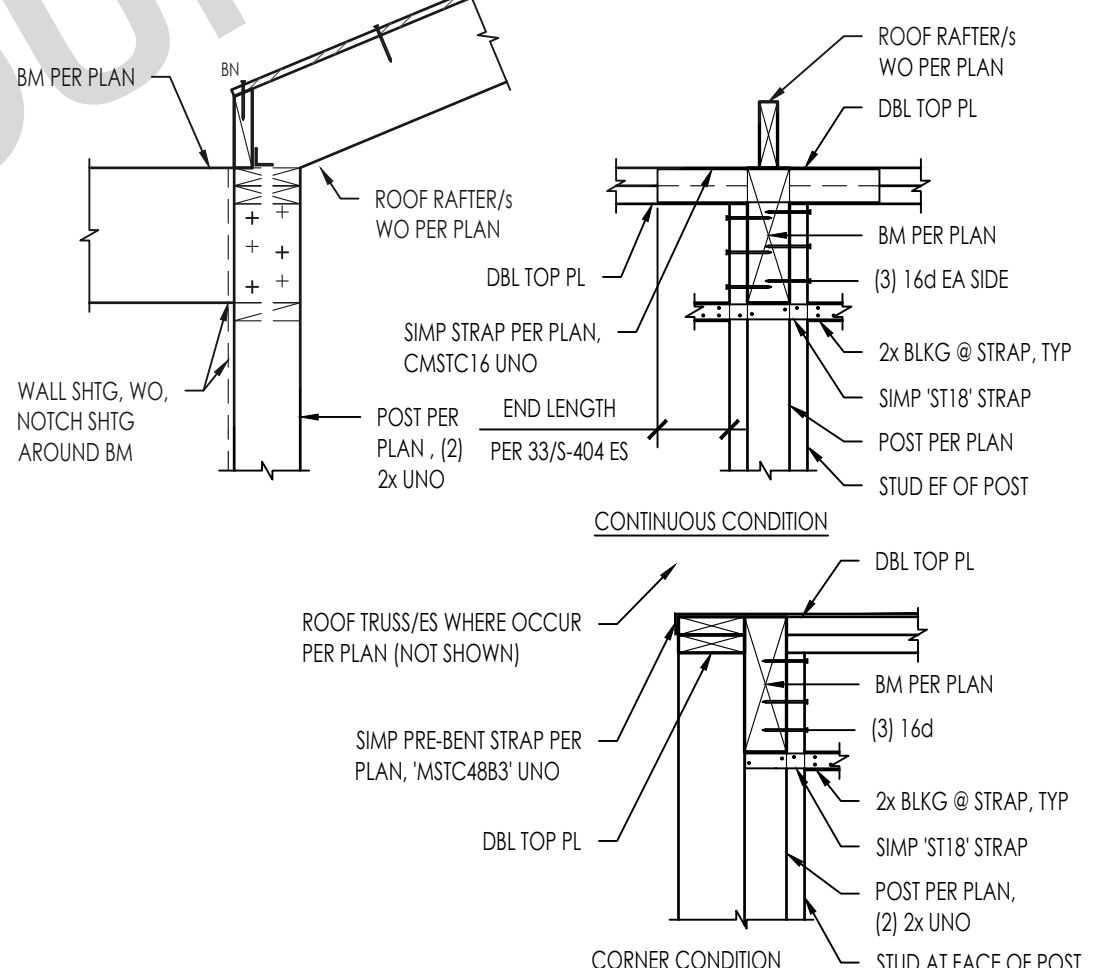
RAFTER @ EXTERIOR SHEAR WALL 1" = 1'-0" 12



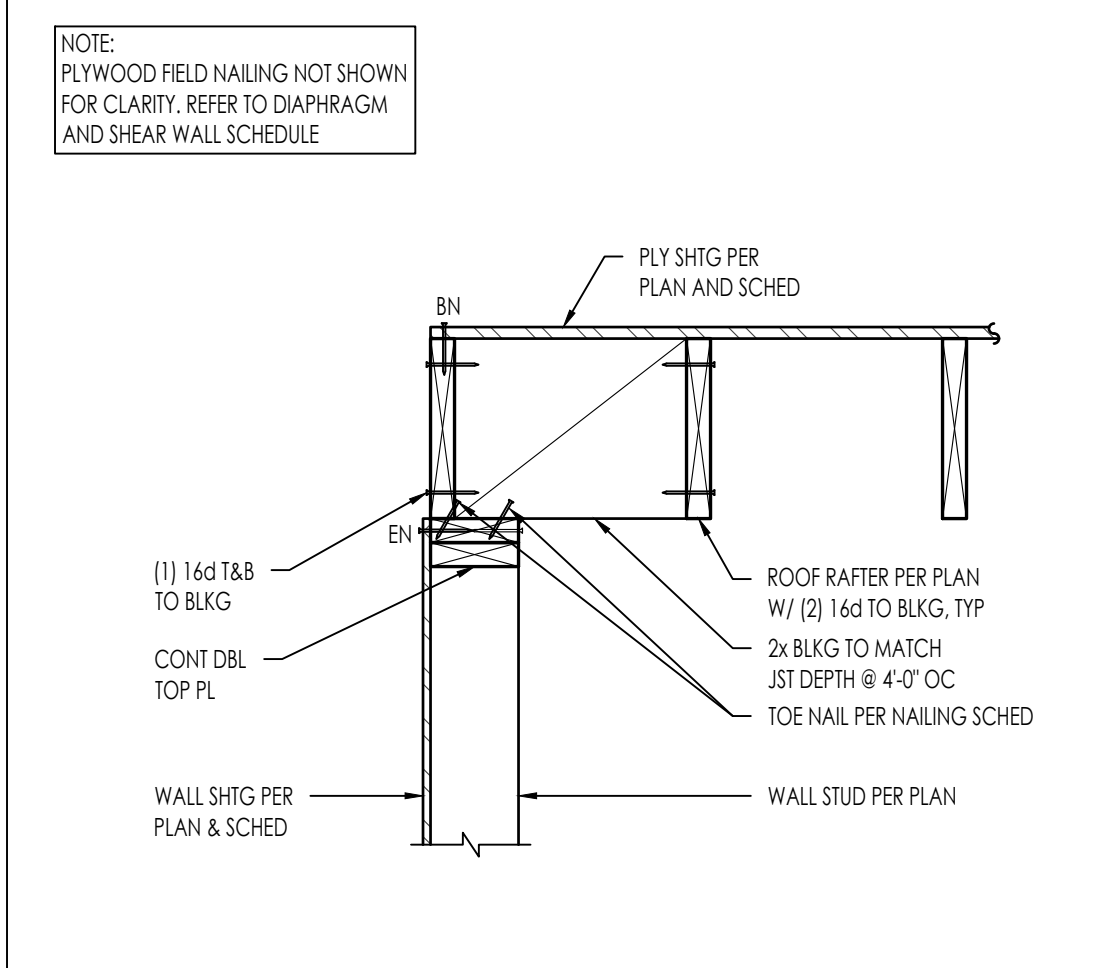
ROOF RAFTER ABOVE FLOOR (PARA JOIST) 1" = 1'-0" 53



BEAM POCKET THROUGH EXTERIOR WALL NTS or 3/4" = 1'-0" 33



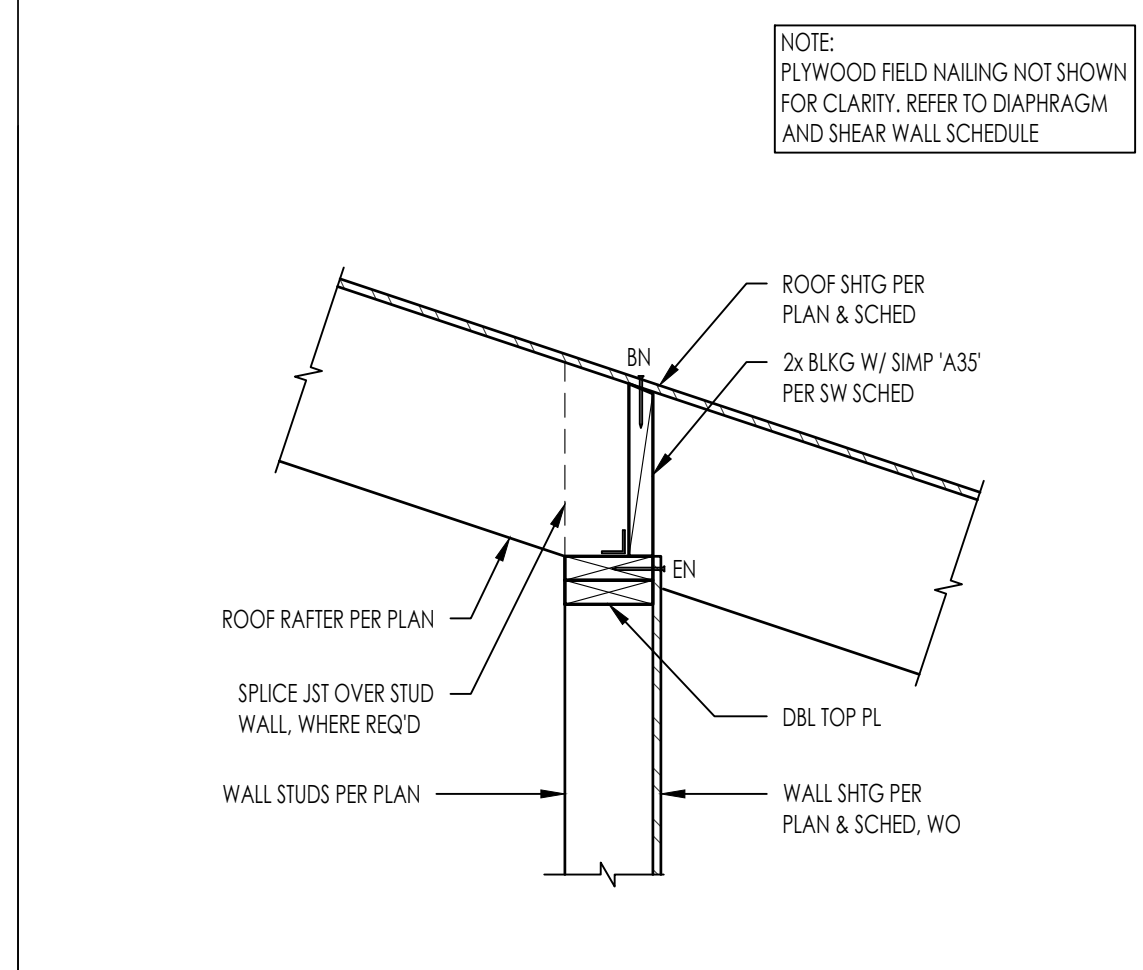
EXTERIOR SHEAR WALL (JOIST PARALLEL) 1" = 1'-0" 23



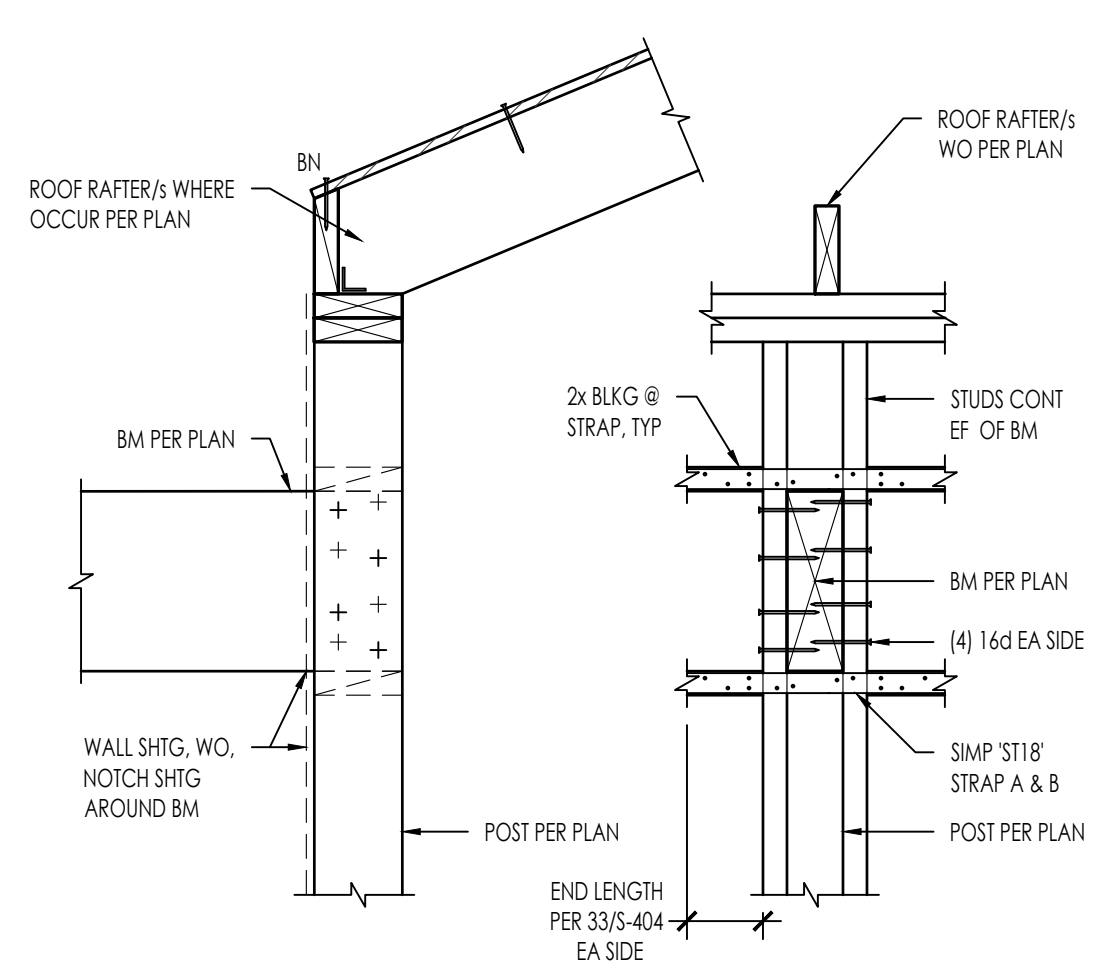
OUTLOOKER @ EXTERIOR SHEAR WALL 1" = 1'-0" 13



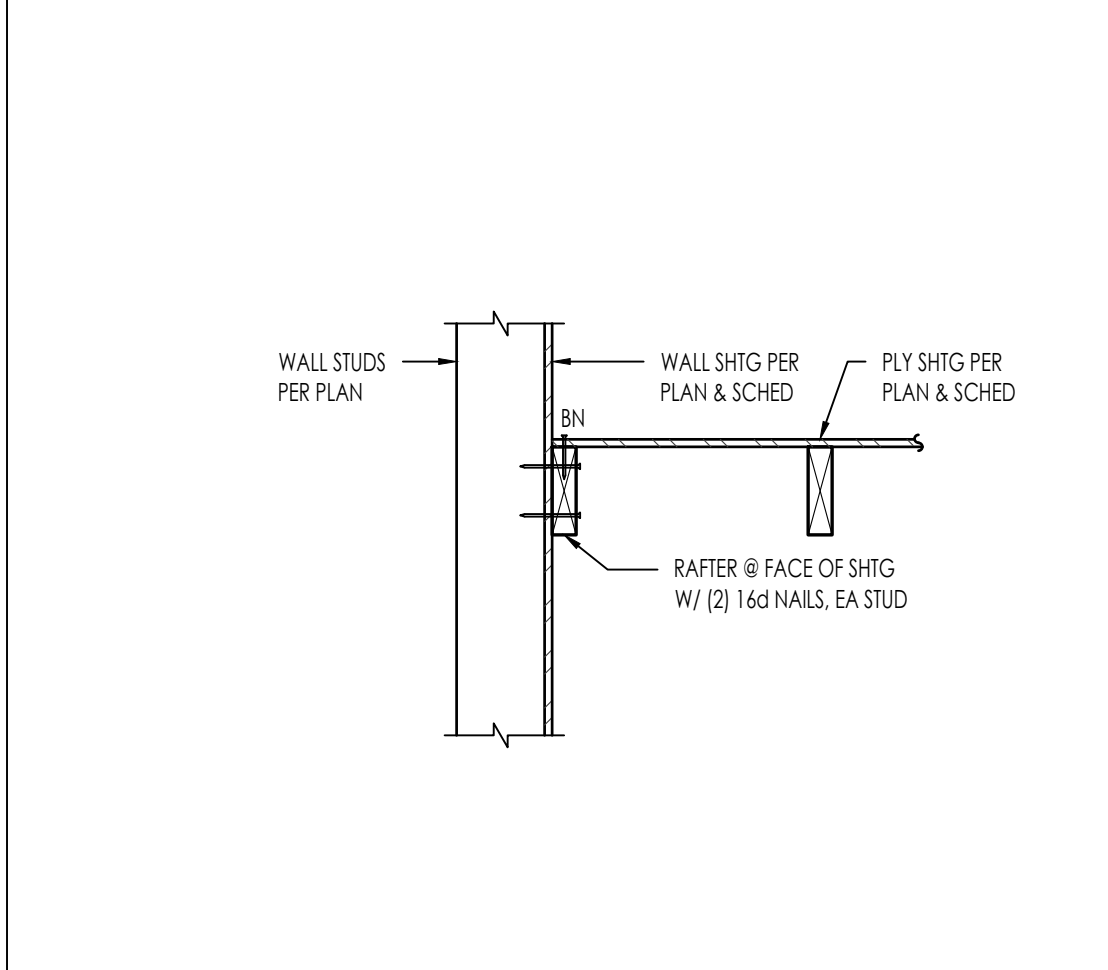
RAFTER TO WALL BELOW 1" = 1'-0" 54



BEAM POCKET THROUGH EXTERIOR WALL NTS 34



ROOF RAFTER TO EXTERIOR WALL (PARA) NTS or 1" = 1'-0" 24



ROOF RAFTER TO EXTERIOR WALL (PARA) NTS or 1" = 1'-0" 24



ROOF RAFTER TO EXTERIOR WALL (PARA) NTS or 1" = 1'-0" 24

COUNTY OF SAN LUIS OBISPO
ACCESSORY DWELLING UNIT
SAN LUIS OBISPO, CA
FLOOR FRAMING DETAILS

N:\2000\2727\01\c029-acc-county\add\Structural\ConDoc\Sheet\Rev\2727-01-C1022-5401.dwg, PLAN 5 - S421, Nov 20, 2023, 3:30pm, dspace

01	02	03	04	05	06	07	08	09
Dwelling Unit	Airflow (CFM)	Fan Efficacy (W/CFM)	IAQ Fan Type	Includes Heat/Energy Recovery?	IAQ Recovery Effectiveness - SRE/ASRE	Includes Fault Indicator Display?	HERS Verification	Status
Sfam IAQVentRpt	27	0.35	Exhaust	No	n/a / n/a	No	Yes	

01	02	03	04	05	06	07	08	09
Name	System Type	Heating Unit Name	Heating Equipment Count	Cooling Unit Name	Cooling Equipment Count	Fan Name	Distribution Name	Required Thermostat Type
HVAC System1	Heat pump heating/cooling	Heat Pump System 1	2	Heat Pump System 1	2	n/a	n/a	Setback

01	02	03	04	05	06	07	08	09	10	11	12	13
Name	System Type	Number of Units	Heating			Cooling			Zonally Controlled	Compressor Type	HERS Verification	
			Heating Efficiency Type	HSPF/HSP2/COP	Cap 47	Cap 17	Cooling Efficiency Type	SEER/SEER2				EER/CEER
Heat Pump System 1	VCHP-ductless	2	HSPF2	8	9000	7400	EER2SEER2	16	12.4	Not Zonal	Multi-speed	Heat Pump System 1-hers-htpump

01	02	03	04	05	06	07	08	09
Name	Verified Airflow	Airflow Target	Verified EER/SEER2	Verified SEER/SEER2	Verified Refrigerant Charge	Verified HSPF/HSPF2	Verified Heating Cap 47	Verified Heating Cap 17
Heat Pump System 1-hers-htpump	Not Required	0	Required	Required	Yes	Yes	Yes	Yes

01	02	03	04	05	06	07	08	09	10
Name	Certified Low-Static VCHP System	Airflow to Habitable Rooms	Ductless Units in Conditioned Space	Wall Mount Thermostat	Air Filter Sizing & Pressure Drop Rating	Low Leakage Ducts in Conditioned Space	Minimum Airflow per R43.3 and SC3.3.3.4.1	Certified non-continuous Fan	Indoor Fan not Running Continuously
Heat Pump System 1	Not required	Required	Required	Required	Not required	Not required	Not required	Not required	Not required

01	02	03	04	05	06	07	08	09
Name	System Type	Distribution Type	Water Heater Name	Number of Units	Solar Heating System	Compact Distribution	HERS Verification	Water Heater Name (#)
DHW Sys 1	Domestic Hot Water (DHW)	Standard	DHW Heater 1	1	n/a	Basic	n/a	DHW Heater 1 (1)

01	02	03	04	05	06	07	08
Name	# of Units	Tank Vol. (gal)	NEEA Heat Pump Brand	NEEA Heat Pump Model	Tank Location	Duct Inlet Air Source	Duct Outlet Air Source
DHW Heater 1	1	40	Generic	Tier3Generic40	TankZone	Zone 1	Zone 1

01	02	03	04	05	06	07
Dwelling Unit type	Water Heating System Name	Master Bath distance of furthest fixture to Water Heater (ft)	Kitchen distance of furthest fixture to Water Heater (ft)	Furthest Third furthest fixture to Water Heater (ft)	Compactness Factor	HERS Verification
Dwelling	DHW Sys 1	n/a	n/a	n/a	0.7	n/a

01	02	03	04	05	06	07
Name	Pipe Insulation	Parallel Piping	Compact Distribution	Compact Distribution Type	Recirculation Control	Shower Drain Water Heat Recovery
DHW Sys 1 - 1/1	Not Required	Not Required	Not Required	Basic	Not Required	Not Required



THESE PLANS ARE PROVIDED BY THE COUNTY OF SAN LUIS OBISPO AS PART OF THE PRE-APPROVED ADU PROGRAM AND ARE PUBLIC DOMAIN. THERE CANNOT BE A CHARGE TO PROVIDE THESE PLANS. NO ALTERATIONS TO THESE PLANS ARE ALLOWED. ALL ALTERATIONS MUST BE DONE UNDER A SEPARATE PERMIT ONCE THE BUILDING PERMIT FOR THE ADU HAS BEEN ISSUED AND FINAL INSPECTION COMPLETED. IF YOU DO NOT HAVE THE CONSTRUCTION KNOWLEDGE AND EXPERIENCE TO CONTRUCT THESE PLANS WITHOUT FURTHER DETAILS, IT IS RECOMMENDED YOU HIRE A CONTRACTOR TO DO THE CONSTRUCTION. THE CITY WILL NOT PROVIDE FURTHER INFORMATION OR DETAILS AND BUILDING INSPECTORS WILL NOT PROVIDE STEP BY STEP INSTRUCTIONS IN THE FIELD.

FOR USE IN THE COUNTY OF SAN LUIS OBISPO

COUNTY OF SAN LUIS OBISPO
 ACCESSORY DWELLING UNIT
 SAN LUIS OBISPO, CA
 ENERGY COMPLIANCE - PLAN 5B

Energy Use	Standard Design Source Energy (EDR1) (kBtu/ft ² -yr)	Standard Design TDV Energy (EDR2) (KTDV/ft ² -yr)	Proposed Design Source Energy (EDR1) (kBtu/ft ² -yr)	Proposed Design TDV Energy (EDR2) (KTDV/ft ² -yr)	Compliance Margin (EDR1)	Compliance Margin (EDR2)
Space Heating	1.19	5.63	2.15	17.33	-0.96	-11.7
Space Cooling	0.13	4.54	0.02	0.88	0.11	3.66
IAQ Ventilation	0.51	5.55	0.51	5.55	0	0
Water Heating	5.47	60.9	3.61	46.09	1.86	14.81
Self Utilization/Flexibility Credit				0		0
North Facing Efficiency Compliance Total	7.3	76.62	6.29	69.85	1.01	6.77
Space Heating	1.19	5.63	2.63	20.37	-1.44	-14.74
Space Cooling	0.13	4.54	0.04	1.07	0.09	3.47
IAQ Ventilation	0.51	5.55	0.51	5.55	0	0
Water Heating	5.47	60.9	3.62	45.97	1.85	14.93
Self Utilization/Flexibility Credit				0		0
East Facing Efficiency Compliance Total	7.3	76.62	6.8	72.96	0.5	3.66

CF1R-PRF-01E (Page 4 of 13)

Calculation Date/Time: 2023-10-30T12:14:09-07:00
 Input File Name: 1 Bedrm Plan -Plan 5b CZ 5.rbd22x

Compliance Margin	Energy Design Ratings		Proposed Design	
	Source Energy (EDR1) (kBtu/ft ² -yr)	Efficiency EDR (EDR1/Source Energy)	Source Energy (EDR1) (kBtu/ft ² -yr)	Efficiency EDR (EDR1/Source Energy)
Standard Design	7.1	43.8	6.9	69.9
North Facing	35.5	39.1	34.8	38.8
East Facing	35.5	39	34.8	38.8
South Facing	35.5	39	34.8	38.8
West Facing	35.5	39	34.8	38.8

HERS Provider: CZ-5-03
 Report Generated: 2023-10-30 12:14:36

CF1R-PRF-01E (Page 5 of 13)

Calculation Date/Time: 2023-10-30T12:14:09-07:00
 Input File Name: 1 Bedrm Plan -Plan 5b CZ 5.rbd22x

ENERGY USE INTENSITY	Standard Design (kBtu/ft ² -yr)	Proposed Design (kBtu/ft ² -yr)	Compliance Margin (kBtu/ft ² -yr)	Margin Percentage
North Facing				
Gross EUI ¹	35.89	34.54	1.35	3.76
Net EUI ²	35.89	34.54	1.35	3.76
East Facing				
Gross EUI ¹	35.89	34.82	1.07	2.98
Net EUI ²	35.89	34.82	1.07	2.98
South Facing				
Gross EUI ¹	35.89	34.52	1.37	3.82
Net EUI ²	35.89	34.52	1.37	3.82
West Facing				
Gross EUI ¹	35.89	34.45	1.44	4.01
Net EUI ²	35.89	34.45	1.44	4.01

Notes:
 1. Gross EUI is Energy Use Total (not including PV) / Total Building Area.
 2. Net EUI is Energy Use Total (including PV) / Total Building Area.

HERS Provider: CZ-5-03
 Report Generated: 2023-10-30 12:14:36

CF1R-PRF-01E (Page 6 of 13)

Calculation Date/Time: 2023-10-30T12:14:09-07:00
 Input File Name: 1 Bedrm Plan -Plan 5b CZ 5.rbd22x

GENERAL INFORMATION	Project Name	Residential Building
01	Run Type	File 24 Analysis
02	Climate Zone	3
03	Building Type	Single Family
04	Project Scope	Newly Constructed
05	Addition Code	None
06	Existing Code	None
07	Total Code	None
08	ADU Bedroom Count	1
09	ADU Conditioned Floor Area	403.2
10	ADU Unconditioned Floor Area	0
11	ADU Total Floor Area	403.2
12	ADU Conditioned Floor Area	403.2
13	ADU Unconditioned Floor Area	0
14	ADU Total Floor Area	403.2
15	ADU Conditioned Floor Area	403.2
16	ADU Unconditioned Floor Area	0
17	ADU Total Floor Area	403.2
18	ADU Conditioned Floor Area	403.2
19	ADU Unconditioned Floor Area	0
20	ADU Total Floor Area	403.2
21	ADU Conditioned Floor Area	403.2
22	ADU Unconditioned Floor Area	0
23	ADU Total Floor Area	403.2

HERS Provider: CZ-5-03
 Report Generated: 2023-10-30 12:14:36

CF1R-PRF-01E (Page 7 of 13)

Calculation Date/Time: 2023-10-30T12:14:09-07:00
 Input File Name: 1 Bedrm Plan -Plan 5b CZ 5.rbd22x

COMPLIANCE RESULTS	01	02	03
01	Building Compliance with California Performance	Yes	Yes
02	This building incorporates features that require field verification by a certified HERS rater under the supervision of a CEC-approved HERS provider.	Yes	Yes
03	This building incorporates one or more optional features below.	Yes	Yes

HERS Provider: CZ-5-03
 Report Generated: 2023-10-30 12:14:36

REQUIRED PV SYSTEMS	01	02	03	04	05	06	07	08	09	10	11	12
DC System Size (kWdc)	Exception	Module Type	Array Type	Power Electronics	CFI	Azimuth (deg)	Tilt Input	Array Angle (deg)	Tilt: [x in 12]	Inverter Eff (%)	Annual Solar Access (%)	
0		Standard (14-17%)	Fixed	none	true	n/a	n/a	n/a	n/a	n/a	n/a	

- REQUIRED SPECIAL FEATURES
- The following are features that must be installed as condition for meeting the modeled energy performance for this computer analysis.
- PV exception 2: No PV required when minimum PV size (Section 150.1(c)(14) < 1.8 kWdc (0 kW)
 - Ceiling has high level of insulation
 - Variable capacity heat pump compliance option (verification details from VCHP Staff report, Appendix B, and RA3)
 - Compact distribution system basic credit
 - Northwest Energy Efficiency Alliance (NEEA) rated heat pump water heater; specific brand/model, or equivalent, must be installed

- HERS FEATURE SUMMARY
- The following is a summary of the features that must be field-verified by a certified HERS Rater as a condition for meeting the modeled energy performance for this computer analysis. Additional detail is provided in the building tables below. Registered CF2Rs and CF3Rs are required to be completed in the HERS Registry
- Quality insulation installation (QII)
 - Indoor air quality ventilation
 - Kitchen range hood
 - Verified EER/EER2
 - Verified SEER/SEER2
 - Verified Refrigerant Charge
 - Airflow in habitable rooms (SC3.1.4.1.7)
 - Verified HSPF2
 - Verified heat pump rated heating capacity
 - Wall-mounted thermostat in zones greater than 150 ft² (SC3.4.5)
 - Ductless indoor units located entirely in conditioned space (SC3.1.4.1.8)

ENERGY USE INTENSITY	Standard Design (kBtu/ft ² -yr)	Proposed Design (kBtu/ft ² -yr)	Compliance Margin (kBtu/ft ² -yr)	Margin Percentage
North Facing				
Gross EUI ¹	35.89	34.54	1.35	3.76
Net EUI ²	35.89	34.54	1.35	3.76
East Facing				
Gross EUI ¹	35.89	34.82	1.07	2.98
Net EUI ²	35.89	34.82	1.07	2.98
South Facing				
Gross EUI ¹	35.89	34.52	1.37	3.82
Net EUI ²	35.89	34.52	1.37	3.82
West Facing				
Gross EUI ¹	35.89	34.45	1.44	4.01
Net EUI ²	35.89	34.45	1.44	4.01

Notes:
 1. Gross EUI is Energy Use Total (not including PV) / Total Building Area.
 2. Net EUI is Energy Use Total (including PV) / Total Building Area.

HERS Provider: CZ-5-06
 Report Generated: 2023-10-30 12:14:36

ENERGY USE SUMMARY	Standard Design Source Energy (EDR1) (kBtu/ft ² -yr)	Standard Design TDV Energy (EDR2) (KTDV/ft ² -yr)	Proposed Design Source Energy (EDR1) (kBtu/ft ² -yr)	Proposed Design TDV Energy (EDR2) (KTDV/ft ² -yr)	Compliance Margin (EDR1)	Compliance Margin (EDR2)
Space Heating	1.19	5.63	2.17	17.25	-0.98	-11.62
Space Cooling	0.13	4.54	0.02	0.76	0.11	3.78
IAQ Ventilation	0.51	5.55	0.51	5.55	0	0
Water Heating	5.47	60.9	3.61	46.15	1.86	14.75
Self Utilization/Flexibility Credit				0		0
South Facing Efficiency Compliance Total	7.3	76.62	6.31	69.71	0.99	6.91
Space Heating	1.19	5.63	2.21	16.88	-1.02	-11.25
Space Cooling	0.13	4.54	0.05	1.46	0.08	3.08
IAQ Ventilation	0.51	5.55	0.51	5.55	0	0
Water Heating	5.47	60.9	3.6	45.77	1.87	15.13
Self Utilization/Flexibility Credit				0		0
West Facing Efficiency Compliance Total	7.3	76.62	6.37	69.66	0.93	6.96

OPAQUE SURFACE CONSTRUCTIONS	01	02	03	04	05	06	07	08
Construction Name	Surface Type	Construction Type	Framing	Total R-value	Mirror / Exterior Continuous R-value	U-factor	Assembly Layers	
R-19 Wall	Exterior Walls	Wood Framed Wall	2x6 @ 16 in. O.C.	R-19	None / None	0.074	Inside Finish: Gypsum Board Cavity / Frame: R-19 in 5/2 in. (R-18) / 2x6 Exterior Finish: 3 Coat Stucco	
R-38 Roof No Attic	Cathedral Ceilings	Wood Framed Ceiling	2x12 @ 16 in. O.C.	R-38	None / None	0.03	Roofing: Light Roof (Asphalt Shingle) Roof Deck: Wood Siding/sheathing/decking Cavity / Frame: R-38 / 2x12 Inside Finish: Gypsum Board	
Attic RoofZone 1	Attic Roofs	Wood Framed Ceiling	2x4 @ 24 in. O.C.	R-0	None / 0	0.644	Roofing: Light Roof (Asphalt Shingle) Roof Deck: Wood Siding/sheathing/decking Cavity / Frame: no insul. / 2x4	
R-38 Roof Attic	Ceilings (below attic)	Wood Framed Ceiling	2x4 @ 24 in. O.C.	R-38	None / None	0.025	Over Ceiling Joists: R-38 Insul. Cavity / Frame: R-9.1 / 2x4 Inside Finish: Gypsum Board	

BUILDING ENVELOPE - HERS VERIFICATION	01	02	03	04	05
Quality Insulation Installation (QII)	High R-value Spray Foam Insulation	Building Envelope Air Leakage	CFM50	CFM50	
Required	Not Required	N/A	n/a	n/a	

ATTIC	01	02	03	04	05	06	07	08
Name	Construction	Type	Roof Rise (x in 12)	Roof Reflectance	Roof Emittance	Radiant Barrier	Cool Roof	
Attic Zone 1	Attic RoofZone 1	Ventilated	4	0.1	0.85	Yes	No	

FENESTRATION / GLAZING	01	02	03	04	05	06	07	08	09	10	11	12	13	14
Name	Type	Surface	Orientation	Azimuth	Width (ft)	Height (ft)	Mult.	Area (ft ²)	U-factor	U-factor Source	SHGC	SHGC Source	Exterior Shading	
Window	Window	Front Wall	Front	0	16	0.3		16	0.3	NFRC	0.35	NFRC	Bug Screen	
Front Door	Window	Front Wall	Front	0	1	20		20	0.3	NFRC	0.35	NFRC	Bug Screen	
Upper Window(s)	Window	Front Wall	Front	0	1	9		9	0.3	NFRC	0.35	NFRC	Bug Screen	
Window 2	Window	Left Wall	Left	90	1	6		6	0.3	NFRC	0.35	NFRC	Bug Screen	
Window 3	Window	Rear Wall	Back	180	1	34		34	0.3	NFRC	0.35	NFRC	Bug Screen	
Upper Window	Window	Rear Wall	Back	180	1	9		9	0.3	NFRC	0.35	NFRC	Bug Screen	
Window 4	Window	Right Wall	Right	270	1	25		25	0.3	NFRC	0.35	NFRC	Bug Screen	

SLAB FLOORS	01	02	03	04	05	06	07	08
Name	Zone	Area (ft ²)	Perimeter (ft)	Edge Insul. R-value and Depth	Edge Insul. R-value and Depth	Carpeted Fraction	Heated	
Slab	Zone 1	403.2	89.2	none	0	80%	No	

BUILDING - FEATURES INFORMATION	01	02	03	04	05	06	07
Project Name	Conditioned Floor Area (ft ²)	Number of Dwelling Units	Number of Bedrooms	Number of Zones	Number of Ventilation Cooling Systems	Number of Water Heating Systems	
Residential Building	403.2	1	1	1	0	1	

ZONE INFORMATION	01	02	03	04	05	06	07
Zone Name	Zone Type	HVAC System Name	Zone Floor Area (ft ²)	Avg. Ceiling Height	Water Heating System 1	Status	
Zone 1	Conditioned	HVAC System1	403.2	8	DHW Sys 1	New	

OPAQUE SURFACES	01	02	03	04	05	06	07	08
Name	Zone	Construction	Azimuth	Orientation	Gross Area (ft ²)	Window and Door Area (ft ²)	Tilt (deg)	
Front Wall	Zone 1	R-19 Wall	0	Front	314	45	90	
Left Wall	Zone 1	R-19 Wall	90	Left				

01	02	03	04	05	06	07	08	09
Dwelling Unit	Airflow (CFM)	Fan Efficacy (W/CFM)	IAQ Fan Type	Includes Heat/Energy Recovery?	IAQ Recovery Effectiveness - SRE/ASRE	Includes Fault Indicator Display?	HERS Verification	Status
Sfam IAQVentRpt	27	0.35	Exhaust	No	n/a / n/a	No	Yes	

01	02	03	04	05	06	07	08	09
Name	System Type	Heating Unit Name	Heating Equipment Count	Cooling Unit Name	Cooling Equipment Count	Fan Name	Distribution Name	Required Thermostat Type
HVAC System1	Heat pump heating/cooling	Heat Pump System 1	2	Heat Pump System 1	2	n/a	n/a	Setback

01	02	03	04	05	06	07	08	09	10	11	12	13
Name	System Type	Number of Units	Heating			Cooling			Zonally Controlled	Compressor Type	HERS Verification	
			Heating Efficiency Type	HSPF/HSP2/COP	Cap 47	Cap 17	Cooling Efficiency Type	SEER/SEER2				EER/CEER
Heat Pump System 1	VCHP-ductless	2	HSPF2	8	9000	7400	EER2SEER2	16	12.4	Not Zonal	Multi-speed	Heat Pump System 1-hers-htpump

01	02	03	04	05	06	07	08	09
Name	Verified Airflow	Airflow Target	Verified EER/SEER2	Verified SEER/SEER2	Verified Refrigerant Charge	Verified HSPF/HSPF2	Verified Heating Cap 47	Verified Heating Cap 17
Heat Pump System 1-hers-htpump	Not Required	0	Required	Required	Yes	Yes	Yes	Yes

01	02	03	04	05	06	07	08	09	10
Name	Certified Low-Static VCHP System	Airflow to Habitable Rooms	Ductless Units in Conditioned Space	Wall Mount Thermostat	Air Filter Sizing & Pressure Drop Rating	Low Leakage Ducts in Conditioned Space	Minimum Airflow per RA3.3 and SC3.3.3.4.1	Certified non-continuous Fan	Indoor Fan not Running Continuously
Heat Pump System 1	Not required	Required	Required	Required	Not required	Not required	Not required	Not required	Not required

01	02	03	04	05	06	07	08	09
Name	System Type	Distribution Type	Water Heater Name	Number of Units	Solar Heating System	Compact Distribution	HERS Verification	Water Heater Name (#)
DHW Sys 1	Domestic Hot Water (DHW)	Standard	DHW Heater 1	1	n/a	Basic	n/a	DHW Heater 1 (1)

01	02	03	04	05	06	07	08
Name	# of Units	Tank Vol. (gal)	NEEA Heat Pump Brand	NEEA Heat Pump Model	Tank Location	Duct Inlet Air Source	Duct Outlet Air Source
DHW Heater 1	1	40	Generic	Tier3Generic40	TankZone	Zone 1	Zone 1

01	02	03	04	05	06	07
Dwelling Unit type	Water Heating System Name	Master Bath distance of furthest fixture to Water Heater (ft)	Kitchen distance of furthest fixture to Water Heater (ft)	Furthest Third furthest fixture to Water Heater (ft)	Compactness Factor	HERS Verification
Dwelling	DHW Sys 1	n/a	n/a	n/a	0.7	n/a

01	02	03	04	05	06	07
Name	Pipe Insulation	Parallel Piping	Compact Distribution	Compact Distribution Type	Recirculation Control	Shower Drain Water Heat Recovery
DHW Sys 1 - 1/1	Not Required	Not Required	Not Required	Basic	Not Required	Not Required



THESE PLANS ARE PROVIDED BY THE COUNTY OF SAN LUIS OBISPO AS PART OF THE PRE-APPROVED ADU PROGRAM AND ARE PUBLIC DOMAIN. THERE CANNOT BE A CHARGE TO PROVIDE THESE PLANS. NO ALTERATIONS TO THESE PLANS ARE ALLOWED. ALL ALTERATIONS MUST BE DONE UNDER A SEPARATE PERMIT ONCE THE BUILDING PERMIT FOR THE ADU HAS BEEN ISSUED AND FINAL INSPECTION COMPLETED. IF YOU DO NOT HAVE THE CONSTRUCTION KNOWLEDGE AND EXPERIENCE TO CONTRUCT THESE PLANS WITHOUT FURTHER DETAILS, IT IS RECOMMENDED YOU HIRE A CONTRACTOR TO DO THE CONSTRUCTION. THE CITY WILL NOT PROVIDE FURTHER INFORMATION OR DETAILS AND BUILDING INSPECTORS WILL NOT PROVIDE STEP BY STEP INSTRUCTIONS IN THE FIELD.

FOR USE IN THE COUNTY OF SAN LUIS OBISPO

COUNTY OF SAN LUIS OBISPO
 ACCESSORY DWELLING UNIT
 SAN LUIS OBISPO, CA
 ENERGY COMPLIANCE - PLAN 5B

Item	Yes	No	Points	Weight	Weighted Points
Water-Saving Fixtures					
G2.1 Water-Saving Showerheads 1.8 gpm with Matching Compensation Valve	Yes	No	2	1	2
G2.2 Water-Saving Bathroom Faucets 1.0 gpm	Yes	No	1	1	1
G2.3 Water-Saving Toilets with a Maximum Performance (MPF) Threshold of No Less Than 100 Gpm @ 1.30 gal @ 1.1 gpf	Yes	No	1	1	1
G3. Pre-Plumbing for Greywater System	No	Yes	0	1	0
G4. Operational Greywater System	No	Yes	0	1	0
G5. Thermostatic Shower Valve or Auto-Diversion Tub Spout	No	Yes	0	1	0
HEATING, VENTILATION, AND AIR CONDITIONING					
H1. Sealed Combustion Units					
H1.1 Sealed Combustion Furnace	No	Yes	0	1	0
H1.2 Sealed Combustion or Heat Pump Water Heater	No	Yes	0	2	0
H2. High Performing Zoned Hydronic Radiant Heating System	No	Yes	0	1	0
H3. Effective Ductwork					
H3.1 Duct Mastic on Duct Joints and Seams	No	Yes	0	1	0
H3.2 Pressure Balance the Ductwork System	No	Yes	0	1	0
H4. ENERGY STAR® Bathroom Fans Per HVJ Standards with Air Flow Verified	No	Yes	0	1	0
H5. Advanced Practices for Cooling					
H5.1 ENERGY STAR® Ceiling Fans in Living Areas and Bedrooms	No	Yes	0	1	0
H6. Whole House Mechanical Ventilation Practices to Improve Indoor Air Quality					
H6.1 Meet ASHRAE 62.2-2016 Ventilation Residential Standards	Yes	No	1	1	1
H6.2 Advanced Ventilation Standards	No	Yes	0	2	0
H6.3 Outdoor Air is Filtered and Tempered	No	Yes	0	1	0
H7. Effective Range Hood Design and Installation					
H7.1 Effective Range Hood Ducting and Design	No	Yes	0	1	0
H7.2 Automatic Range Hood Control	No	Yes	0	1	0
H8. High Efficiency HVAC Filter (MERV 16+)	No	Yes	0	1	0
H9. Advanced Refrigerants	No	Yes	0	1	0
H10. No Fireplace or Sealed Gas Fireplace	Yes	No	1	1	1
H11. Humidity Control Systems	No	Yes	0	1	0
H12. Register Design Per ACCA Manual T	No	Yes	0	1	0
RENEWABLE ENERGY					
R1. Onsite Renewable Generation (Solar PV, Solar Thermal, and Wind)	Yes	No	25	25	25
ENERGY STORAGE					
E2. Low Carbon Homes					
E2.1 Near Zero Energy Home	Yes	No	2	2	2
E2.2 Low Carbon Home	No	Yes	0	4	0
E3. Energy Storage	No	Yes	0	1	0
E4. Solar Hot Water Systems to Preheat Domestic Hot Water	No	Yes	0	4	0
BUILDING PERFORMANCE AND TESTING					
B1. Third-Party Verification of Quality of Insulation Installation	No	Yes	0	1	0
B2. Supply and Return Air Flow Testing	No	Yes	0	1	0
B3. Mechanical Ventilation Testing	No	Yes	0	1	0
B4. All Electric or Combustion Appliance Safety Testing	No	Yes	0	1	0
WATER CONSERVATION					
W1. Building Performance Exceeds Title 24 Part 6	Yes	No	1	1	1
ENERGY EFFICIENCY					
J5.1 Home Outperforms Title 24 Part 6	Yes	No	1	1	1
J6. Title 24 Prepared and Signed by a CABEC Certified Energy Analyst	Yes	No	1	1	1
J7. Participation in Utility Program with Third-Party Plan Review	No	Yes	0	1	0
J8. ENERGY STAR® for Homes	No	Yes	0	1	0
J9. EPA Indoor airPlus Certification	No	Yes	0	2	0
J10. Blower Door Testing	No	Yes	0	3	0
INDOOR AIR QUALITY					
I1. Entryways Designed to Reduce Tracked-In Contaminants	No	Yes	0	1	0

Item	Yes	No	Points	Weight	Weighted Points
STRUCTURAL FRAME AND BUILDING DETAILS					
D1. Optimal Value Engineering					
D1.1 Joists, Rafters, and Studs at 24 Inches on Center	No	Yes	0	1	0
D1.2 Non-Load Bearing Door and Window Headers Sized for Load	No	Yes	0	1	0
D1.3 Advanced Framing Measures	No	Yes	0	2	0
D3. Construction Material Efficiencies	No	Yes	0	1	0
D3.1 Engineered Lumber					
D3.1.1 Engineered Joists and Headers	No	Yes	0	1	0
D3.2 Wood Joists or Web Trusses for Floors	No	Yes	0	1	0
D3.3 OSB for Soffits	Yes	No	0.5	0.5	0.5
D3.4 OSB for Wall and Roof Sheathing	Yes	No	0.5	0.5	0.5
D4. Insulated Headers	No	Yes	0	1	0
D5. FSC-Certified Wood					
D5.1 Dimensional Lumber, Studs, and Timber	No	Yes	0	5	0
D5.2 Panel Products	No	Yes	0	3	0
D6. Solid Wall Systems					
D6.1 At Least 90% of Floors	No	Yes	0	1	0
D6.2 At Least 90% of Exterior Walls	No	Yes	0	1	0
D6.3 At Least 90% of Roofs	No	Yes	0	1	0
D7. Energy Heels on Roof Trusses	No	Yes	0	1	0
D8. Overhangs and Gutters	Yes	No	1	1	1
D9. Reduced Pollution Entering the Home from the Garage					
D9.1 Detached Garage	No	Yes	0	2	0
D9.2 Mitigation Strategies for Attached Garage	No	Yes	0	1	0
D10. Structural Pest and Rot Controls					
D10.1 All Wood Located At Least 12 Inches Above the Soil	Yes	No	1	1	1
D10.2 Wood Framing Treated With Borate or Factory-impregnated, or Wall Materials Other Than Wood	Yes	No	0	1	0
D11. Moisture-Resistant Materials in Wet Areas (such as Kitchens, Bathrooms, Utility Rooms, and Basements)	Yes	No	2	1	2
EXTERIOR					
E1. Environmentally Preferable Decking	No	Yes	0	1	0
E2. Flashing Installation Third-Party Verified	No	Yes	0	2	0
E3. Rain Screen Wall System	No	Yes	0	2	0
E4. Durable and Non-Combustible Cladding Materials	Yes	No	1	1	1
E5. Durable Roofing Materials	Yes	No	1	1	1
E5.1 Durable and Fire Resistant Roofing Materials or Assembly	Yes	No	1	1	1
E6. Vegetated Roof	No	Yes	0	2	0
INSULATION					
F1. Insulation with 30% Post-Consumer or 60% Post-Industrial Recycled Content					
F1.1 Walls and Floors	No	Yes	0	0.5	0
F1.2 Ceilings	No	Yes	0	0.5	0
F2. Insulation that Meets the CDPH Standard Method—Residential for Low Emissions					
F2.1 Walls and Floors	No	Yes	0	0.5	0
F2.2 Ceilings	No	Yes	0	0.5	0
F3. Low GWP Insulation That Does Not Contain Fire Retardants					
F3.1 Cavity Walls and Floors	No	Yes	0	1	0
F3.2 Ceilings	No	Yes	0	1	0
F3.3 Interior and Exterior	No	Yes	0	1	0
PLUMBING					
G1. Efficient Distribution of Domestic Hot Water	Yes	No	1	1	1
G1.1 Insulated Hot Water Pipes	Yes	No	1	1	1
G1.2 WaterSense Volume Limit for Hot Water Distribution	No	Yes	0	1	0
G1.3 Increased Efficiency in Hot Water Distribution	No	Yes	0	2	0

Item	Yes	No	Points	Weight	Weighted Points
NEW HOME RATING SYSTEM, VERSION 8.0					
SINGLE FAMILY CHECKLIST					
MEASURES					
A. SITE					
A1. Construction Footprint	No	Yes	0	1	0
A2. Job Site Construction Waste Diversion					
A2.1 70% C&D Waste Diversion (Including Alternative Daily Cover)	Yes	No	2	2	2
A2.2 Recycling Rates from Third-Party Verified Mixed-Use Waste Facility	No	Yes	0	1	0
A3. Recycled Content Base Material	Yes	No	1	1	1
A4. Heat Island Effect Reduction (Non-Roof)	No	Yes	0	1	0
A5. Construction Environmental Quality Management Plan Including Flush-Out	No	Yes	0	1	0
A6. Stormwater Control: Prescriptive Path (Sector capped at 3 points)					
A6.1 Permeable Paving Material	No	Yes	0	1	0
A6.2 Filtration and Bio-Retention Features	No	Yes	0	1	0
A6.3 Non-Leaching Roofing Materials	Yes	No	1	1	1
A6.4 Smart Stormwater Control Design	No	Yes	0	1	0
A7. Stormwater Control: Performance Path	No	Yes	0	3	0
B. FOUNDATION					
B1. Fly Ash and/or Slag in Concrete	Yes	No	1	1	1
B2. Radon-Resistant Construction	No	Yes	0	2	0
B3. Foundation Drainage System	No	Yes	0	2	0
B4. Moisture Controlled Crawlspace	No	Yes	0	1	0
B5. Structural Pest Controls					
B5.1 Termite Shields and Separated Exterior Wood-to-Concrete Connections	No	Yes	0	1	0
B5.2 Plant Trunks, Bases, or Stems at Least 36 Inches from the Foundation	No	Yes	0	1	0
C. LANDSCAPE					
C1. Plants Grouped by Water Needs (Hydrozoning)	No	Yes	0	1	0
C2. Three Inches of Mulch in Planting Beds	No	Yes	0	1	0
C3. Resource Efficient Landscapes					
C3.1 No Invasive Species Listed by CalIPC	Yes	No	1	1	1
C3.2 Plants Chosen and Located to Grow to Natural Size	No	Yes	0	1	0
C3.3 Drought Tolerant, California Native, Mediterranean Species, or Other Appropriate Species	No	Yes	0	3	0
C4. Minimal Turf in Landscape					
C4.1 No Turf on Slopes Exceeding 10% and No Overhead Sprinklers Installed in Areas Less Than Eight Feet Wide	Yes	No	2	2	2
C4.2 Turf on a Small Percentage of Landscaped Area	No	Yes	0	1	0
C5. Trees to Moderate Building Temperature	No	Yes	0	1	0
C6. High-Efficiency Irrigation System	No	Yes	0	2	0
C7. One Inch of Compost in the Top Six to Twelve Inches of Soil	No	Yes	0	2	0
C8. Rainwater Harvesting System	No	Yes	0	3	0
C9. Recycled Wastewater Irrigation System	No	Yes	0	1	0
C10. Submeter or Dedicated Meter for Landscape Irrigation	No	Yes	0	2	0
C11. Landscape Meets Water Budget	No	Yes	0	1	0
C12. Environmentally Preferable Materials for 70% of Non-Plant Landscape Elements and Fencing	No	Yes	0	1	0

Item	Yes	No	Points	Weight	Weighted Points
ENERGY STORAGE					
E2. Low Carbon Homes					
E2.1 Near Zero Energy Home	Yes	No	2	2	2
E2.2 Low Carbon Home	No	Yes	0	4	0
E3. Energy Storage	No	Yes	0	1	0
E4. Solar Hot Water Systems to Preheat Domestic Hot Water	No	Yes	0	4	0
BUILDING PERFORMANCE AND TESTING					
B1. Third-Party Verification of Quality of Insulation Installation	No	Yes	0	1	0
B2. Supply and Return Air Flow Testing	No	Yes	0	1	0
B3. Mechanical Ventilation Testing	No	Yes	0	1	0
B4. All Electric or Combustion Appliance Safety Testing	No	Yes	0	1	0
WATER CONSERVATION					
W1. Building Performance Exceeds Title 24 Part 6	Yes	No	1	1	1
ENERGY EFFICIENCY					
J5.1 Home Outperforms Title 24 Part 6	Yes	No	1	1	1
J6. Title 24 Prepared and Signed by a CABEC Certified Energy Analyst	Yes	No	1	1	1
J7. Participation in Utility Program with Third-Party Plan Review	No	Yes	0	1	0
J8. ENERGY STAR® for Homes	No	Yes	0	1	0
J9. EPA Indoor airPlus Certification	No	Yes	0	2	0
J10. Blower Door Testing	No	Yes	0	3	0
INDOOR AIR QUALITY					
I1. Entryways Designed to Reduce Tracked-In Contaminants	No	Yes	0	1	0

Item	Yes	No	Points	Weight	Weighted Points
NEW HOME RATING SYSTEM, VERSION 8.0					
SINGLE FAMILY CHECKLIST					
MEASURES					
A. SITE					
A1. Construction Footprint	No	Yes	0	1	0
A2. Job Site Construction Waste Diversion					
A2.1 70% C&D Waste Diversion (Including Alternative Daily Cover)	Yes	No	2	2	2
A2.2 Recycling Rates from Third-Party Verified Mixed-Use Waste Facility	No	Yes	0	1	0
A3. Recycled Content Base Material	Yes	No	1	1	1
A4. Heat Island Effect Reduction (Non-Roof)	No	Yes	0	1	0
A5. Construction Environmental Quality Management Plan Including Flush-Out	No	Yes	0	1	0
A6. Stormwater Control: Prescriptive Path (Sector capped at 3 points)					
A6.1 Permeable Paving Material	No	Yes	0	1	0
A6.2 Filtration and Bio-Retention Features	No	Yes	0	1	0
A6.3 Non-Leaching Roofing Materials	Yes	No	1	1	1
A6.4 Smart Stormwater Control Design	No	Yes	0	1	0
A7. Stormwater Control: Performance Path	No	Yes	0	3	0
B. FOUNDATION					
B1. Fly Ash and/or Slag in Concrete	Yes	No	1	1	1
B2. Radon-Resistant Construction	No	Yes	0	2	0
B3. Foundation Drainage System	No	Yes	0	2	0
B4. Moisture Controlled Crawlspace	No	Yes	0	1	0
B5. Structural Pest Controls					
B5.1 Termite Shields and Separated Exterior Wood-to-Concrete Connections	No	Yes	0	1	0
B5.2 Plant Trunks, Bases, or Stems at Least 36 Inches from the Foundation	No	Yes	0	1	0
C. LANDSCAPE					
C1. Plants Grouped by Water Needs (Hydrozoning)	No	Yes	0	1	0
C2. Three Inches of Mulch in Planting Beds	No	Yes	0	1	0
C3. Resource Efficient Landscapes					
C3.1 No Invasive Species Listed by CalIPC	Yes	No	1	1	1
C3.2 Plants Chosen and Located to Grow to Natural Size	No	Yes	0	1	0
C3.3 Drought Tolerant, California Native, Mediterranean Species, or Other Appropriate Species	No	Yes	0	3	0
C4. Minimal Turf in Landscape					
C4.1 No Turf on Slopes Exceeding 10% and No Overhead Sprinklers Installed in Areas Less Than Eight Feet Wide	Yes	No	2	2	2
C4.2 Turf on a Small Percentage of Landscaped Area	No	Yes	0	1	0
C5. Trees to Moderate Building Temperature	No	Yes	0	1	0
C6. High-Efficiency Irrigation System	No	Yes	0	2	0
C7. One Inch of Compost in the Top Six to Twelve Inches of Soil	No	Yes	0	2	0
C8. Rainwater Harvesting System	No	Yes	0	3	0
C9. Recycled Wastewater Irrigation System	No	Yes	0	1	0
C10. Submeter or Dedicated Meter for Landscape Irrigation	No	Yes	0	2	0
C11. Landscape Meets Water Budget	No	Yes			